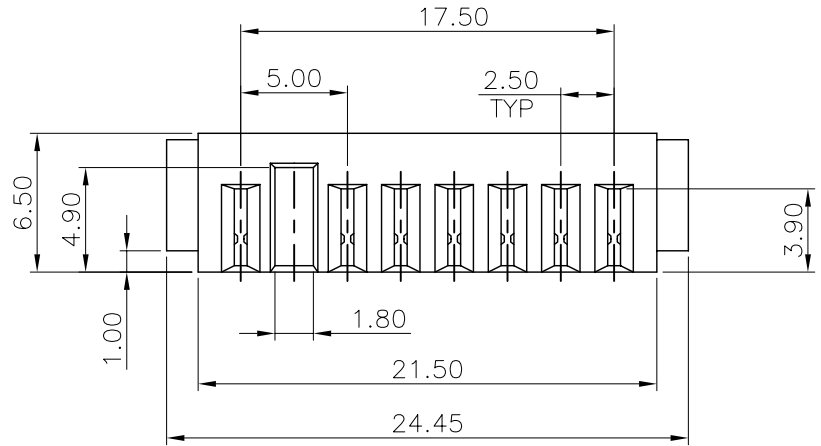
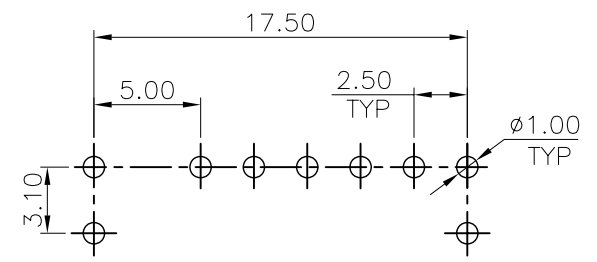
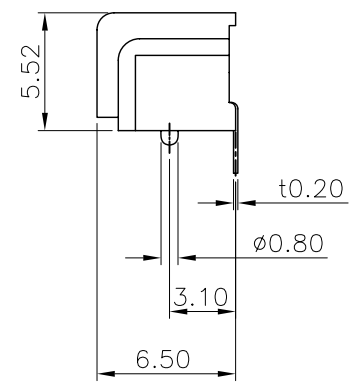
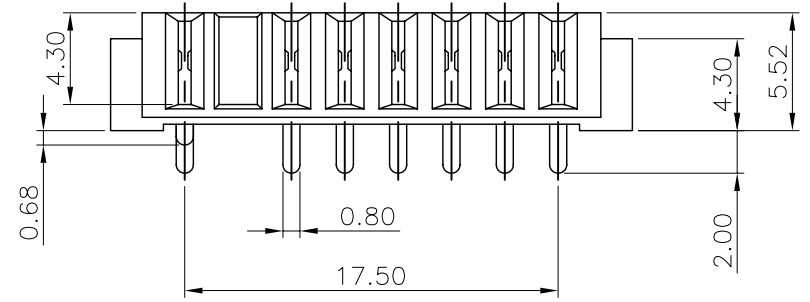


REV.	DESCRIPTION	DATE	DWN	APVD
2	PRELIMINARY	27MAR09	JC	BC



NOTES:
 1.MATERIAL:
 HOUSING: Thermoplastic UL-94 V-0 COLOR: BLACK
 CONTACT: PHOSPHOR BRONZE.
 2.FINISH:
 CONTACT: 5 μ " MIN. GOLD PLATED ON CONTACT AREA,
 GOLD FLASH ON SOLDERTAIL, 50 μ " MIN. NICKEL UNDERPLATED ALL.



TOLERANCE: ± 0.05
 RECOMMENDED PCB LAYOUT

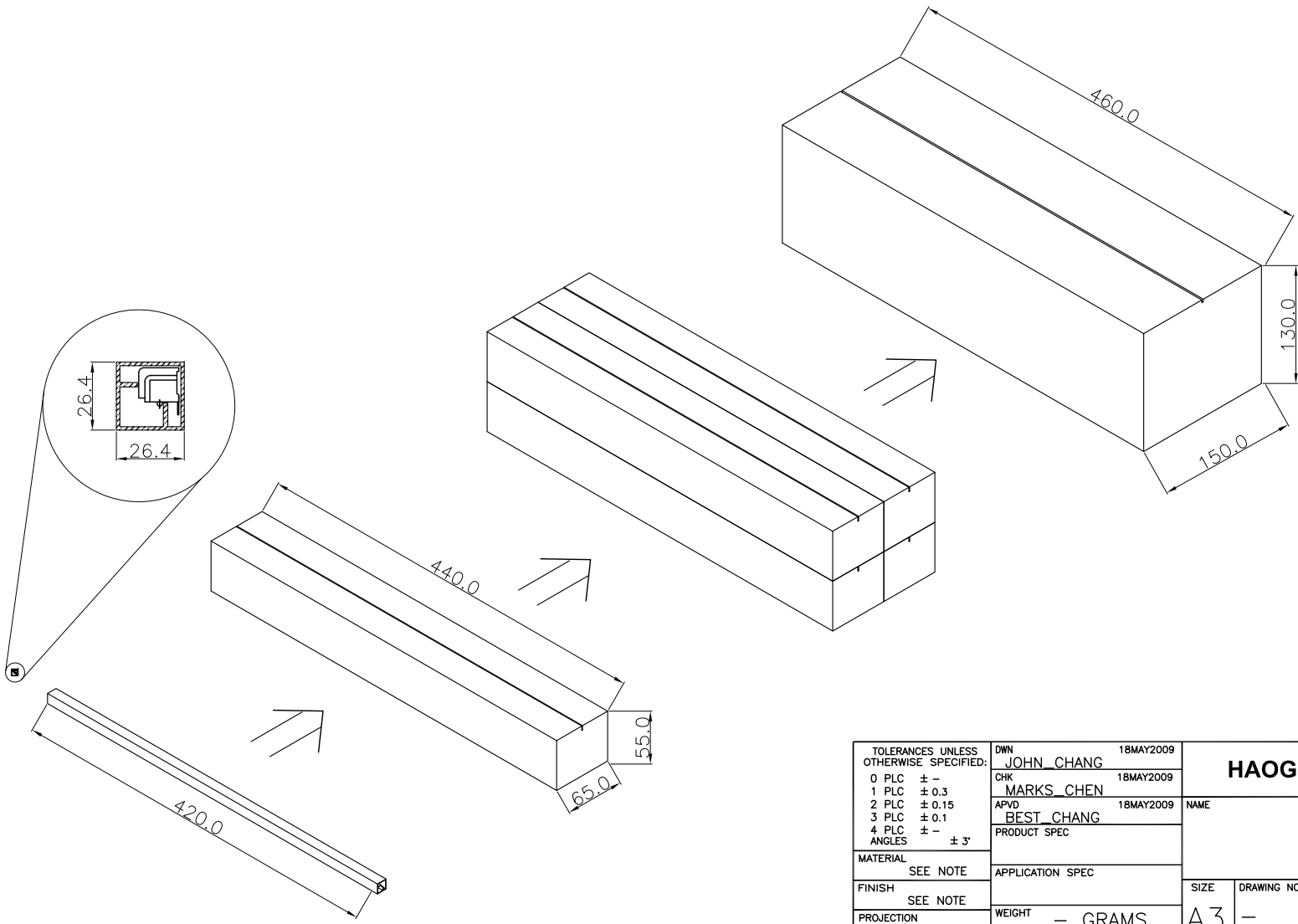
J02-0001-01
 PART NUMBER

TOLERANCES UNLESS OTHERWISE SPECIFIED: 0 PLC $\pm -$ 1 PLC ± 0.3 2 PLC ± 0.15 3 PLC ± 0.1 4 PLC $\pm -$ ANGLES $\pm 3^\circ$	DWN JOHN_CHANG 27MAR2009	HAOGUO XING YE SHARE CO.,LTD.			
	CHK MARKS_CHEN 27MAR2009				
	APVD BEST_CHANG 27MAR2009	NAME	BATTERY, R/A, DIP FEMALE		
	PRODUCT SPEC	APPLICATION SPEC	SIZE	DRAWING NO	RESTRICTED TO
MATERIAL SEE NOTE	WEIGHT - GRAMS	A3	-	-	
FINISH SEE NOTE	DIMENSIONS: MM	CUSTOMER DRAWING	SCALE -	SHEET 1 OF 1	REV 2
PROJECTION 					

REV.	DESCRIPTION	DATE	DWN	APVD

Notes:
 1. Tube Q'ty: 16 PCS (Both side with tampon).
 2. Inside Box Q'ty: 320 PCS (4*5 Tube).
 3. Outside Carton Q'ty: 1280 PCS (2*2 Inside Box) .

 N.W.=1.29 KGS
 G.W.=2.90 KGS



TOLERANCES UNLESS OTHERWISE SPECIFIED:		DWN JOHN_CHANG 18MAY2009		HAOGUO XING YE SHARE CO.,LTD.	
0 PLC	± -	CHK MARKS_CHEN 18MAY2009	NAME		
1 PLC	± 0.3	APVD BEST_CHANG 18MAY2009	PRODUCT SPEC	Battery conn. Package	
2 PLC	± 0.15	MATERIAL	APPLICATION SPEC	SIZE	DRAWING NO
3 PLC	± 0.1	FINISH	SEE NOTE	WEIGHT	RESTRICTED TO
4 PLC	± -	PROJECTION	SEE NOTE	— GRAMS	A3 -
ANGLES	± 3'	DIMENSIONS: MM		CUSTOMER DRAWING	SCALE
				SHEET	1 OF 1
				REV	1