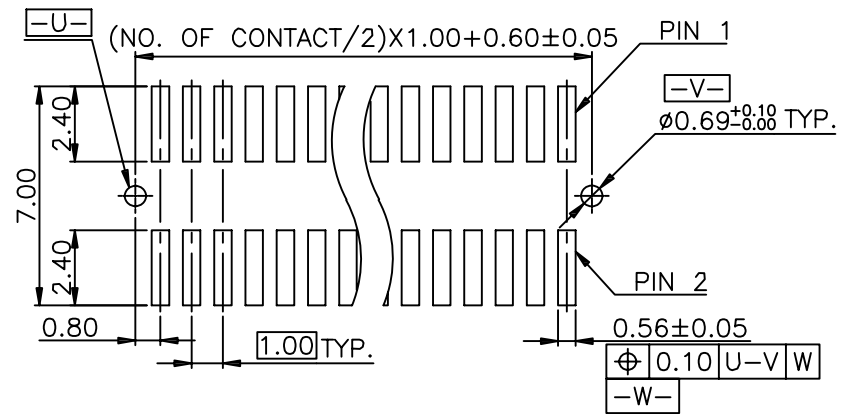
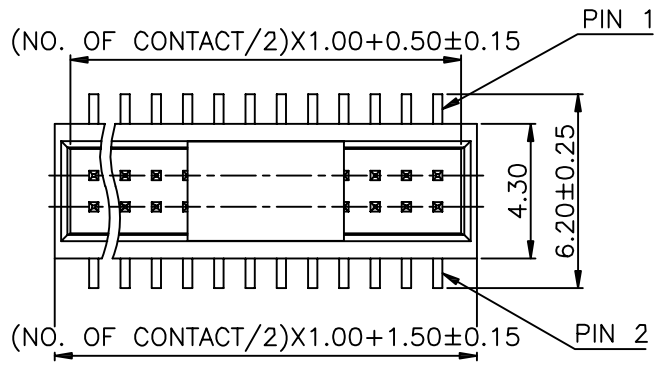
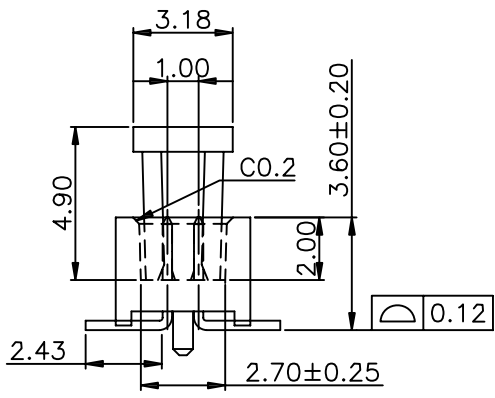
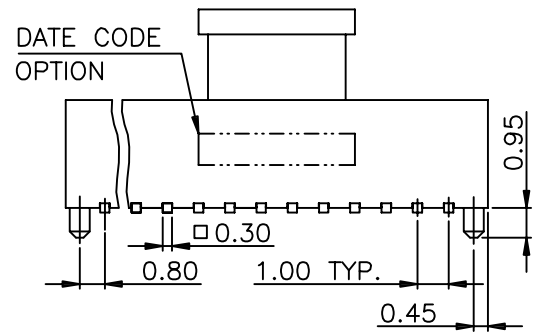


REV.	DESCRIPTION	DATE	DWN	APVD
A	RELEASED	20MAY09	MD	DZ

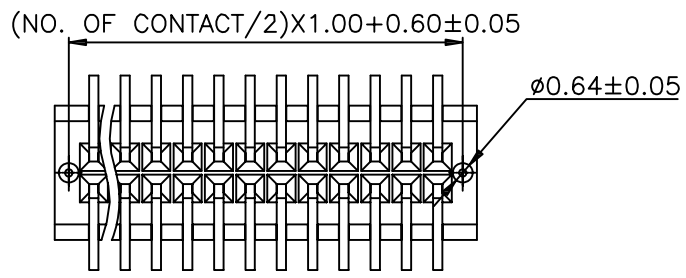


RECOMMEND PCB LAYOUT
PCB TOLERANCE:±0.05



NOTE:

- MATERIAL:
HOUSING: LCP, UL 94V-0, BLACK COLOR.
CONTACTS: PHOSPHOR BRONZE.
MYLAR: PI.
- FINISH:
CONTACTS: (SEE TABLE) GOLD PLATED ON CONTACT AREA, 2.54µm [100µ"] MIN. MATTE-TIN ON SOLDER TAIL, WITH ENTIRE CONTACT UNDERPLATED 1.27µm [50µ"] MIN. NICKEL.



TAPE & REEL	70	0.0762µm [3µ"]	J13-0002-02
		0.0254µm [1µ"]	J13-0002-01
PACKAGE	PIN NO.	MIN. GOLD THICKNESS	PART NUMBER

TOLERANCES UNLESS OTHERWISE SPECIFIED: 0 PLC ± - 1 PLC ± 0.3 2 PLC ± 0.2 3 PLC ± 0.15 4 PLC ± - ANGLES ± 3°		DWN 23June2009 MICHAEL DONG CHK 23June2009 GAVIN CHEN APVD 23June2009 DAVID ZHONG PRODUCT SPEC	Zhongxiang Electron Science CO.,LTD	
MATERIAL SEE NOTE		APPLICATION SPEC		
FINISH SEE NOTE		WEIGHT		
PROJECTION		DIMENSIONS: MM		
SIZE A3		DRAWING NO. J-13-0002		
CUSTOMER DRAWING		RESTRICTED TO		
SCALE -		SHEET 1 OF 2		
REV A		REV A		