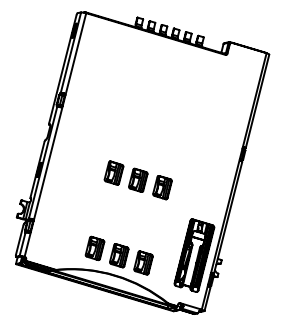


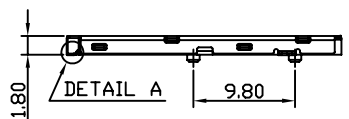
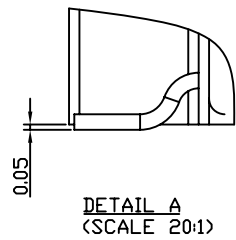
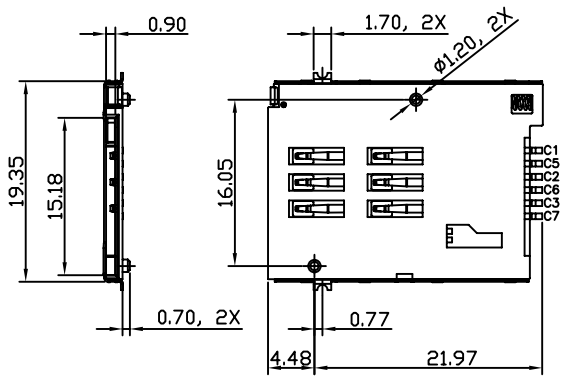
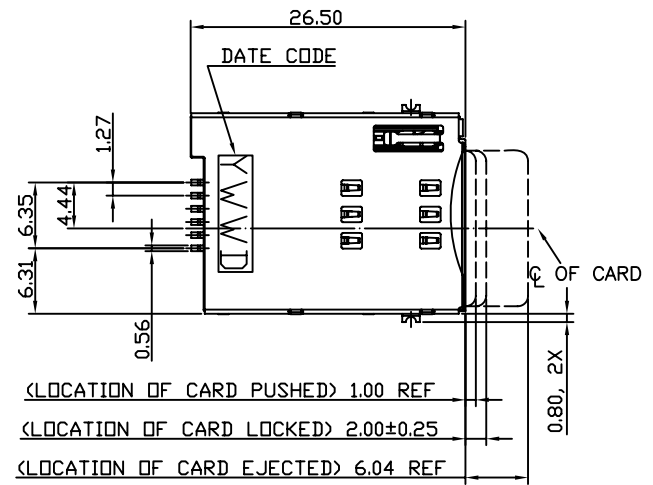
CUSTOMER COPY

- NOTES:
- MATERIAL:
HOUSING: LCP+30% G.F., UL 94V-0 RATED, COLOR BLACK.
CONTACTS: COPPER ALLOY.
SHIELD COVER: SUS304, 0.2T.
 - PLATING:
CONTACT AREA: HARD GOLD PLATING (SEE NOTE 8) OVER 1.27 μm(50 μ")MIN, NICKEL UNDERPLATING.
SOLDERING ZONE: 3.05 μm(120 μ")MIN. 100% TIN, OR LEAD-FREE PLATING PER PART NUMBER DESIGNATION, OVER NICKEL UNDERPLATING.
SHIELD COVER: GOLD FLASH NICKEL UNDERPLATING.
UNDERPLATING: 1.27 μm (50 μ")MIN. NICKEL ALLOVER.
 - CUTTING BURR ALLOWED: 0.03mm MAX.
 - THE DIMENSIONS MARKED WITH "■" ARE CRITICAL DIMENSIONS.
 - COPLANARITY IS 0.10mm MAX.
 - RoHS COMPLIANT PRODUCTS.
 - DATE CODE MARKING:



YEAR Y W W X
 WEEKDAY
 WEEK NO.

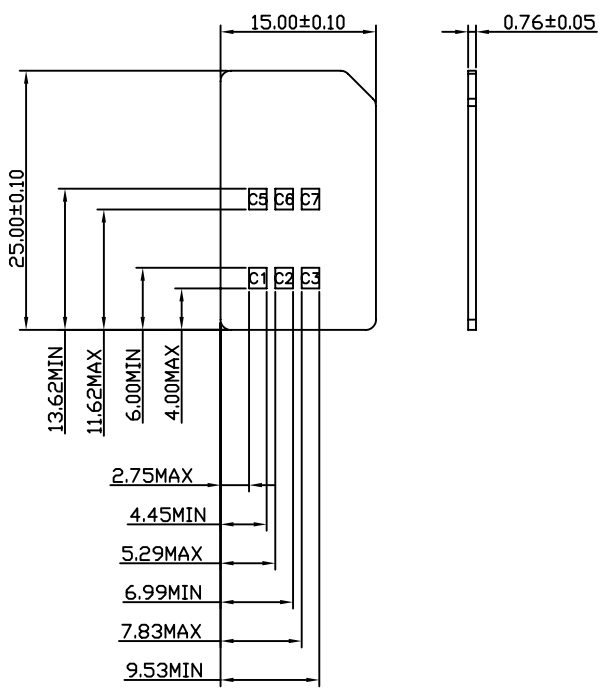
8. PART NUMBER: SIMA-72903-00X00
- 01: TRAY PACKAGE
 - 11: TAPE AND REEL PACKAGE
- Au CONTACT AREA/SOLDER IN SOLDERING ZONE.
 F: 10 μ" Au/120 μ" Tin, 100%.
 G: 15 μ" Au/120 μ" Tin, 100%.
 I: 30 μ" Au/120 μ" Tin, 100%.



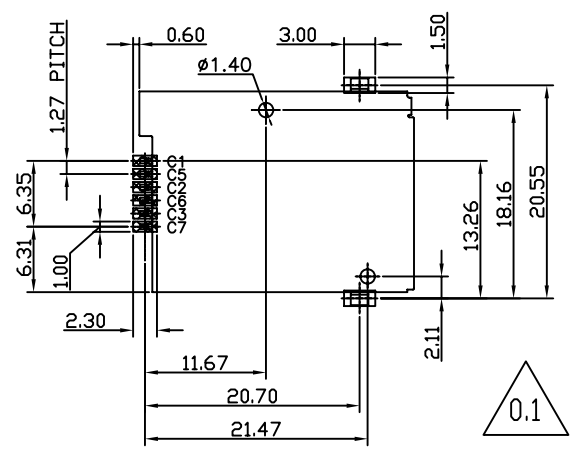
				THIRD ANGLE PROJECTION	SCALE 2:1	DESIGN UNITS mm	HAOGUO XING YE SHARE CO.,LTD.			
				GENERAL TOLERANCES (UNLESS SPECIFIED)	DRAWN BY SAM WANG	DATE 2009/05/22	THIS DRAWING CONTAINS INFORMATION THAT IS PROPRIETARY TO JINN SHYANG PRECISION INDUSTRIAL CO., LTD. AND SHOULD NOT BE USED WITHOUT WRITTEN PERMISSION			
					CHECKED BY		DATE	TITLE		
				4 PLACES ±0.10	APPROVED BY		DATE	SIM CARD CONNECTOR, 6 POS, TYPE 10.		
				3 PLACES ±0.15	ORDERING DATA:					
				2 PLACES ±0.20	SIMA-72903-00X00					
				1 PLACE ±0.20	DOCUMENT NO.		EC NO.	DWG REV.	SHEET NO.	SIZE
				ANGULAR ±5°	SIMA-72903-00-SD			0.1	1 OF 2	A3
REV.	DESCRIPTION	BY	DATE	QUALITY SYMBOLS						
0.1	RECOMMENDED PCB LAYOUT	林佳幸	2009/07/07							
0.0	PRELIMINARY	SAM WANG	2009/05/22							

CUSTOMER COPY

PIN DEFINITION						
NAME	C1	C2	C3	C5	C6	C7
TYPE	V _{cc}	RST	CLK	GND	V _{pp}	I/O



APPLICABLE CARD SIZE



TOLERANCE: ±0.05
RECOMMENDED PCB LAYOUT
(TOP VIEW)
SCALE 2:1

				 THIRD ANGLE PROJECTION	SCALE 2 : 1	DESIGN UNITS mm	HAOGUO XING YE SHARE CO.,LTD.	
				GENERAL TOLERANCES (UNLESS SPECIFIED)	DRAWN BY SAM WANG	DATE 2009/05/22	THIS DRAWING CONTAINS INFORMATION THAT IS PROPRIETARY TO JINN SHYANG PRECISION INDUSTRIAL CO., LTD. AND SHOULD NOT BE USED WITHOUT WRITTEN PERMISSION	
				4 PLACES ± --- ± ---	CHECKED BY	DATE		TITLE
	0.1	RECOMMENDED PCB LAYOUT	林佳幸	2009/07/07	3 PLACES ±0.10 ± ---	APPROVED BY	DATE	SIM CARD CONNECTOR, 6 POS, TYPE 10.
	0.0	PRELIMINARY	SAM WANG	2009/05/22	2 PLACES ±0.15 ± ---	ORDERING DATA: SIMA-72903-00X00		
					1 PLACE ±0.20 ± ---	DOCUMENT NO. SIMA-72903-00-SD	EC NO.	
REV.	DESCRIPTION	BY	DATE	QUALITY SYMBOLS 	ANGULAR ± 5°	DWG REV. 0.1	SHEET NO. 2 OF 2	SIZE A3