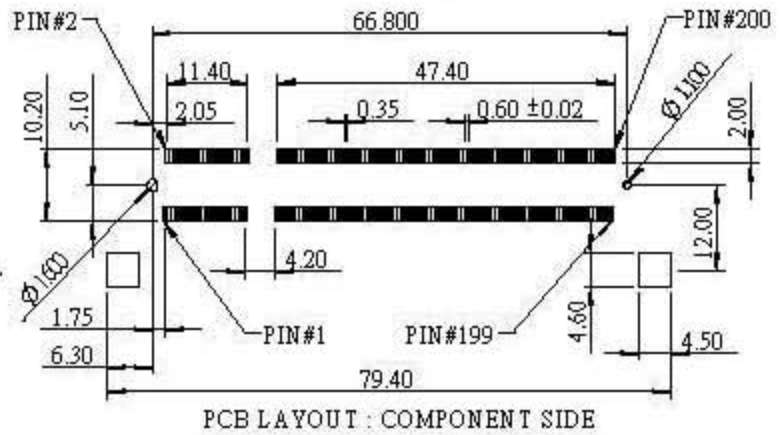


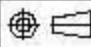
A-A (2:1)

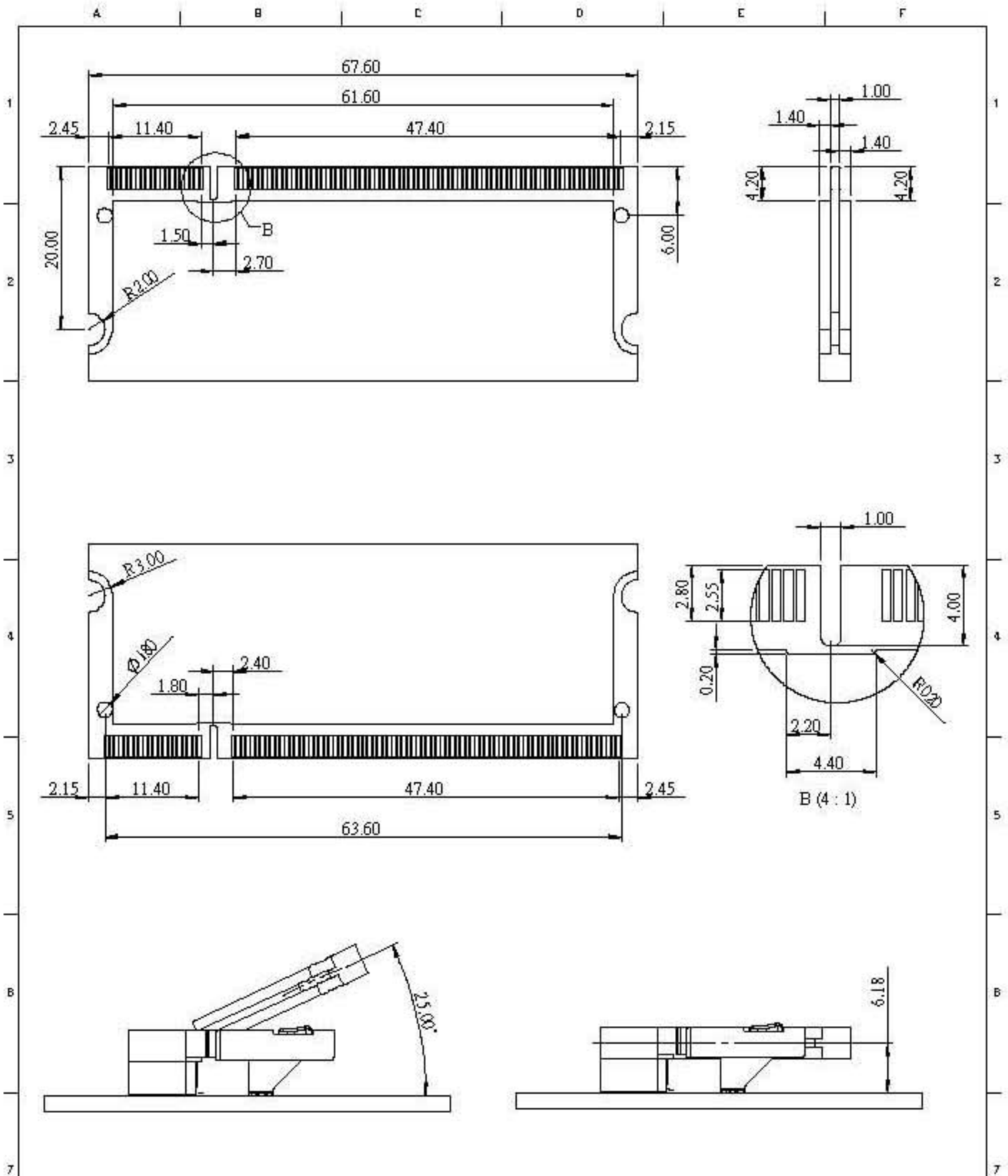
NOTE:

- SOLDERTAIL TO BE WITHIN 0.05 UPWARD AND 0.2 DOWNWARD FROM Z-DATUM PLACE, AND COPLANALITY OF SOLDERTAILS TO BE WITHIN 0.10. MEASUREMENT POINT IS SOLDERTAILS TIP.
- CONTACT PLATING: UNDERPLATE 50 μ "NICKEL, CONTACT AREA: GOLD 3 μ" SELECTIVE SOLDERTAILS AREA
- INSPECTION SYMBOL:
 ● : MANUFACTURER INSPECTION
 ◆ : Q.C INSPECTION



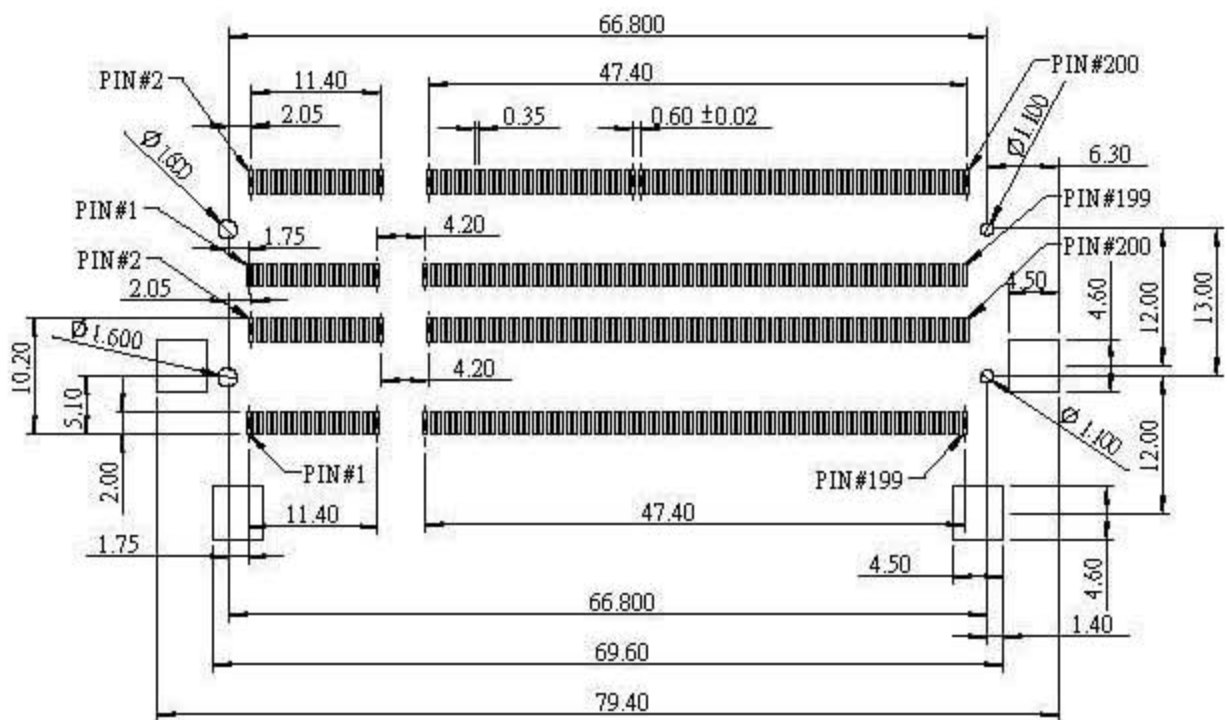
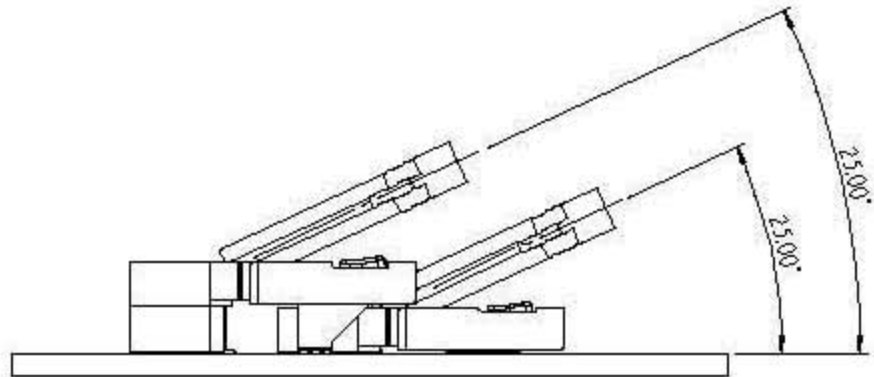
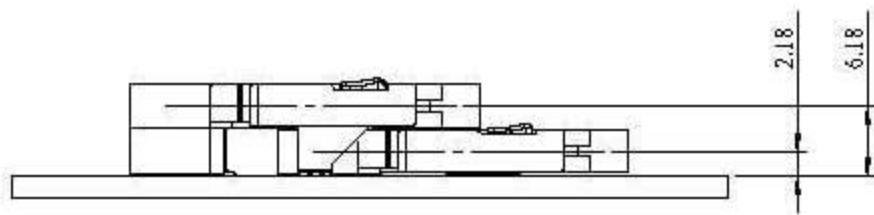
PCB LAYOUT : COMPONENT SIDE

				GENERAL TOLERANCE		DRAW:	PART NO: DDR0704A1BA80E
				X: ±0.30	X': ±2.00'	CHECKED:	TITLE: DDR50 DIMM200ASSEMBLY
				X: ±0.20	X': ±1.00'		APPROVE:
				XX: ±0.10	XX': ±0.50'		
				XXX: ±0.05	UNITS: mm	SHEET: 1/3	
REV.	ECO NO.	DESCRIPTION	DATE	 豪國興業股份有限公司			
MATERIAL:	FINISH:	DATE: 05 / 16 / 2007	REV. A				



				GENERAL TOLERANCE		DRAW:	PART NO:
				X. ±0.30	X' ±2.00'	Martin	DDR0704A1BA80E
				X ±0.20	X' ±1.00'	CHECKED:	TITLE:
				XX ±0.10	XX ±0.50'		DDR50 DIMM200ASSEMBLY
				XXX ±0.05		APPROVE:	DRAWING NO:
				UNITS:	SHEET:		
				mm	2 / 3		
REV.	ECO NO.	DESCRIPTION	DATE	 豪國興業股份有限公司			
MATERIAL:	FINISH:	DATE:	REV.				
		05 / 16 / 2007	A				

DDR S.O. DIMM 200P 4.0&8.0 OVERLAY FIGURE



PCB LAYOUT : COMPONENT SIDE (4.0&8.0 TYPE)

				GENERAL TOLERANCE		DRAW:	PART NO:
				X: ±0.30	X': ±2.00'	Martin	DDR0704A1BA80E
				X: ±0.20	X': ±1.00'	CHECKED:	TITLE:
				XX: ±0.10	XX': ±0.50'		DDR50 DIMM200PASSEMBLY
				XXX: ±0.05		APPROVE:	DRAWING NO:
				UNITS:	SHEET:		
				mm	3 / 3		
REV.	ECO NO.	DESCRIPTION	DATE	豪國興業股份有限公司			
MATERIAL:	FINISH:	DATE:	REV.				
		05 / 16 / 2007	A				