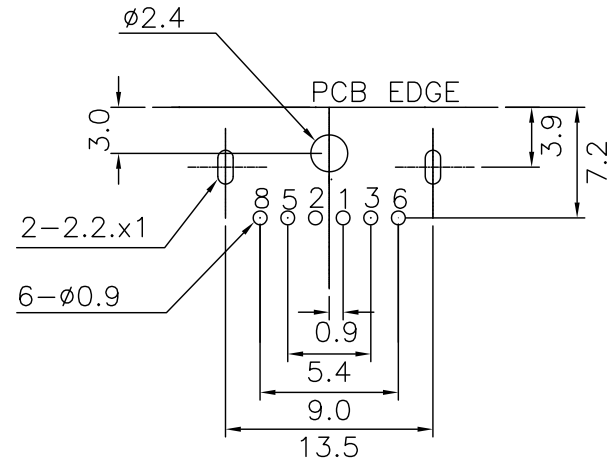
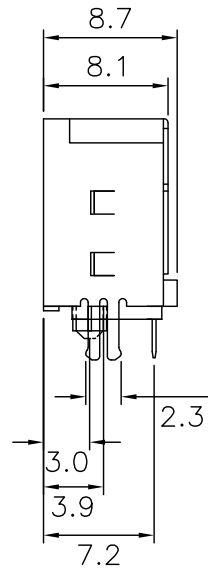
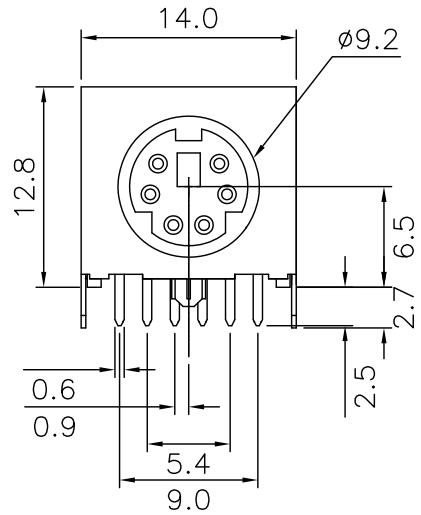
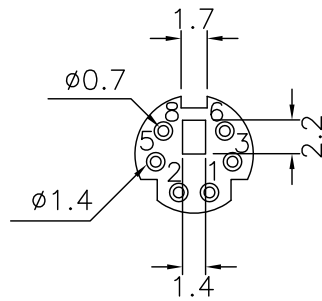
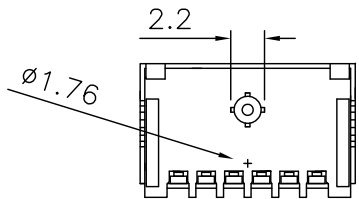


REV.	DESCRIPTION	DATE	DWN	APVD
1	PRELIMINARY	22MAY09	JC	BC



PCB LAYOUT
(BOTTOM VIEW)



NO.	NAME	MATERIAL	FINISH	Q'TY
1	HOUSING	NYLON PA9T G.F.	BLACK	1
2	CONTACT	PHOS. BRONZE T:0.2	Gold:1~3u"; Ni:40~60u"; TIN:120u" (100% pure Tin of lead free plating)	6
3	SHIELD	BRASS T:0.3	TIN PLATED TIN:120~200u"	1
4	BACK COVER	NYLON PA9T G.F.	BLACK	1

TOLERANCES UNLESS OTHERWISE SPECIFIED:		DWN 22MAY2009		HAOGUO XING YE SHARE CO.,LTD.					
0 PLC	± -	CHK 22MAY2009							
1 PLC	± 0.3	APVD 22MAY2009							
2 PLC	± 0.2	NAME							
3 PLC	± 0.1	PRODUCT SPEC		MINI DIN JACK SLIM FLAT DIP TYPE					
4 PLC	± -	APPLICATION SPEC							
ANGLES	± 3°	WEIGHT		SIZE	DRAWING NO	RESTRICTED TO			
MATERIAL	SEE NOTE	DIMENSIONS:		A3	J06-0005	-			
FINISH	SEE NOTE	MM	CUSTOMER DRAWING	SCALE	-	SHEET	1 of 1	REV	1
PROJECTION									

J06-0005-01
PART NUMBER