

PCB LAYOUT

SPECIFICATIONS:

ELECTRICAL SPECIFICATION

Contact Current Rating: 3 Amperes

Dielectric Withstanding Voltage:

AC 1000/60ses.r.m.s.

Insulation Resistance:

5000 Megohms MINIMUM at DC 500V

Contact Resistance:25 MilliOhms Maximum

Operating Tempetature:-55°C__+ 105°C

MECHANICAL CHARACTERISTICS:

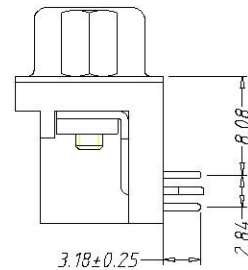
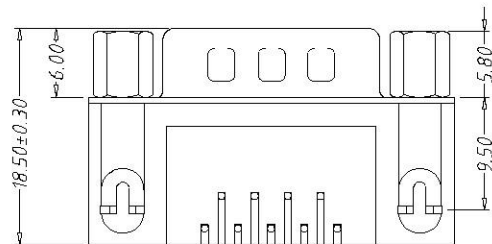
Contact Insertion Force: 300gfMax

Contact Separation Force;25gf Min

MATERIALS:

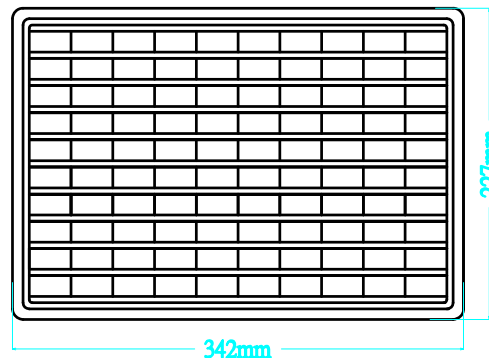
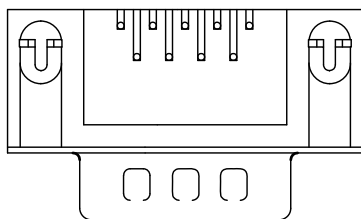
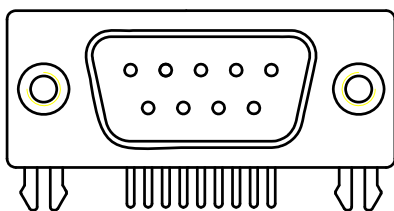
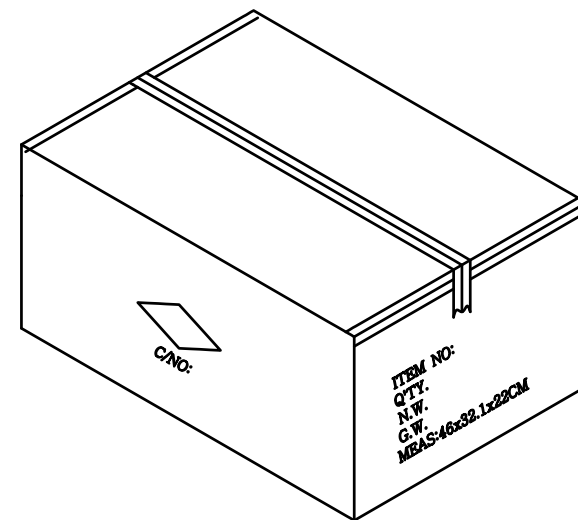
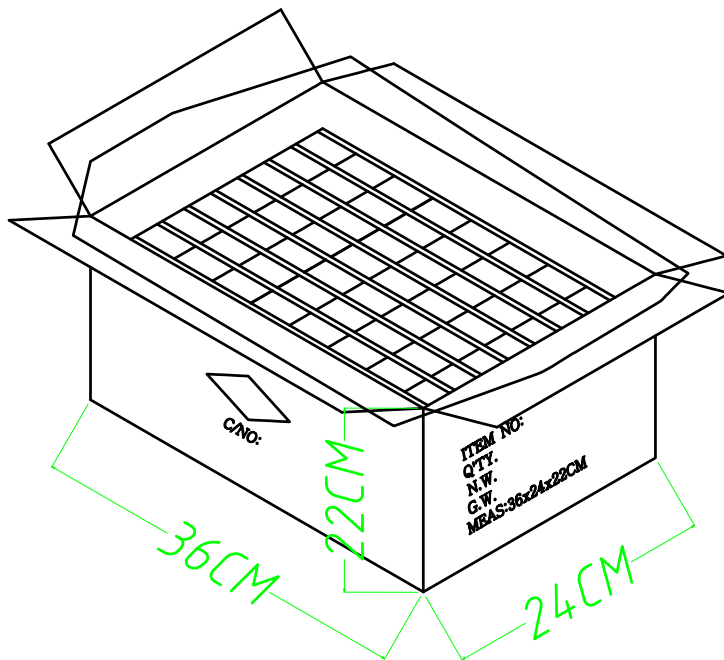
Contacts:Brass

Insulator: PBT



豪國興業股份有限公司

制圖Draw: 核對Checkde: 核準Approved:	Riter	品名Title: D-SUB DIP 90度 鉚鎖 黑色	頁次Sheet: 1 Of 1	公差Tolerance: .0±0.20 ANG: .00±0.10 .00±2°	單位Unit: MM	三角投影法:
	料號Part No: DR09PKN	圖紙Size: A 4	.000±0.05	比例Scale: 2.5 : 1	制圖日期Date: 06-05-04	



備註:
 每盤裝100PCS
 每箱裝10盤
 干燥對: 2包
 防水袋: 1PCS

豪國興業股份有限公司

制圖Draw:	品名Title: 90° DIP 7.2MM 9P FEMALE / MALE 銅合包裝規範	頁次Sheet: 1 Of 1	公差Tolerance: .0=±0.25 ANG: .00=±.2°	單位Unit: MM	三角投影法:
核對Checkde:	料號Part No: PG-DB09	圖紙Size: A 4	.00=±0.15 .00=±.2°	比例Scale:	制圖日期Date: 09-09-23
核準Approved:			.1,000=±0.10		