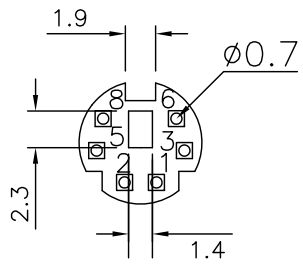
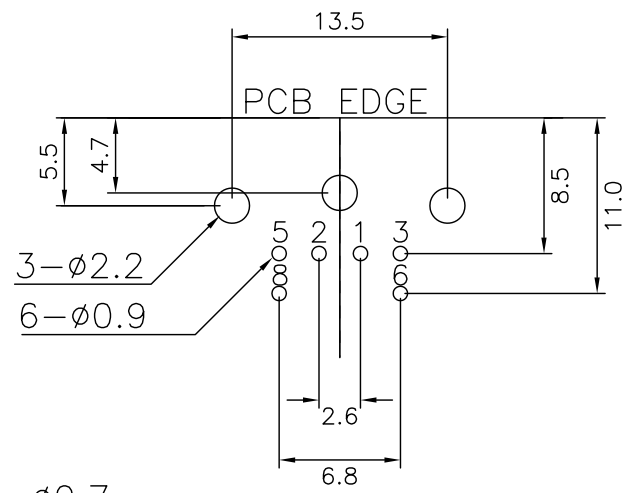
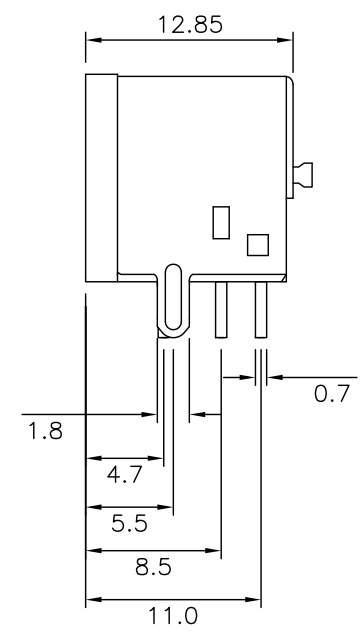
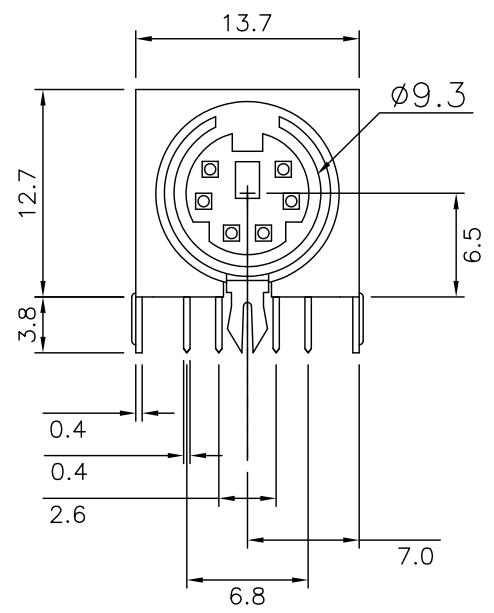
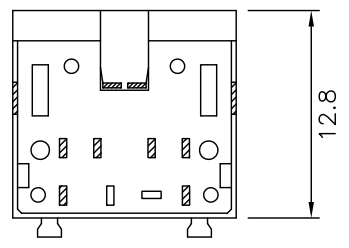


REV.	DESCRIPTION	DATE	DWN	APVD
1	PRELIMINARY	14SEP09	JC	BC



PCB LAYOUT (BOTTOM VIEW)



TOLERANCE: ±0.3

J35-0001-01
PART NUMBER

NO.	NAME	MATERIAL	FINISH	Q'TY
1	HOUSING	PBT G.F.	BLACK	1
2	CONTACT	BRASS	TIN PLATED	6
3	GROUND	BRASS	TIN PLATED	1
4	BACK COVER	PBT G.F.	BLACK	1
5	SHIELD	SPCC	NICKEL PLATED	1

TOLERANCES UNLESS OTHERWISE SPECIFIED:		DWN	14SEP2009	HAOGUO XING YE SHARE CO.,LTD.
0 PLC	± -	CHK	14SEP2009	
1 PLC	± 0.3	APVD	14SEP2009	
2 PLC	± 0.15	NAME	BEST CHANG	
3 PLC	± 0.1	PRODUCT SPEC		
4 PLC	± -	APPLICATION SPEC		MINI DIN JACK
ANGLES	± 3°	SIZE	DRAWING NO	RESTRICTED TO
MATERIAL	SEE NOTE	WEIGHT	- GRAMS	A3 J35-0001
FINISH	SEE NOTE	DIMENSIONS:	MM	CUSTOMER DRAWING
PROJECTION		SCALE	-	SHEET 1 OF 1
		REV	1	

8 | 7 | 6 | 5 | 4 | 3 | 2 | 1