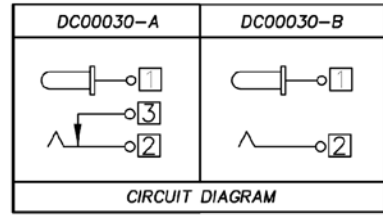
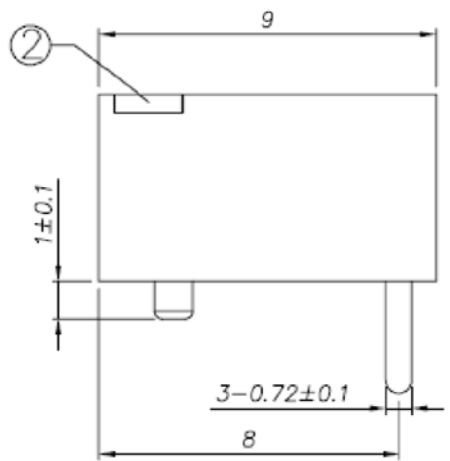
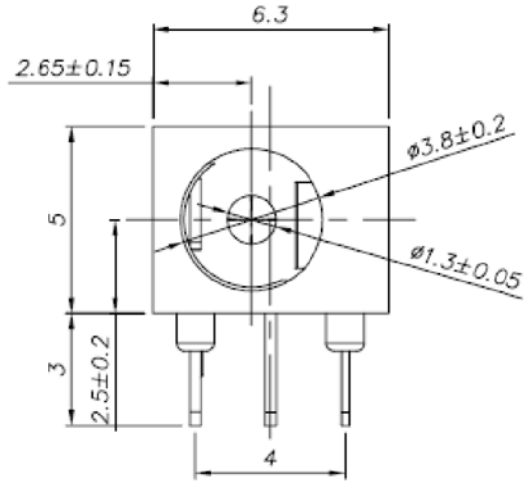
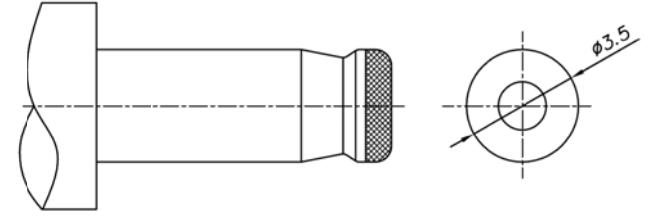
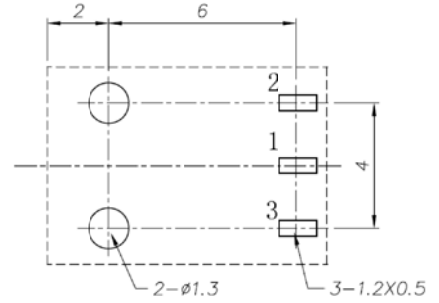


REV.	DESCRIPTION	DATE	DWN	APVD
1	PRELIMINARY	17SEP09	JC	BC



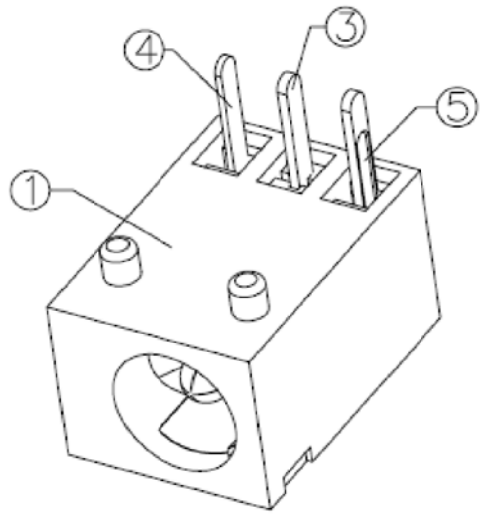
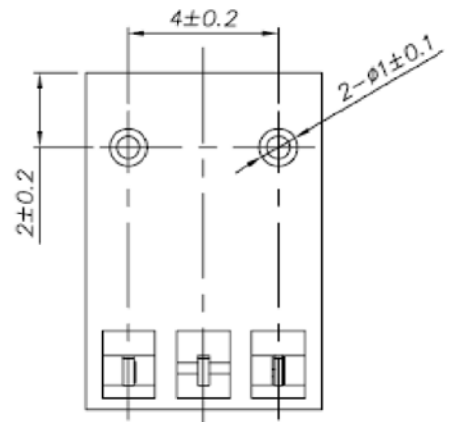
P. C. B Layout (Copper-sided view)



DC MATE PLUG

SPECIFICATION

1. Rating : DC 30V 1.0A;
2. Contact resistance : ≤50mΩ;
3. Insulation resistance : ≥100MΩ (DC250V);
4. Withstand voltage : 500VAC ;
5. Insertion and extraction force : 3-25N;
6. life test : 5,000 cycles.



GOLD FLASH	DX-0003-1.3-13S01A
MIN. GOLD THICKNESS	PART NUMBER

⑤	Shunt terminal	③	1	Brass t=0.25	Silver plating
④	Tip spring	②	1	SUS301 t=0.2	Silver plating
③	Center pin	①	1	Brass t=0.3	Silver plating
②	Cover		1	PA66+15%GF/PBT	Black
①	Housing		1	PA66+15%GF/PBT	Black
NO.	DESCRIPTION		QTY	MATERIAL	PLATING

TOLERANCES UNLESS OTHERWISE SPECIFIED: 0 PLC ± - 1 PLC ± 0.3 2 PLC ± 0.3 3 PLC ± 0.3 4 PLC ± - ± 3° ANGLES ± - ± 3°	DWN	17SEP2009	HAOGUO XING YE SHARE CO.,LTD.	NAME	DC POWER JACK
	CHK	17SEP2009			
MATERIAL	SEE NOTE	APPLICATION SPEC	SIZE	DRAWING NO	RESTRICTED TO
FINISH	SEE NOTE	WEIGHT	A3	-	-
PROJECTION		DIMENSIONS:	MM	CUSTOMER DRAWING	SCALE
				SHEET	1 OF 1
				REV	1