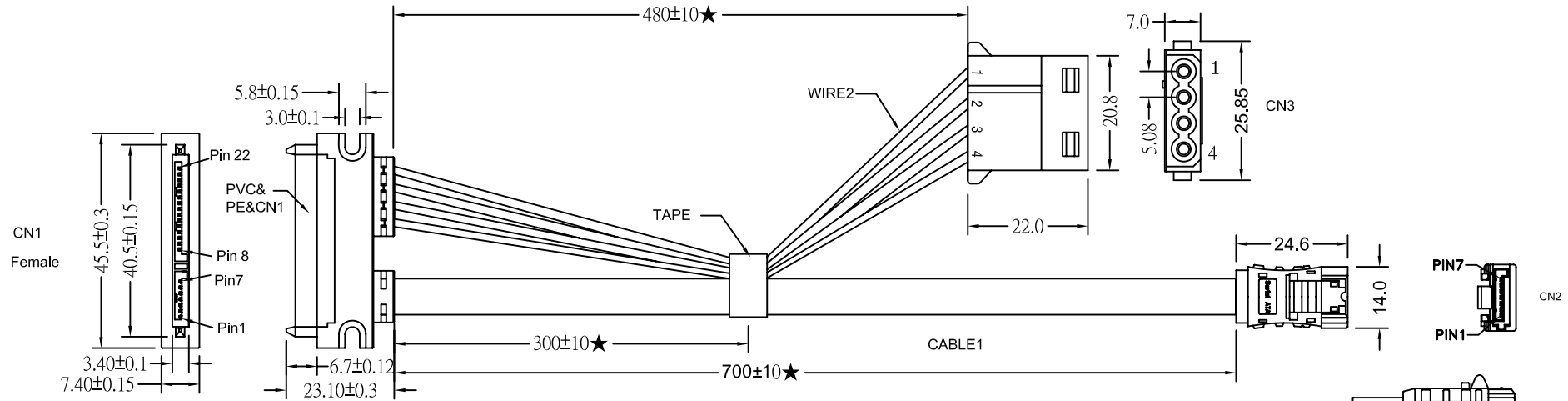
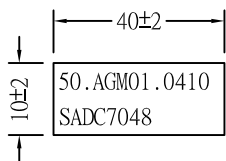
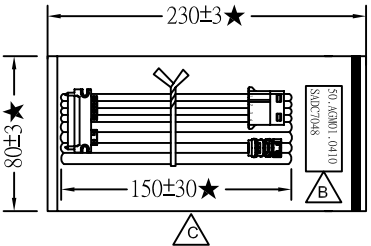


RoHS

REV.	ECN.NO.	DR.	DATE.
A	-	JOHN	2008/12/15



CN1	CN2	CN1	Color	CN3
1	1	11, 12, 13	BLACK	3
2	2	14, 15, 16	RED	4
3	3	17, 18, 19	BLACK	2
4	4	20, 21, 22	YELLOW	1
5	5			
6	6			
7	7			



ELECTRICAL SPECIFICATION:
 1.CABLE MUST PASS CONTINUITY TEST
 2.INSULATION RESISTANCE: 5MΩ
 3.HI-VOLTAGE: 300VDC/0.1SEC.
 *所有物料需符合RoHS要求

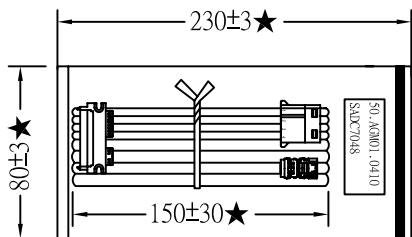
Location	Description	Q'ty	VENDER	REMARK
LABLE	COPPER EDITION 80g SUR-LIGHT BACKGROUND L40*W10 or Equal	2pcs	LiSheng	
TAPE	醋酸膠布:W=30mm Black	1pcs	Qi jia	
PE	PE,WHITE	4.5g	Yu shun rong	
PVC1	45P PVC Color:Black (FH-BK01)	8g	Mao sheng	
CN3	TER:Pitch 5.08mm,Female,Pin:Tin Plated,YY-3100-TTAPS	4pcs	Young Yak	
CN3	HSG:Pitch 5.08mm,Male#White,YY-3100F-H04	1pcs	Young Yak	
CN2	Serial ATA 7P Female Pin:G/F, 帶彈片,成型式 #Black	1Pcs	Cai sheng	
CN1	Serial ATA 7P+15P female Pin G/F #Black	1Pcs	Yonghang	
WIRE	WIRE UL1007 18AWG (Color:Red/Black/Yellow)	4Pcs	Rei hsing	
Cable	CABLE UL2725 (26AWG*2C+A2E)*2K ∅2.2*7.6mm,Color:Red	1Pcs	De an	

Title: C.A SATA15+7F TO SATA7P-700+4P		Zhongxiang Electron Science CO.,LTD			
<i>tolerances</i>		<i>app.</i>	<i>units</i>	<i>part no.:</i>	
<i>linear</i>	<i>angles</i>			<input checked="" type="checkbox"/> mm	JS-50.AGM01.0410
.x	x.*	<i>chk.</i>	<input type="checkbox"/> inch	<i>size</i> A4	
.xx	.x*		50.AGM01.0410 .ADWG		
.xxx	.xx*	<i>dr.</i>	JOHN	<i>dwg no.</i>	
<i>projection</i>	<i>revision.</i>	<i>date.</i>	2008/12/15	<i>scale</i> 1:1	<i>sheet</i> 1/2
	A				

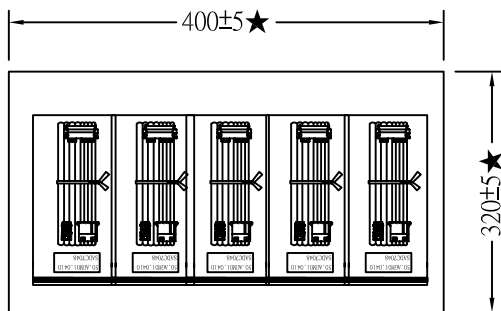
RoHS

6	7	8	9
REV.	ECN.NO.	DR.	DATE.
A	-	JOHN	2008/12/15

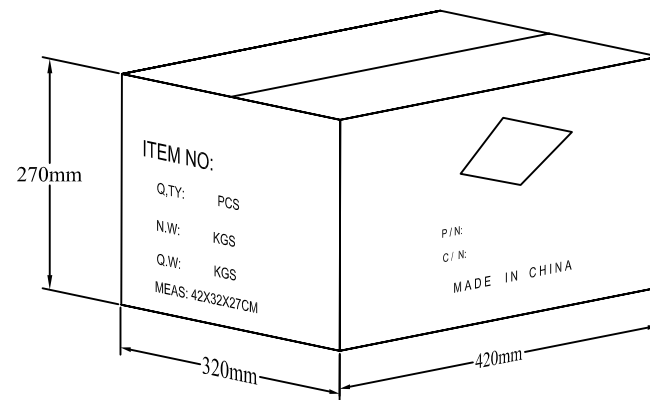
PACKING METHOD



每PCS裝入小PE袋



每10PCS裝入大PE袋中,PE袋反折



- 1、每條成品按圖標扎好後；裝入小PE袋中
- 2、每10PCS裝入大PE袋中。
- 3、裝箱(A3A 420*320*270mm)：
 - a、隔板:B33,L400*W300mm(上下各1pcs)；
 - b、每箱裝200PCS

Title: C.A SATA15+7F TO SATA7P-700+4P		Zhongxiang Electron Science CO.,LTD			
<i>tolerances</i>		<i>app.</i>	<i>units</i> <input checked="" type="checkbox"/> mm <input type="checkbox"/> inch	<i>part no.:</i> JS-50.AGM01.0410	
<i>linear</i>	<i>angles</i>			<i>size</i> A4	<i>dwg no.</i> 50.AGM01.0410 .ADWG
.x	x.*	<i>dr.</i>	JOHN		<i>scale</i> 1:1
.xx	.x*	<i>date.</i>	2008/12/15	<i>sheet</i> 2/2	
.xxx	.xx*	<i>projection</i> 		<i>revision.</i> A	
ASSEMBLE DRAWING					