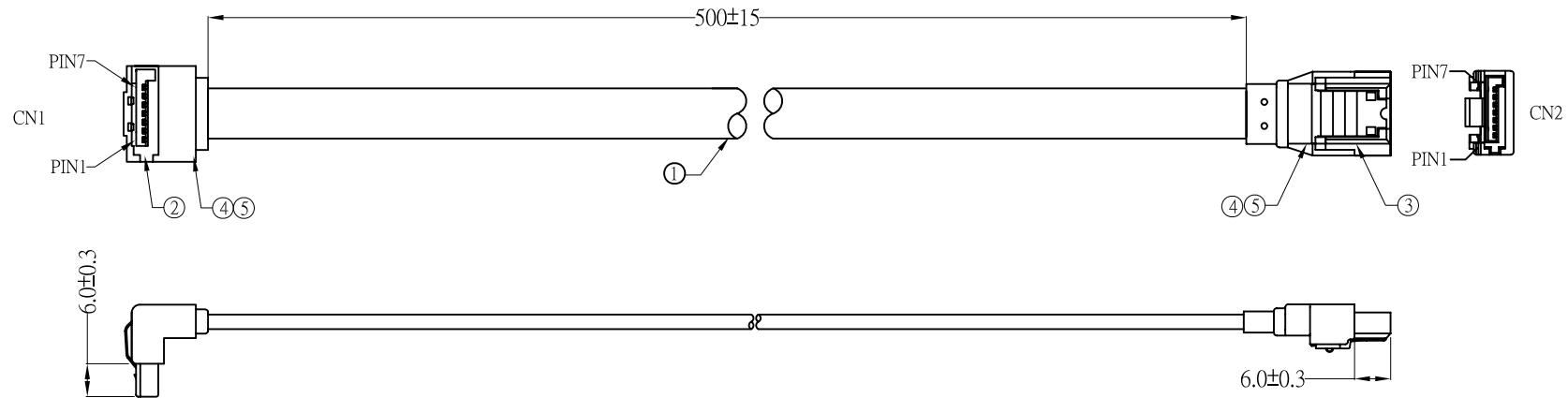
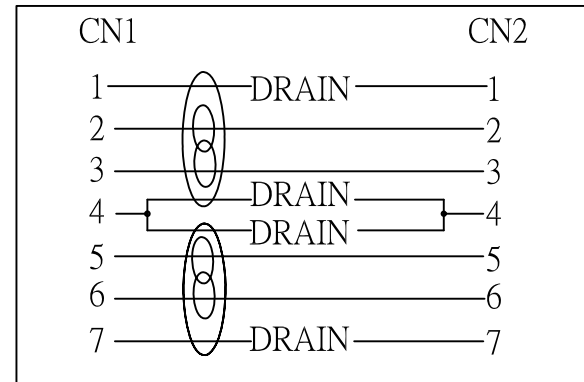


RoHS

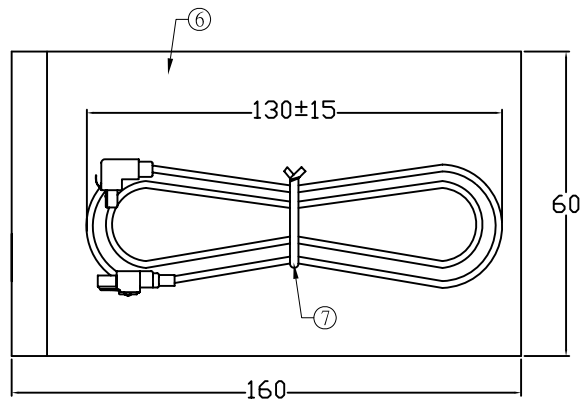
REV.	ECN.NO.	DR.	DATE.
A	-	JOHN	2008/12/15



PIN ASSIGNMENTS



ELECTRICAL SPECIFICATION:
 1. CABLE MUST PASS CONTINUITY TEST
 2. INSULATION RESISTANCE: 5MΩ
 3. HI-VOLTAGE: 300VDC/0.1SEC.



⑦	BLACK MINI TIE L=80mm	1PCS	TIE	
⑥	POLYBAG:L160*W60*0.05mm	1PCS	POLYBAG	
⑤	LD-PE COLOR:WHITE	5G	PE	YUSHUNRONG
④	45P PVC COLOR:BLACK (FH-BK01)	15G	PVC	MAOSHENG
③	SERIAL ATA 7P SOCKET PIN GOLD PLATED 15U" W/LATCH COLOR:BLACK 180°帶鐵片彈片	1PCS	CN2	LIANJIN
②	SERIAL ATA 7P SOCKET PIN:GOLD PLATED 15U" W/LATCH COLOR:BLACK 90°帶鐵片彈片	1PCS	CN1	Shengxiang
①	CABLE:UL2725 (26AWG*2C+A2E)*2 ∅2.2*7.6mm COLOR:RED (FH-RD01)	1PCS	CABLE	DEAN
ITEM	DESCRIPTION	QTY	PART NAME	VENDER

Title: SATA CABLE/500		Zhongxiang Electron Science CO.,LTD			
tolerances		app.	units	part no:	
linear	angles			mm	JS-TGCBVC-0008-A0
.x	x.*	chk.	inch	dwg no.	
.xx	.x*	dr.	size	TGCBVC-0008-A0.CDWG	
.xxx	.xx*	date.	A4	sheet 1/2	
projection	revision.		scale	1:1	
⊕	A	2008/12/15			

RoHS

REV.	ECN.NO.	DR.	DATE.
A	-	JOHN	2008/12/15

PACKING METHOD

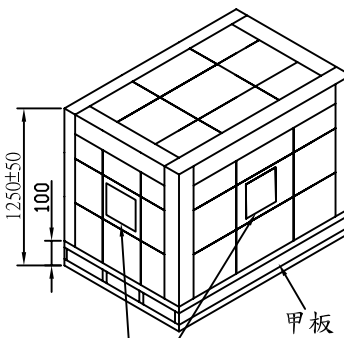
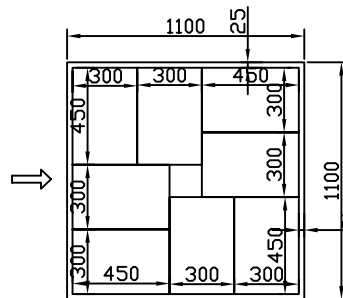
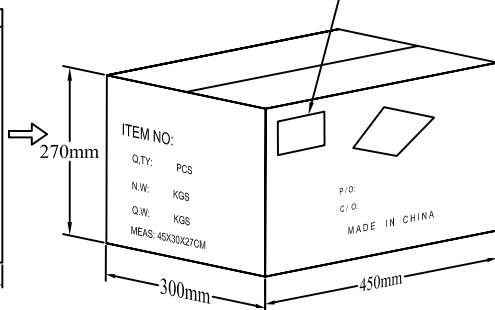
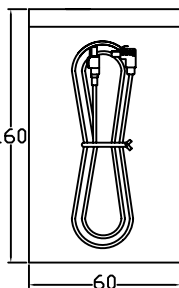
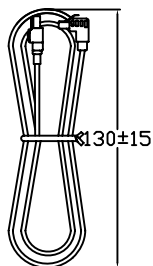
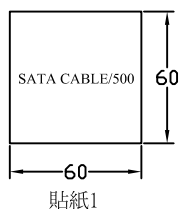
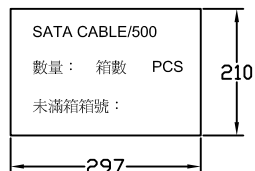
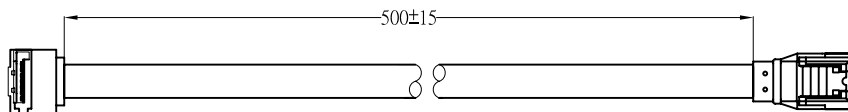


圖 1

圖 2

圖 3

800PCS/箱
圖 4

紙箱裝甲板平面圖(圖5)

貼紙2*4
5.出貨圖(圖6)

- 繞線：成品單條繞線，扎迷你帶。(迷你帶規格：黑色,L=80MM)
- 裝PE袋：成品單裝PE袋，並熱封口，PE袋規格：L160*W60*T0.05mm；
- 裝箱(A3A 450*300*270mm)：
 - 隔板:B33,L430*W280mm(上中(裝好350PCS後)下各1pcs)；
 - 防水袋：L680*W950*T0.05mm；
 - 每箱總數：700pcs/箱；
- 封箱：
 - 封箱膠：封兩層；
- 裝甲板:將32PCS外箱放入甲板上(每層放8箱,共放4層),四角需附紙附角,四周再用PE膜纏緊.如圖五.
- 於甲板四面各貼1PCS貼紙,如圖6

Title: SATA CABLE/500		Zhongxiang Electron Science CO.,LTD			
<i>tolerances</i>		<i>app.</i>	<i>units</i> <input checked="" type="checkbox"/> mm <input type="checkbox"/> inch	<i>part no.:</i> JS-TGCBVC-0008-AO	
<i>linear</i> .x .xx .xxx	<i>angles</i> x.* .x* .xx*			<i>chk.</i>	<i>size</i> A4
<i>projection</i> 	<i>revision.</i> A	<i>dr.</i> JOHN	<i>date.</i> 2008/12/15	<i>scale</i> 1:1	<i>sheet</i> 2/2