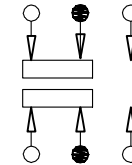


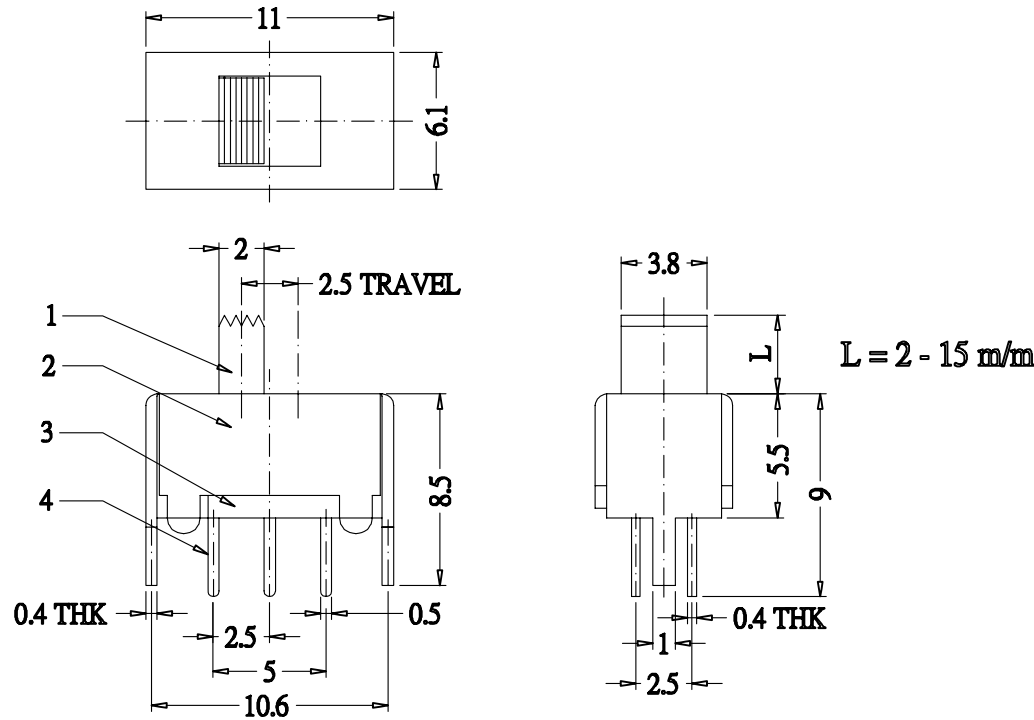
## General specifications

Circuit	: ON-ON (2P2T)
Rating	: D.C. 50V 0.5A
Contact R.[max]	: D.C. 5V 1A 30mΩ
Insulation R.[min]	: D.C. 500V 100MΩ
Withstand VOL.	: A.C. 500V 1minute
Operating force	: 250 ± 100g
Life cycle[max]	: 10,000 CYCLES

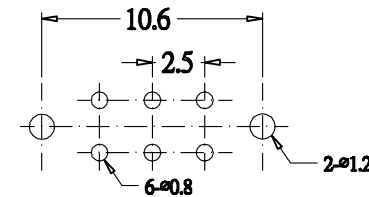
## SCHEMATIC



NON-SHORTING



NO.	PART NAME	MATERIAL	QTY	FINISHING
1	KNOB	POM	1	BLACK
2	FRAME	STEEL STRIP	1	NI PLATED
3	BASE	PHENOLIC RESIN	1	NATURAL
4	TERMINAL	BRASS STRIP	6	AG PLATED OVER NI PLATED
5	CONTACT	BRASS STRIP	2	AG PLATED
6	SPRING	SUS	2	NATURAL



## P.C.B. HOLE DETAIL

TITLE	SLIDE SWITCH	SCALE	3 : 1	DRAWN BY		TOLERANCES UNLESS OTHERWISE	
MODEL NO.	SSW06MD	DIMENSION UNIT	m/m	APPROVED BY		UP TO 10	±0.3
<h1>豪國興業股份有限公司</h1>						ABOVE 10 TO 100	±0.5
						ABOVE 100	±0.8
						ANGULAR DIMENSIONS	±5°
VERSION		DATE					