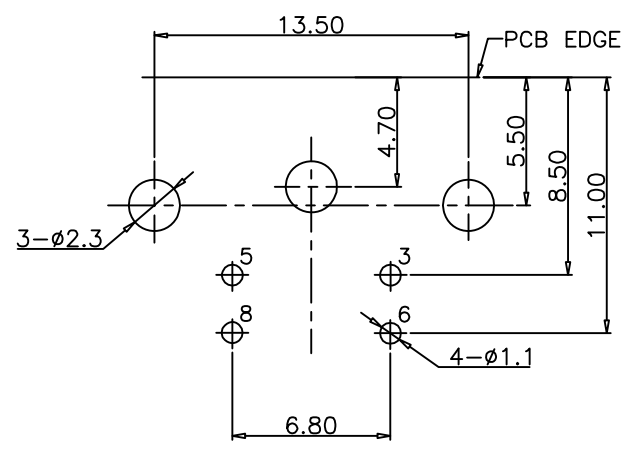
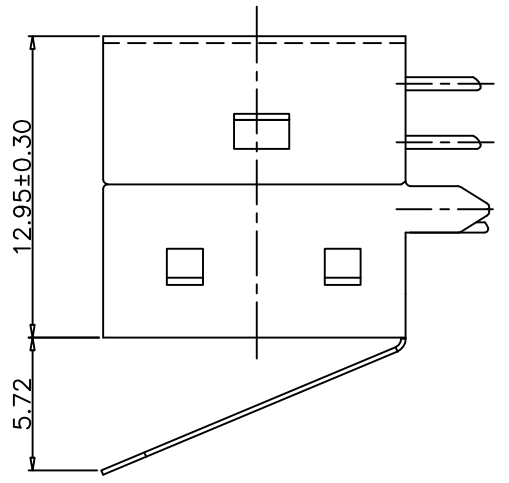
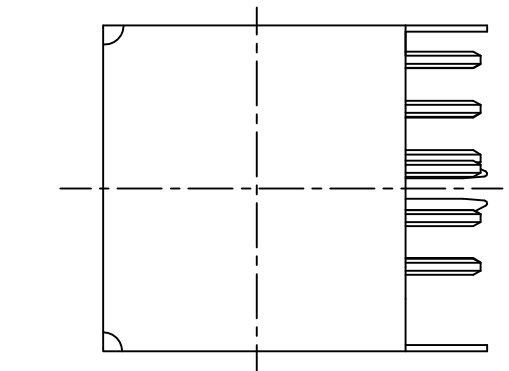
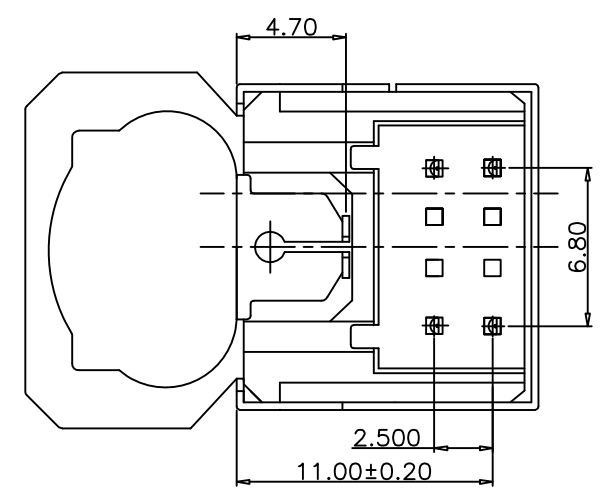
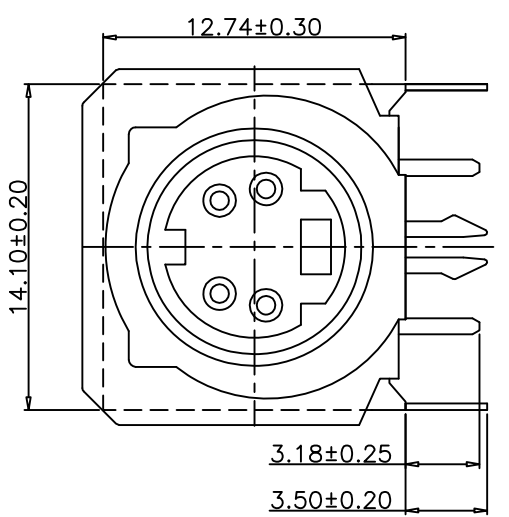


REV.	DESCRIPTION	DATE	DWN	APVD
A	RELEASED	22SEP08	JC	BC



TOLERANCE: ± 0.1 ,
RECOMMENDED PCB LAYOUT
(TOP VIEW)



NOTE:
MATERIAL:
HOUSING:THERMOPLASTIC(PBT+GF)
CONTACT:BRASS&PHOSPHOR BRONZE
SHELL:BRASS&SUS304
PLATING:
CONTACT: GOLD PLATING
SHELL: TIN OF NICKEL PLATED
SPECIFICATION:
VOLTAGE RATING: 100V
CURRENT RATING: 1A
CONTACT RESISTANCE TERMINAL:30m MAX
DIELECTRIC WITHSTANDING VOLTAGE:500V AC
INSULATION RESISTANCE:1000M MIN
PART NO.:

SERIES NO: 18 4 -04 2 4 N X XX 05~06
 (PROVIDE:KANG XIANG)
 SEE DIAGRAM
 COLOR:
 01=WHITE 02=BLACK
 03=RED 04=GREEN
 05=BLUE -----
 CONTACT PLATING CORD:
 A=1u" B=3u" C=5u"
 D=10u" E=15u" F=30u"

XX
PART NUMBER

TOLERANCES UNLESS OTHERWISE SPECIFIED: 0 PLC $\pm -$ 1 PLC ± 0.3 2 PLC ± 0.2 3 PLC ± 0.15 4 PLC $\pm -$ ANGLES $\pm 3'$	DWN 22SEP2008 Abel CHK 22SEP2008 MARKS_CHEN APVD 22SEP2008 BEST_CHANG PRODUCT SPEC LA_01(A) APPLICATION SPEC LA_01-1(A) WEIGHT XX GRAMS	HAOGUO XING YE SHARE CO.,LTD.	
MATERIAL SEE NOTE	FINISH SEE NOTE	PROJECTION	NAME RIGHT ANGLE PRODUCT
SIZE A3	DRAWING NO XXXXX	RESTRICTED TO -	
DIMENSIONS: MM	CUSTOMER DRAWING	SCALE -	SHEET 1 of 1 REV A