

PRODUCT NO.	SUB-ASS'Y P/N	SHIELD P/N	SHIELD LOGO	REMARK
9822-881X-SOL1-LFG	5136-881X-L1-LFG	8208-8204N		NON-PANEL GROUND/NON-LOGO
9822-881X-S1L1-LFG	5136-881X-L1-LFG	8208-8214N		TOP SIDE WITH PANEL GROUND/NON-LOGO

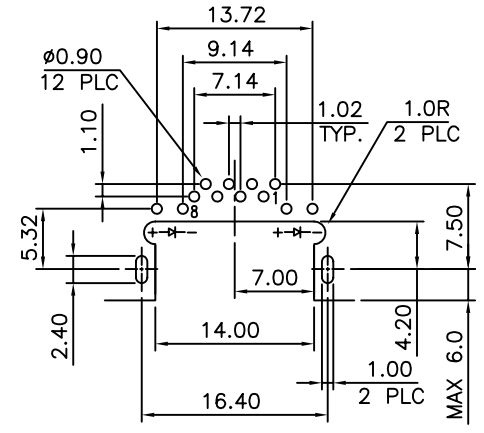
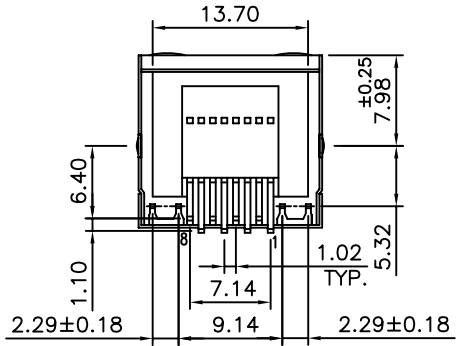
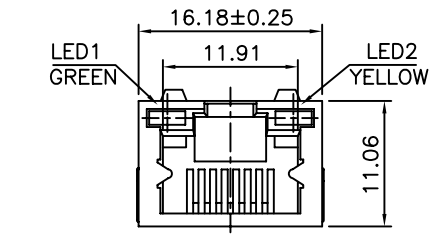
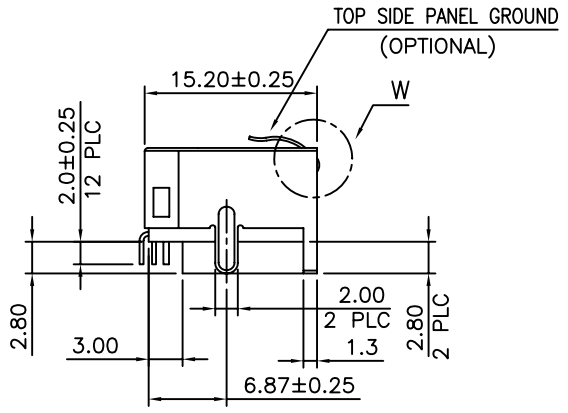
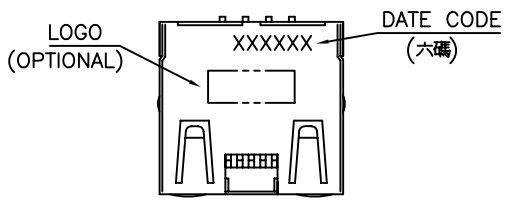
MATERIAL:

- HOUSING-DSM STANYL TE250F6 (NYLON-46)
HEAT DEFLECTION TEMP.290°
BLACK COLOR, UL94V-0
- CONTACTS-0.35mm THICK PHOS-BRONZE PLATED
WITH HARD GOLD AND GOLD FLASH IN
SOLDER AREA.
- SHIELD-0.20mm THICK COPPER ALLOY,
PLATED WITH NICKEL.

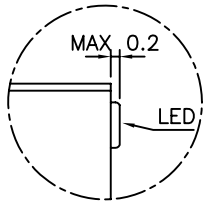
CAVITY CONFIRMS TO FCC RULES AND REGULATIONS
PART 68,SUBPART F.

RoHS Compliance

DATE CODE 說明
 XXXXXX
 | | | | |
 年 週 序 星
 份 數 號 期
 (班)
 別 數
 範例: 0812D4
 2008 第 早 星
 年 12 週 期 三



PCB LAYOUT
Ref.



DETAIL W

DO NOT SCALE DRAWING	TOLERANCES UNLESS OTHERWISE NOTED	INCH	MM	DR. M.L.HUANG	DATE MAR-18 '08
THIRD ANGLE PROJECTION	LINEAR $\frac{MM}{INCH}$	$\frac{00 \pm}{000 \pm}$ $\frac{000 \pm}{0000 \pm}$	$\frac{0.0 \pm 0.25}{0.00 \pm 0.20}$ $\frac{0.000 \pm 0.10}{0.000 \pm 0.10}$	CK'D M.CHANG	MAR-18 '08
MM INCH	ANGLE $\pm 0^\circ 30'$	RADII	± 0.40 ± 0.15	APP'D W.J.YANG	MAR-19 '08

豪國興業股份有限公司	
TITLE	MODULAR JACK, RJ45, WITH LED'S, DIP TYPE.
SCALE	SIZE DWG.NO.
892201	REV. SHEET
5	1