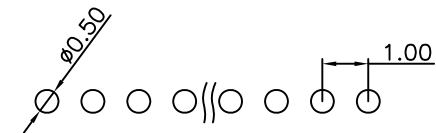
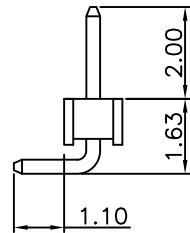
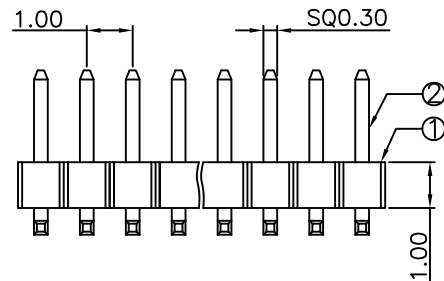
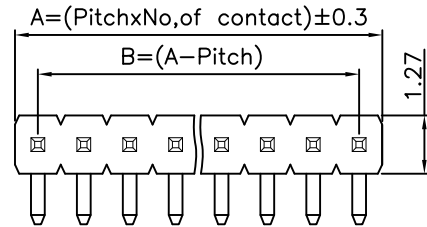
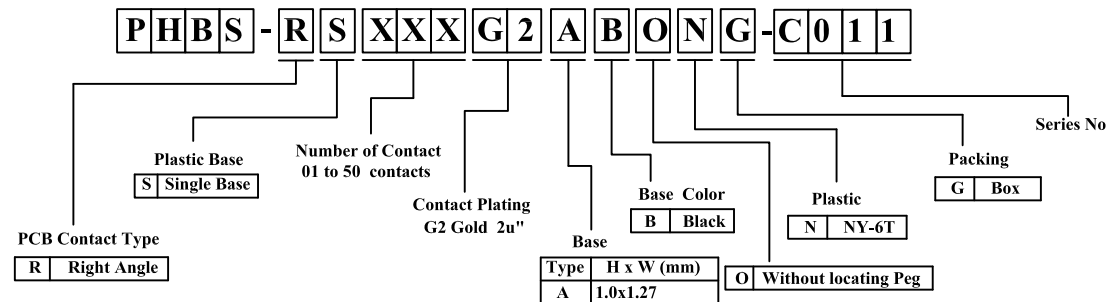


REV.	DESCRIPTION	DATE
A0	New Drawing	2008/06/19



P.C.B LAYOUT



L=5.0mm

RoHS compliant

豪國興業股份有限公司

General Tolerance		TITLE	
X. ± 0.5		1.0 Pin Header Single Row, Double Plastic DIP Type Base	
.X ± 0.3		DRAWN	DATE
.XX ± 0.2		ZhaoXiaoLin	06-19-08'
.XXX ± 0.1		CHECK	DATE
角度	± 5°	XiaoPing	06-19-08'
		APPROVED	DATE
		Jhen-fa	06-19-08'
			NO.
			002
			PART NO.
			PHBS-RSXXXG2ABONG-C011
			CUSTOMER NO.

REV.	UNIT	SCALE
A0	mm	6:1

