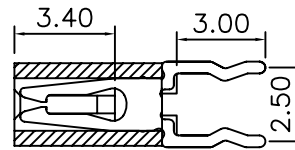
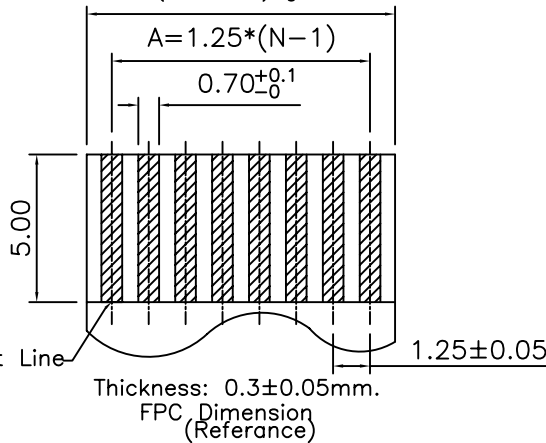


Notes:
N=NO. Of Positions



Section:A-A

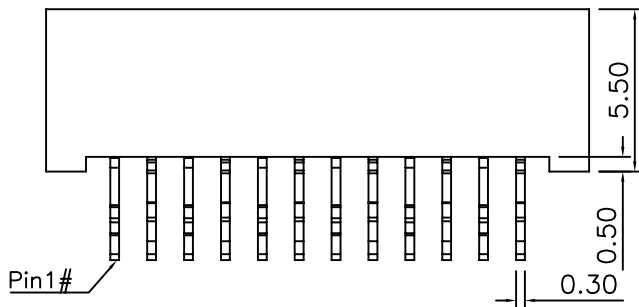
$(A + 1.25) \pm 0.10$



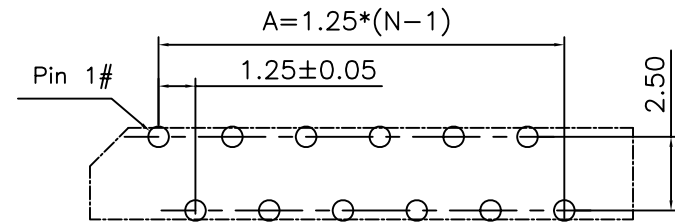
Specifications:
 Current Rating:1.0 Amps
 Voltage Rating:200V AC/DC
 Contact Resistance:20m Ohm Max
 Insulator Resistance:500M Ohm Min
 Dielectric Withstanding Voltage:500V AC/minute
 Operating Temperature Range:-25°C~+85°C
 Material:

Insulator:High Temperature Plastic(UL94V-0)
 Contact: Copper Alloy
 Finish:Tin plated
 How To Order
 1227S-XXA

A Type
 No. of Contacts
 S: Straight Type



Pin	Dim A	Dim B	Dim C	Pin	Dim A	Dim B	Dim C	Pin	Dim A	Dim B	Dim C
3	2.50	5.05	7.15	13	15.00	17.55	19.65	23	27.50	30.05	32.15
4	3.75	6.30	8.40	14	16.25	18.80	20.90	24	28.75	31.30	33.40
5	5.00	7.55	9.65	15	17.50	20.05	22.15	25	30.00	32.55	34.65
6	6.25	8.80	10.90	16	18.75	21.30	23.40	26	31.25	33.80	35.90
7	7.50	10.05	12.15	17	20.00	22.55	24.65	27	32.50	35.05	37.15
8	8.75	11.30	13.40	18	21.25	23.80	25.90	28	33.75	36.30	38.40
9	10.00	12.55	14.65	19	22.50	25.05	27.15	29	35.00	37.55	39.65
10	11.25	13.80	15.90	20	23.75	26.30	28.40	30	36.25	38.80	40.90
11	12.50	15.05	17.15	21	25.00	27.55	29.65				
12	13.75	16.30	18.40	22	26.25	28.80	30.90				



PCB LAYOUT

RoHS Compliant

DRAWN:
Jeremy Liu

CHECKED:
Jerry Chen

APPROVAL:
Mike Wu

GENERAL TOLERANCE:
.X = ±0.2
.XX = ±0.15

UNIT: MM

SCALE: 1:1

SHEET: 1 / 1

PROJECTION:

豪國興業股份有限公司

DESCRIPTION:
1.25mm FPC Connector A TYPE

PART NO:
1227S-XXA

SIZE

A4

B	02-Aug-2006	Add RoHs	Cel king
A	Jun-24-2004	(PC0001)	Jeremy Liu
REV	DATE	FILE	BY