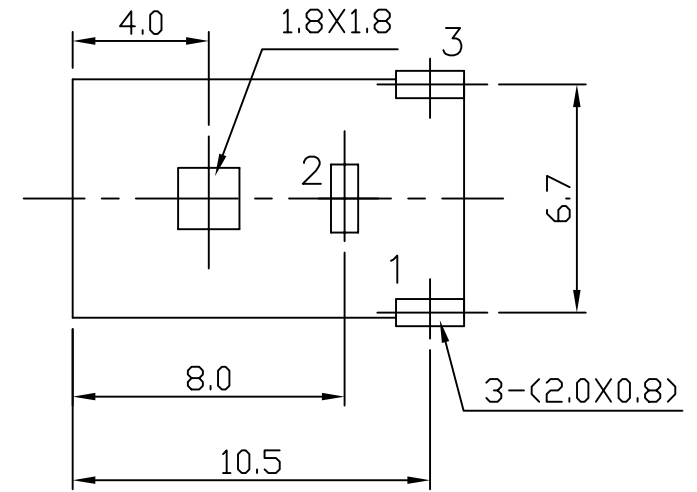
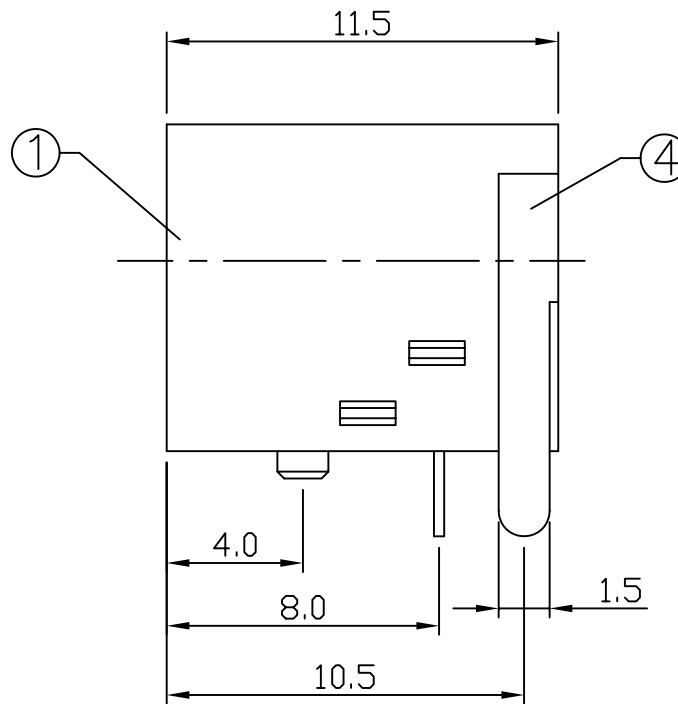
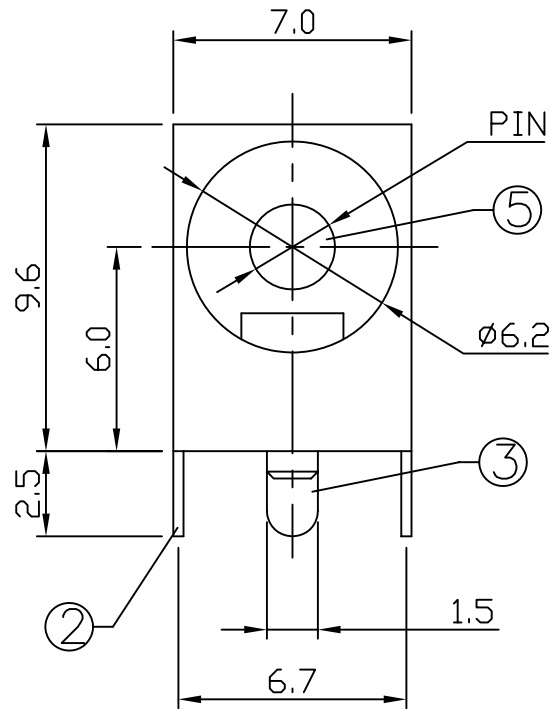


* REVISIONS				
LTR	DESCRIPTION	DATE	REVISED	APPROVED



T:1.6 Dimensions of PC board holes
Tolerance : ±0.1(Printed-top view)

CAT. NO.	PIN	SCHEMATIC
WTJ-020-17A	φ2.0	
WTJ-020-17B	φ2.5	
WTJ-020-17C	φ1.65	
WTJ-020-17D	φ2.35	

UNLESS OTHERWISE SPECIFIED, TOLERANCE ON DECIMAL: ±0.3

LEAD FREE

5	PIN	1	C2680	MB:Cu Ni PLATED	
4	CONTACT FOOT	1	C2680	MB:Cu Ag PLATED	
3	SPRING	1	C5191	MB:Cu Ag PLATED	
2	CURVE PIECE	1	C2680	MB:Cu Ag PLATED	
1	HOUSING	1	PBT 4815	UL-94V0(BLACK)	
LTR	PART NAME		QTY	MATERIAL	REMARK
DWN	HU LUN	DATE	2006.01.13	3RD ANGLE PROJECTION	NAME DC POWER JACK
CHKD	GAO WEI	DATE	2006.01.13		CAT. NO. WTJ-020-17
APVD	JACKY	DATE	2006.01.13		UNIT: mm
豪國興業股份有限公司					