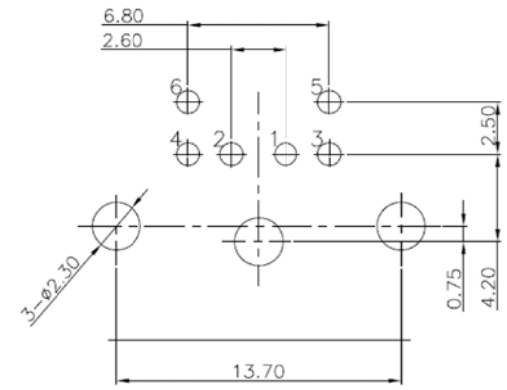
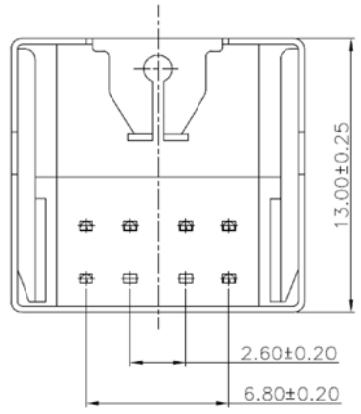
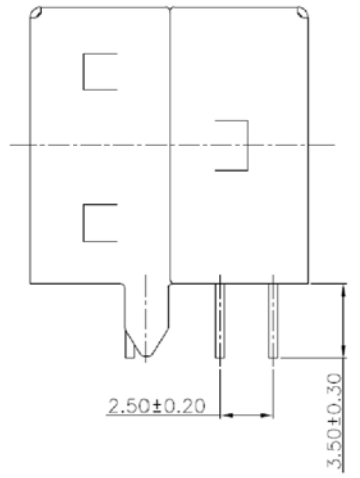
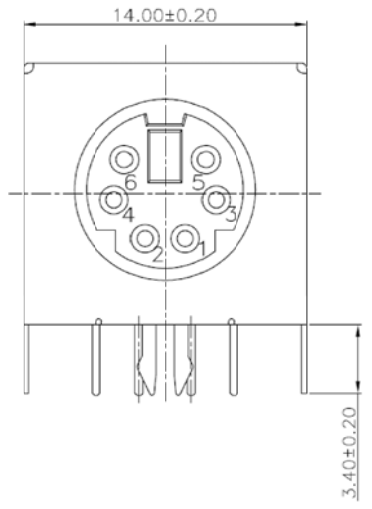


REV.	DESCRIPTION	DATE	DWN	APVD
1	PRELIMINARY	20OCT09	JC	BC



RECOMMENDED PCB LAYOUT

NOTE:
MATERIAL:
HOUSING:PBT+30%G.F.
CONTACT:BRASS
SHELL:SPCC
COVER:PBT+30%G.F.
SPECIFICATION:
CURRENT RATING: 1A
CONTACT RESISTANCE TERMINAL:30mΩ MAX
DIELECTRIC WITHSTANDING VOLTAGE:1000V
MIN PER MINULE
INSULATION RESISTANCE:500MΩ MIN
ENVIRONMENTAL:
OPERATING TEMPERATURE:-55°C~105°C
PART NO.:

18 4 -06 2 2 N X XX 01

COLOR: 02=BLACK
04=GREEN 07=PURPLE
CONTACT PLATING CORD:
A=1u" B=3u" C=5u"

TOLERANCES UNLESS OTHERWISE SPECIFIED: 0 PLC ± - 1 PLC ± 0.3 2 PLC ± 0.15 3 PLC ± 0.1 4 PLC ± - ANGLES ± 3'	DWN JOHN_CHANG 20OCT2009 CHK MARKS_CHEN 20OCT2009 APVD BEST_CHANG 20OCT2009 PRODUCT SPEC	HAOGUO XING YE SHARE CO.,LTD.	
MATERIAL SEE NOTE	APPLICATION SPEC	NAME MINI DIN 6P, FEMALE, RA, DIP.	
FINISH SEE NOTE	WEIGHT - GRAMS	SIZE A3	DRAWING NO -
PROJECTION	DIMENSIONS: MM	CUSTOMER DRAWING	RESTRICTED TO -
		SCALE -	SHEET 1 OF 1 REV 1