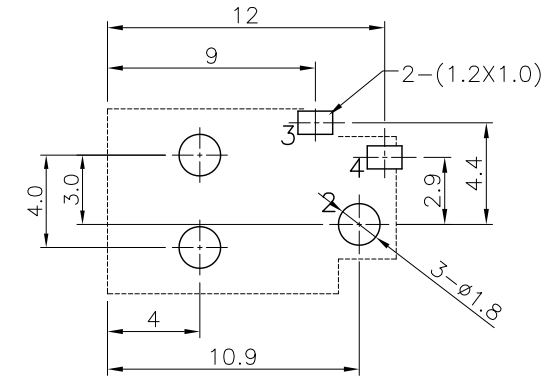
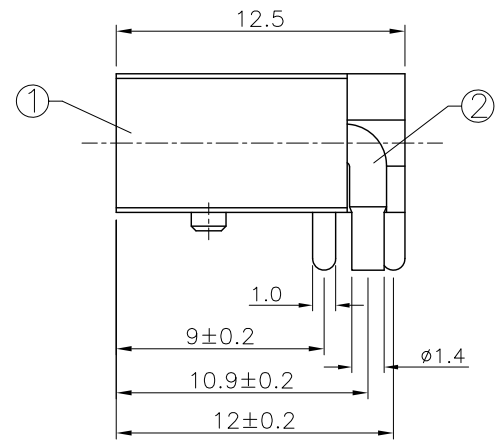
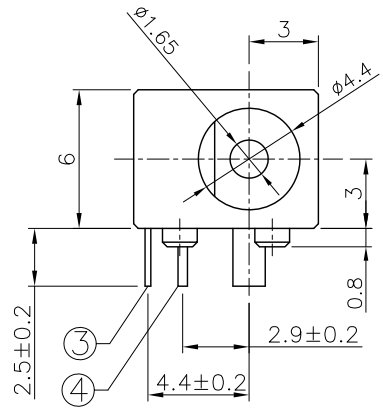
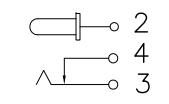


REV.	DESCRIPTION	DATE	DWN	APVD
1	PRELIMINARY	12OCT09	JC	BC



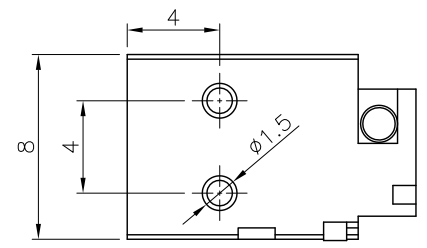
P.C.B LAYOUT  
TOP VIEW

SCHEMATIC



SPECIFICATION

1. Rating : DC 30V 0.5A
2. Contact resistance :  $\leq 0.03\Omega$
3. Insulation resistance :  $\geq 100M\Omega$  (DC250V)
4. Withstand voltage : 500VAC
5. Insertion and extraction force : 3-20N
6. life test : 5,000 cycles



J06-0007-01

PART NUMBER

NO.	DESCRIPTION	QTY	MATERIAL	PLATING
4	CURVE PIEVE	1	BRASS	Ag-Plating
3	SPRING	1	BRONZE	Ag-Plating
2	PIN	1	H59 BRASS	Cu-Sn-Plating
1	HOUSING	1	PA66/PBT	

TOLERANCES UNLESS OTHERWISE SPECIFIED: 0 PLC ± - 1 PLC ± 0.3 2 PLC ± 0.2 3 PLC ± 0.1 4 PLC ± - ANGLES ± 3°	DWN JOHN_CHANG 12OCT2009	<b>HAOGUO XING YE SHARE CO.,LTD.</b>	
	CHK MARKS_CHEN 12OCT2009		
MATERIAL SEE NOTE	APVD BEST_CHANG 12OCT2009	DC JACK	
FINISH SEE NOTE	APPLICATION SPEC	SIZE A3	DRAWING NO J06-0007
PROJECTION 	WEIGHT - GRAMS	RESTRICTED TO -	
DIMENSIONS: MM		CUSTOMER DRAWING	SCALE - SHEET 1 OF 1 REV 1