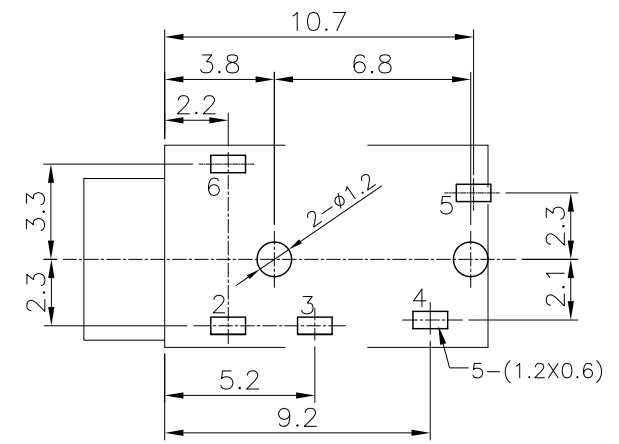
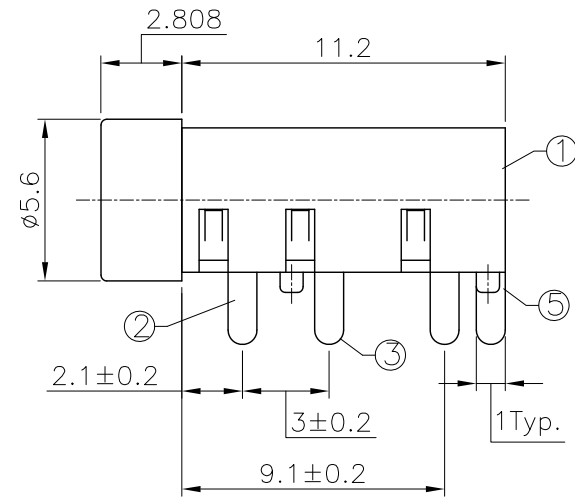
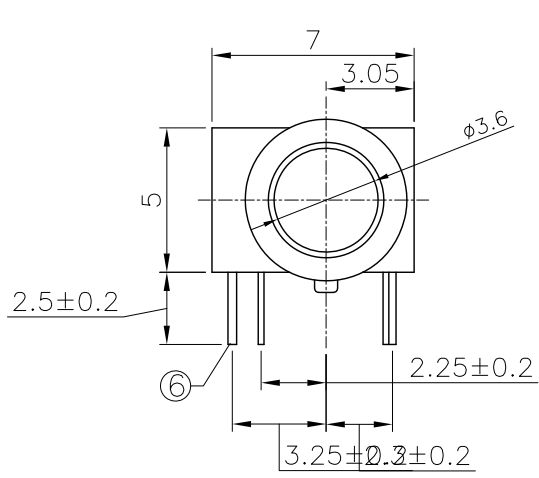


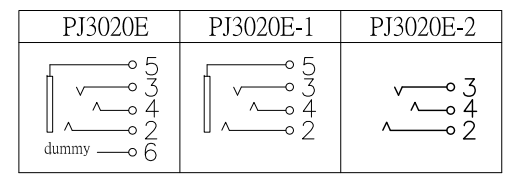
REV.	DESCRIPTION	DATE	DWN	APVD
1	PRELIMINARY	12OCT09	JC	BC



P.C.B. LAYOUT
TOP VIEW

NO.	DESCRIPTION	QTY	MATERIAL	PLATING
6	DUMMY FOOT	1	BRASS	Sn-Plating
5	SPRING	1	SUS301	Sn-Plating
4	CONTACT FOOT	1	PHOSPHOR BRONZE	Sn-Plating
3	CONTACT FOOT	1	PHOSPHOR BRONZE	Sn-Plating
2	CONTACT FOOT	1	PHOSPHOR BRONZE	Sn-Plating
1	HOUSING	1	PBT	

SCHEMATIC



SPECIFICATION
 1. Rating : DC 30V 0.5A
 2. Contact resistance : $\leq 0.03\Omega$
 3. Insulation resistance : $\geq 100M\Omega$ (DC250V)
 4. Withstand voltage : 500VAC
 5. Insertion and extraction force : 3-20N
 6. life test : 5,000 cycles

J06-0008-01
PART NUMBER

TOLERANCES UNLESS OTHERWISE SPECIFIED: 0 PLC ± - 1 PLC ± 0.3 2 PLC ± 0.2 3 PLC ± 0.1 4 PLC ± - ANGLES ± 3° MATERIAL SEE NOTE FINISH SEE NOTE PROJECTION	DWN JOHN_CHANG 12OCT2009 CHK MARKS_CHEN 12OCT2009 APVD BEST_CHANG 12OCT2009 PRODUCT SPEC	HAOGUO XING YE SHARE CO.,LTD. PHONE JACK		
	APPLICATION SPEC WEIGHT - GRAMS DIMENSIONS: MM			NAME SIZE A3 DRAWING NO J06-0008 CUSTOMER DRAWING
	RESTRICTED TO - SCALE - SHEET 1 OF 1 REV 1	SHEET 1 OF 1 REV 1	SHEET 1 OF 1 REV 1	SHEET 1 OF 1 REV 1