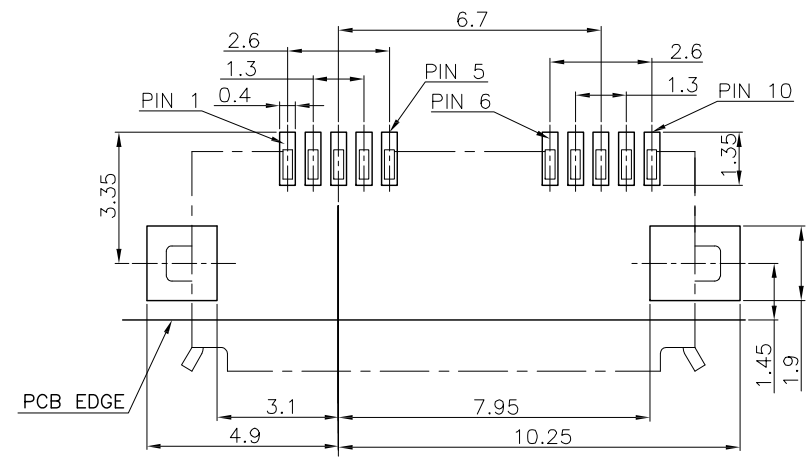
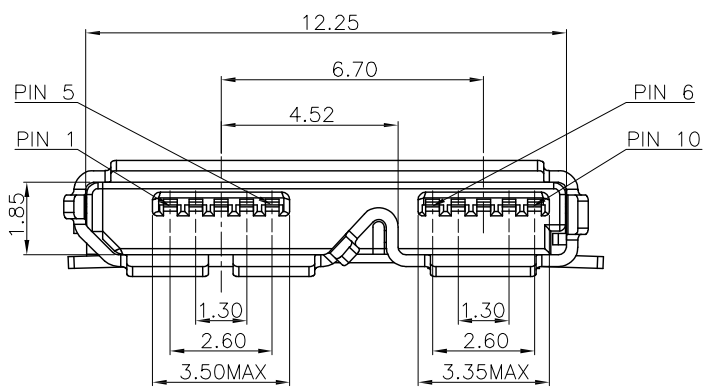
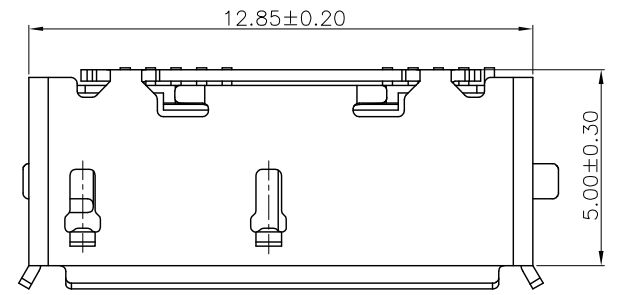


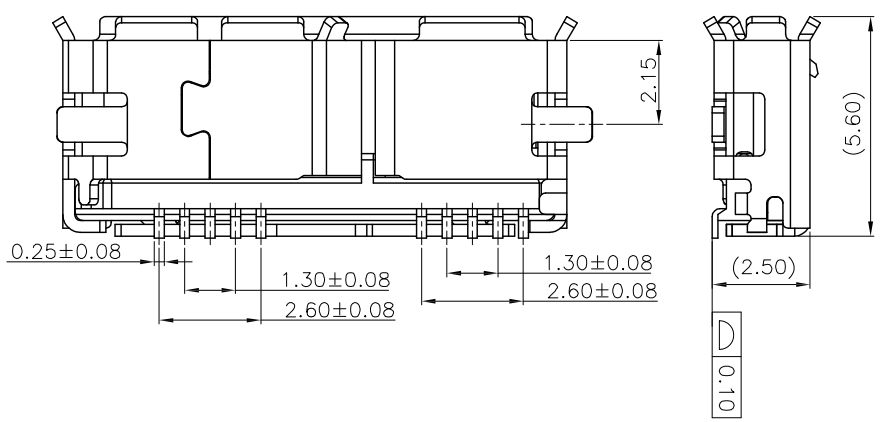
REV.	DESCRIPTION	DATE	DWN	APVD
1	PRELIMINARY	03DEC09	JC	BC

NOTE:

- 1.DIMENSIONS SHALL BE INTERPRETED PER ANSI Y14.5M-1994.
- 2.PRODUCT MUST MEET THE RoHS SPEC.
- 3.THIS PRODUCT IS MET STANDARD SPEC AND NO NOTICE WHEN WODIFIED.



RECOMMENDED P.C.B LAYOUT
TOLERANCE:±0.05



HOUSING COLOR	MIN. GOLD THICKNESS	PART NUMBER
WHITE	[30μ"]	J25-0022-10
	[25μ"]	J25-0022-09
	[15μ"]	J25-0022-08
	[5μ"]	J25-0022-07
	GOLD FLASH	J25-0022-06
BLACK	[30μ"]	J25-0022-05
	[25μ"]	J25-0022-04
	[15μ"]	J25-0022-03
	[5μ"]	J25-0022-02
GOLD FLASH	J25-0022-01	

NO	TITLE	O'TY	MATERIAL	REMARK
3	SHELL	1	STAINLESS STEEL	SOLDERABLE Ni
2	TERMINAL	10	COPPER ALLOY	SEE NOTE
1	HOUSING	1	HIGH TEMPERATURE THERMOPLASTIC.	UL94V-0;

TOLERANCES UNLESS OTHERWISE SPECIFIED:		DWN 03DEC2009	HAOGUO XING YE SHARE CO.,LTD.		
0 PLC ± 0.5	1 PLC ± 0.38	CHK 03DEC2009			
2 PLC ± 0.25	3 PLC ± 0.13	APVD 03DEC2009			
4 PLC ± -	ANGLES ± 3'	PRODUCT SPEC	NAME		
MATERIAL SEE NOTE	APPLICATION SPEC	Micro USB 3.0 B TYPE F SMT			
FINISH SEE NOTE	WEIGHT - GRAMS	SIZE A3	DRAWING NO J25-0022	RESTRICTED TO -	
PROJECTION	DIMENSIONS: MM	CUSTOMER DRAWING	SCALE -	SHEET 1 OF 1	
		REV 1			