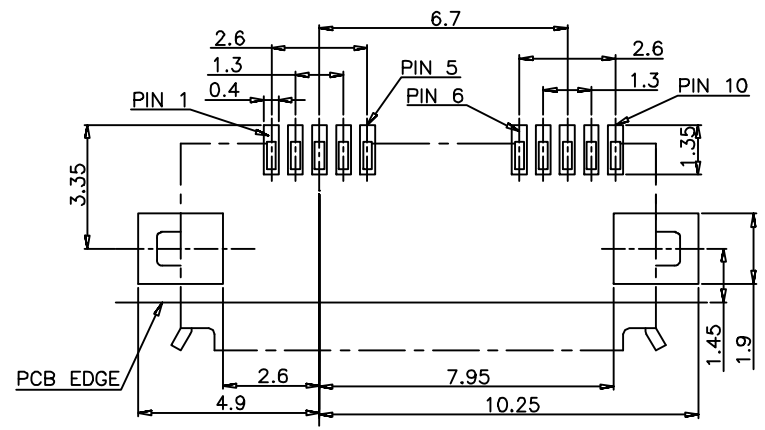
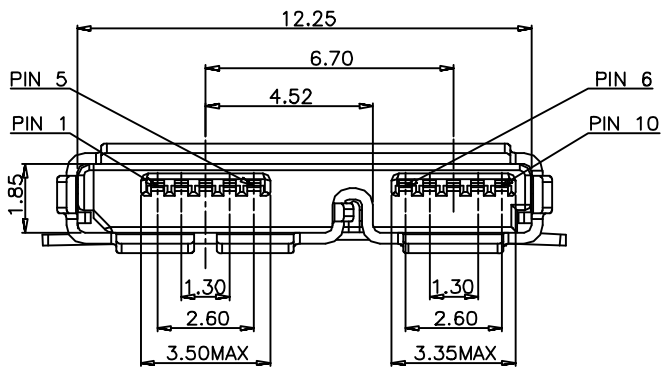
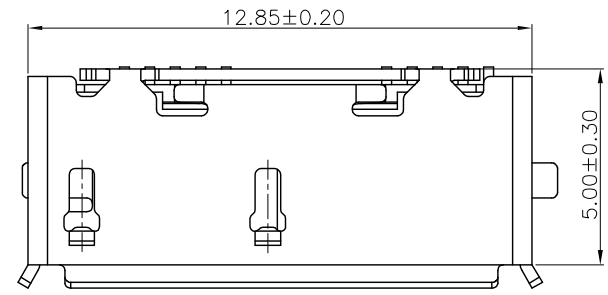


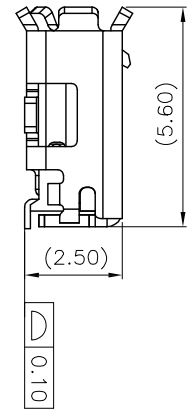
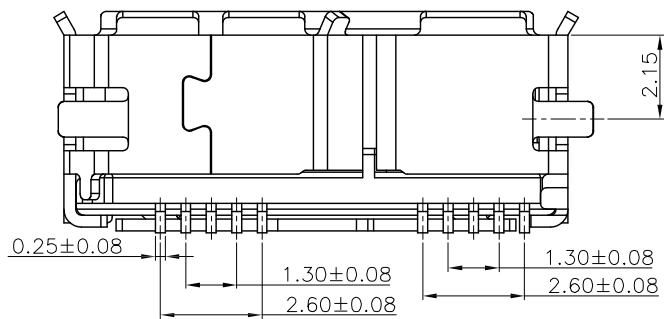
REV.	DESCRIPTION	DATE	DWN	APVD
1	PRELIMINARY	03DEC09	JC	BC

NOTE:

- 1.DIMENSIONS SHALL BE INTERPRETED PER ANSI Y14.5M-1994.
- 2.PRODUCT MUST MEET THE RoHS SPEC.
- 3.THIS PRODUCT IS MET STANDARD SPEC AND NO NOTICE WHEN WODIFIED.



RECOMMENDED P.C.B LAYOUT  
TOLERANCE:±0.05



WHITE	[30μ"]	J25-0023-10
	[25μ"]	J25-0023-09
	[15μ"]	J25-0023-08
	[5μ"]	J25-0023-07
	GOLD FLASH	J25-0023-06
BLACK	[30μ"]	J25-0023-05
	[25μ"]	J25-0023-04
	[15μ"]	J25-0023-03
	[5μ"]	J25-0023-02
GOLD FLASH	J25-0023-01	
HOUSING COLOR	MIN. GOLD THICKNESS	PART NUMBER

TOLERANCES UNLESS OTHERWISE SPECIFIED:		DWN 03DEC2009	<b>HAOGUO XING YE SHARE CO.,LTD.</b>			
0 PLC ± 0.5	1 PLC ± 0.38	CHK 03DEC2009				
2 PLC ± 0.25	3 PLC ± -	APVD 03DEC2009	NAME			
4 PLC ± -	ANGLES ± 3°	PRODUCT SPEC	Micro USB 3.0 AB TYPE F SMT			
MATERIAL SEE NOTE	FINISH SEE NOTE	APPLICATION SPEC	SIZE	DRAWING NO	RESTRICTED TO	
PROJECTION	WEIGHT - GRAMS	DIMENSIONS: MM	A3	J25-0023	-	
			CUSTOMER DRAWING	SCALE -	SHEET 1 OF 1	REV 1