
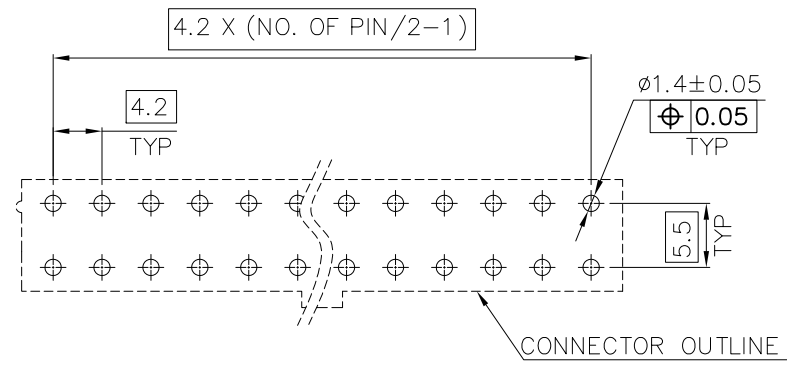
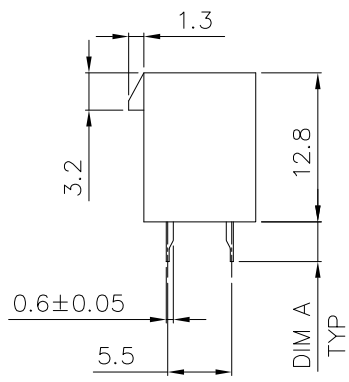
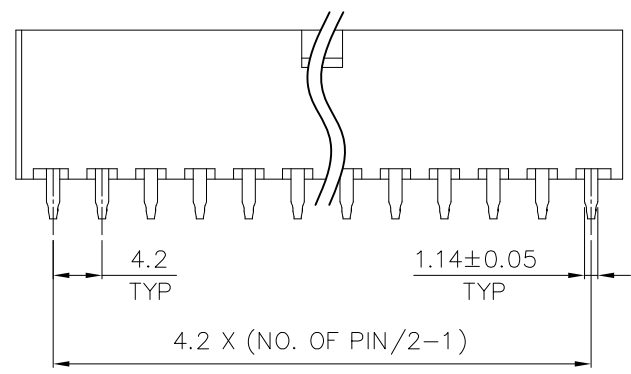
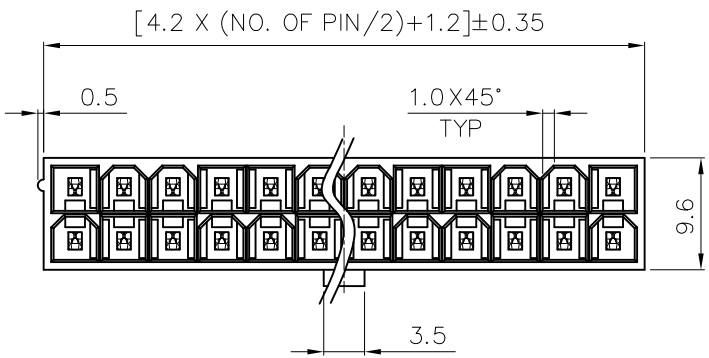


REV.	DESCRIPTION	DATE	DWN	APVD
A	RELEASED	20July09	YF	DV
A1	ADD PART NUMBER 	20July09	YF	DV

D  
C  
B  
A

D  
C  
B  
A



TOLERANCE: ±0.05  
RECOMMENDED PCB LAYOUT  
(TOP VIEW)

NOTE:  
1.MATERIAL:

HOUSING: (SEE TABLE), UL94 V-0, (SEE TABLE) COLOR.  
CONTACTS: BRASS.

2.CONTACTS: 100μ" MIN. (SEE TABLE) TIN OVER 50μ" MIN.  
NICKEL UNDERPLATING OVERALL.

POST NO.	DIM A	PLATING	MATERIAL	COLOR	PART NUMBER(OLD)	PART NUMBER
2 X 3	3.4	BRIGHT TIN	PA66 WITH 30%G.F	NATURAL	AA0612906LE0T8SO	01-0001-14
			PA46	WHITE	AA0412906LW0T8SO	01-0001-13
	PA66		NATURAL	AA0312906LE0T8SO	01-0001-12	
	PA66		TRANSPARENT	AA0312906LC0T7SO	01-0001-11	
	PA66		TRANSPARENT	AA0312906LC0T8SO	01-0001-10	
2 X 2	3.4	MATTE TIN	PA46	WHITE	AA0412904LW0W8SO	01-0001-08
			PA46	NATURAL	AA0412904LE0T8SO	01-0001-07
		PA66	WHITE	AA0312904LW0T8SO	01-0001-06	
	3.4	BRIGHT TIN	PA66	NATURAL	AA0312904LE0T8SO	01-0001-05
			PA66	TRANSPARENT	AA0312904LC0W8SO	01-0001-04
	3.2	BRIGHT TIN	PA66	TRANSPARENT	AA0312904LC0T7SO	01-0001-03
			PA66	TRANSPARENT	AA0312904LC0T8SO	01-0001-02
	3.4	BRIGHT TIN	PA66	TRANSPARENT	AA0312904LC0T8SO	01-0001-02
			PA6T	WHITE	AA0212904LW0T8SO	01-0001-01

TOLERANCES UNLESS OTHERWISE SPECIFIED: 0 PLC ± - 1 PLC ± 0.3 2 PLC ± 0.2 3 PLC ± 0.15 4 PLC ± - ANGLES ± 3°	DWN	20July2009	<b>Zhongxiang Electron Science CO.,LTD</b>  ATX POWER,DOUBLE ROW, VERTICAL, DIP,TYP.		
	CHK	20July2009			
	APVD	20July2009			
	PRODUCT SPEC				
MATERIAL	SEE NOTE	JS-GC03140-A1	SIZE	DRAWING NO	RESTRICTED TO
FINISH	SEE NOTE	ATX_01-1(A)	A3	C-01-0001	-
PROJECTION			CUSTOMER DRAWING	SCALE 1:1	SHEET 1 of 2
			DIMENSIONS: mm		REV A1

POST NO.	DIM A	PLATING	MATERIAL	COLOR	PART NUMBER<OLD>	PART NUMBER
2 X 2	3.2	BRIGHT TIN	PA66	IVORY	-	01-0001-41
2 X 12	3.4	MATTE TIN	PA46	WHITE	AA0412924LWOW8S0	01-0001-40
		BRIGHT TIN	PA46	WHITE	AA0412924LWOT8S0	01-0001-39
			PA66	TRANSPARENT	AA0312924LCOT8S0	01-0001-38
	PA66		WHITE	AA0312924LWOT8S0	01-0001-37	
	PA66		TRANSPARENT	AA0312924LCOT7S0	01-0001-36	
	3.2	BRIGHT TIN	PA6T	WHITE	AA0212924LWOT8S0	01-0001-35
	3.4		PA66 WITH 30%G.F	NATURAL	AA0612920LEOT8S0	01-0001-34
2 X 10	3.4	MATTE TIN	PA46	WHITE	AA0412920LWOW8S0	01-0001-33
		BRIGHT TIN	PA46	NATURAL	AA0412920LEOT8S0	01-0001-32
	PA66		TRANSPARENT	AA0312920LCOT7S0	01-0001-31	
	PA66		TRANSPARENT	AA0312920LCOT8S0	01-0001-30	
	PA66		WHITE	AA0312920LWOT8S0	01-0001-29	
	PA6T		WHITE	AA0212920LWOT8S0	01-0001-28	
	3.4	BRIGHT TIN	PA66	TRANSPARENT	AA0312918LCOT8S0	01-0001-27
PA6T			WHITE	AA0212918LWOT8S0	01-0001-26	
3.4	PA66		TRANSPARENT	AA0312916LCOT8S0	01-0001-25	
3.4	PA66		TRANSPARENT	AA0312914LCOT8S0	01-0001-24	
3.4	PA66		TRANSPARENT	AA0312912LCOT8S0	01-0001-23	
3.4	PA6T		WHITE	AA0212912LWOT8S0	01-0001-22	
3.4	PA46		WHITE	AA0412910LWOT8S0	01-0001-21	
3.2	PA66		TRANSPARENT	AA0312910LCOT7S0	01-0001-20	
3.4	PA66		TRANSPARENT	AA0312910LCOT8S0	01-0001-19	
3.4	PA6T		WHITE	AA0212910LWOT8S0	01-0001-18	
2 X 4	3.2	PA66	TRANSPARENT	AA0312908LCOT7S0	01-0001-17	
	3.4	PA66	TRANSPARENT	AA0312908LCOT8S0	01-0001-16	
3.4	PA6T	WHITE	AA0212908LWOT8S0	01-0001-15		



TOLERANCES UNLESS OTHERWISE SPECIFIED:		DWN	20July2009	<b>Zhongxiang Electron Science CO.,LTD</b>	
0 PLC	± -	CHK	YONGFENG		
1 PLC	± 0.3	GAVIN		NAME	
2 PLC	± 0.2	APVD	20July2009		
3 PLC	± 0.15	DAVID		ATX POWER,DOUBLE ROW, VERTICAL, DIP,TYP.	
4 PLC	± -	PRODUCT SPEC			
ANGLES	± 3'	JS-GC03140-A1		SIZE	
MATERIAL	SEE NOTE	APPLICATION SPEC			
FINISH	SEE NOTE	ATX_01-1(A)		DRAWING NO	
PROJECTION				A3 C-01-0001	
		DIMENSIONS: mm		CUSTOMER DRAWING	SCALE 1:1
				SHEET 2 of 2	REV A1

8

7

6

5

4

3

2

1

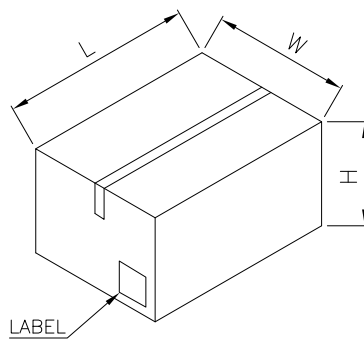
TABLE 1 :

9.3 KG	7.4 KG	6440	322	2 X 2	CF
GROSS WEIGHT	NET WEIGHT	PCS/CARTON	PCS/TRAY	POST NO.	CLIENT

TABLE 2 :

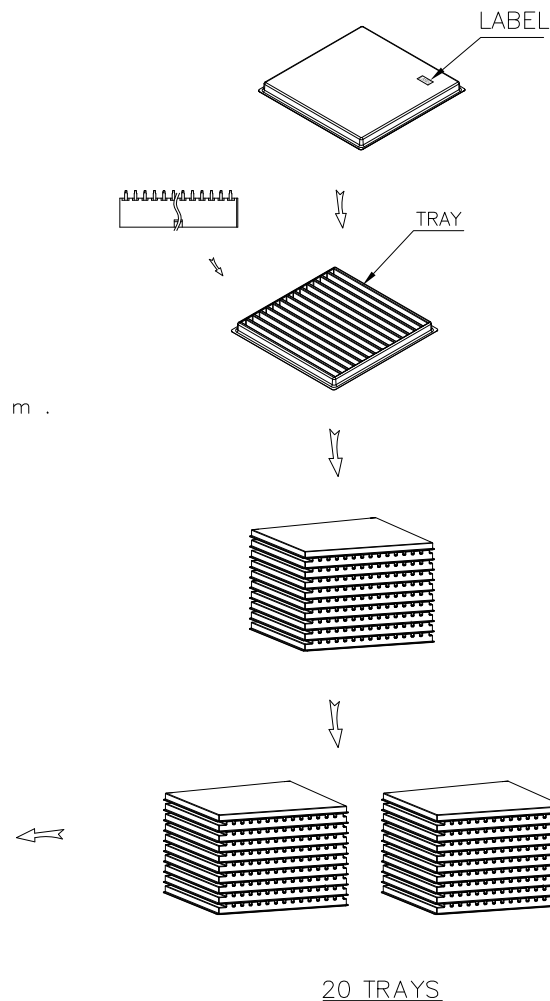
9.6 KG	7.7 KG	6720	336	2 X 2	-	01-0001-41
8.1 KG	6.2 KG	1120	56	2 X 12	AA0412924LWOW8S0	01-0001-40
					AA0412924LWOT8S0	01-0001-39
					AA0312924LCOT8S0	01-0001-38
					AA0312924LWOT8S0	01-0001-37
					AA0312924LCOT7S0	01-0001-36
					AA0212924LWOT8S0	01-0001-35
9.1KG	7.3 KG	1680	84	2 X 9	AA0312918LCOT8S0	01-0001-27
					AA0212918LWOT8S0	01-0001-26
8.5 KG	6.6 KG	1680	84	2 X 8	AA0312916LCOT8S0	01-0001-25
8.6 KG	6.7 KG	1960	98	2 X 7	AA0312914LCOT8S0	01-0001-24
9 KG	7.1 KG	2520	126	2 X 6	AA0312912LCOT8S0	01-0001-23
					AA0212912LWOT8S0	01-0001-22
8.5 KG	6.6 KG	2800	140	2 X 5	AA0412910LWOT8S0	01-0001-21
					AA0312910LCOT7S0	01-0001-20
					AA0312910LCOT8S0	01-0001-19
					AA0212910LWOT8S0	01-0001-18
9.1 KG	7.2 KG	3640	182	2 X 4	AA0312908LCOT7S0	01-0001-17
					AA0312908LCOT8S0	01-0001-16
					AA0212908LWOT8S0	01-0001-15
9.2 KG	7.3 KG	4760	238	2 X 3	AA0612906LEOT8S0	01-0001-14
					AA0412906LWOT8S0	01-0001-13
					AA0312906LEOT8S0	01-0001-12
					AA0312906LCOT7S0	01-0001-11
					AA0312906LCOT8S0	01-0001-10
9.6 KG	7.7 KG	6720	336	2 X 2	AA0212906LWOT8S0	01-0001-09
					AA0412904LWOW8S0	01-0001-08
					AA0412904LEOT8S0	01-0001-07
					AA0312904LWOT8S0	01-0001-06
					AA0312904LEOT8S0	01-0001-05
					AA0312904LCOW8S0	01-0001-04
					AA0312904LCOT7S0	01-0001-03
					AA0312904LCOT8S0	01-0001-02
					AA0212904LWOT8S0	01-0001-01
					GROSS WEIGHT	NET WEIGHT

- DIMENSION:  
 TRAY: 272 X 287 X 19 mm .  
 PARTITION: 310 X 272 mm .  
 OUTSIDE CARTON: 320 X 283 X 387 mm .
- QUANTITY:  
 (SEE TABLE)
- WEIGHT:  
 SEE TABLE
- CARTON STACK HEIGHT SHOULD NOT EXCEED 1.3 m .



SHIPPING CARTON

REV.	DESCRIPTION	DATE	DWN	APVD
A	RELEASED	20July09	YF	DV
A1	ADD PART NUMBER $\Delta$	20July09	YF	DV



20 TRAYS

TOLERANCES UNLESS OTHERWISE SPECIFIED: 0 PLC $\pm$ - 1 PLC $\pm$ 0.3 2 PLC $\pm$ 0.2 3 PLC $\pm$ 0.15 4 PLC $\pm$ - ANGLES $\pm$ 3'		DWN YONGFENG 20July2009 CHK GAVIN 20July2009 APVD DAVID 20July2009	<b>Zhongxiang Electron Science CO.,LTD</b>	
MATERIAL SEE NOTE	APPLICATION SPEC	PRODUCT SPEC	NAME	
FINISH SEE NOTE	WEIGHT	SIZE		RESTRICTED TO
PROJECTION	DIMENSIONS: MM	A3 PK-01-0001		-
CUSTOMER DRAWING		SCALE -	SHEET 1 of 2	REV A1

8

7

6

5

4

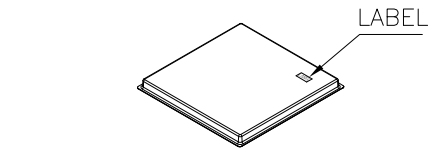
3

2

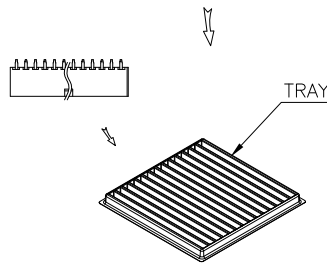
1

D  
C  
B  
A

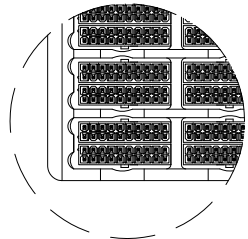
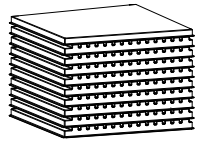
D  
C  
B  
A



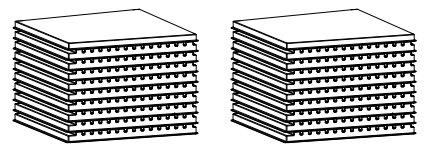
LABEL



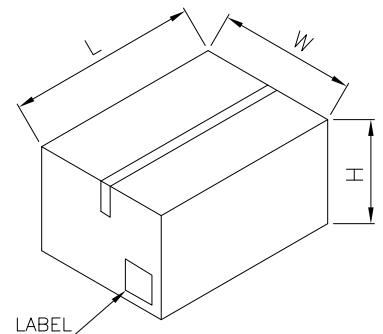
TRAY



THE PRODUCT RELEASE METHOD



20 TRAYS



SHIPPING CARTON

1. DIMENSION:  
 TARY: 272 X 287 X 19 mm .  
 PARTITION: 310 X 272 mm .  
 OUTSIDE CARTON: 320 X 283 X 387 mm .
2. QUANTITY:  
 SEE TABLE
3. WEIGHT:  
 SEE TABLE
4. CARTON STACK HEIGHT SHOULD NOT EXCEED 1.3 m.

9.1 KG	7.2 KG	2000	100	2 X 10	AA0612920LE0T8S0	01-0001-34
					AA0412920LW0W8S0	01-0001-33
					AA0412920LE0T8S0	01-0001-32
					AA0312920LC0T7S0	01-0001-31
					AA0312920LC0T8S0	01-0001-30
					AA0312920LW0T8S0	01-0001-29
					AA0212920LW0T8S0	01-0001-28
GROSS WEIGHT	NET WEIGHT	PCS/CARTON	PCS/TRAY	POST NO.	PART NUMBER(OLD)	PART NUMBER

TOLERANCES UNLESS OTHERWISE SPECIFIED:		DWN	20July2009	<b>Zhongxiang Electron Science CO.,LTD</b>				
0 PLC	± -	CHK	20July2009				PACKING INSTRUCTION DRAWINGS OF ATX POWER	
1 PLC	± 0.3	GAVIN						
2 PLC	± 0.2	APVD	20July2009					
3 PLC	± 0.15	DAVID						
4 PLC	± -	PRODUCT SPEC		NAME				
ANGLES	± 3'	APPLICATION SPEC		SIZE				
MATERIAL	SEE NOTE	PROJECT IDN		DRAWING NO				
FINISH	SEE NOTE	DIMENSIONS:		A3 PK-01-0001				
PROJECT IDN		mm		RESTRICTED TO				
PROJECT IDN		mm		CUSTOMER DRAWING				
PROJECT IDN		mm		SCALE	1:1			
PROJECT IDN		mm		SHEET	2 of 2			
PROJECT IDN		mm		REV	A1			

8                      7                      6                      5                      4                      3                      2                      1