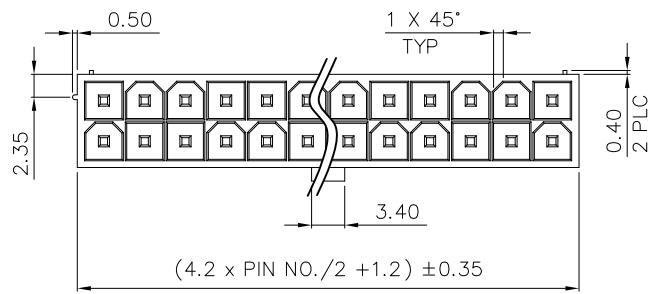
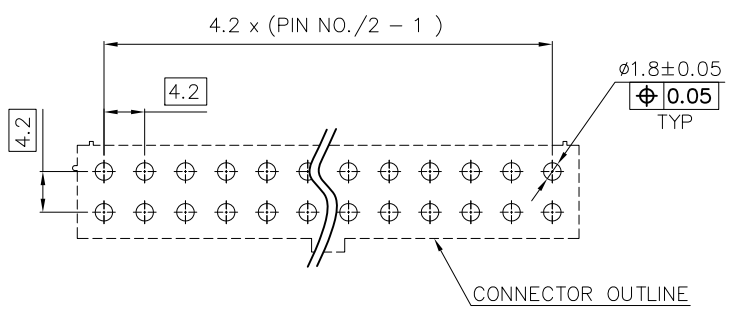
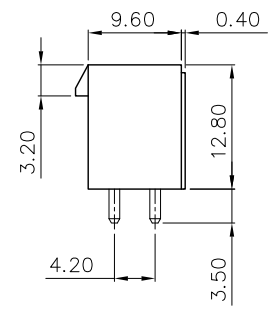
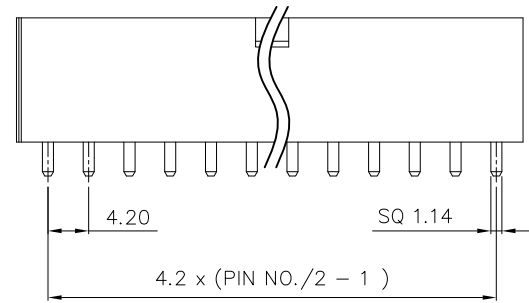


REV.	DESCRIPTION	DATE	DWN	APVD
A	RELEASED	20July09	YF	DV



NOTE:
 1.MATERIAL:
 HOUSING: (SEE TABLE), UL94 V-0, BLACK COLOR.
 POSTS: BRASS.
 2.FINISH:
 POSTS: (SEE TABLE) OVER 50μ" MIN. NICKEL.



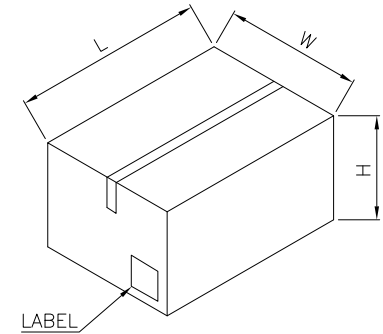
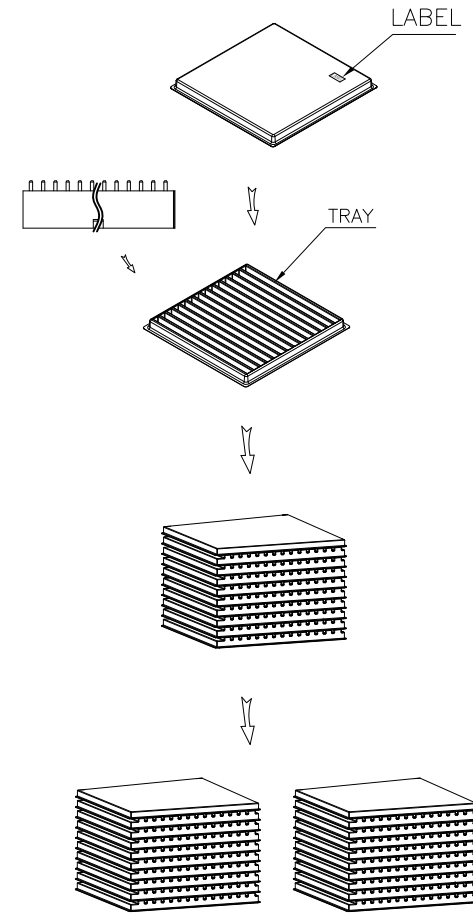
TOLERANCE: ±0.05
 RECOMMENDED PCB LAYOUT
 (TOP VIEW)

PLATING	MATERIAL	POST NO.	PART NUMBER(OLD)	PART NUMBER
BRIGHT TIN 100μ" Min	PA6T	2 X 12	AB1212724LB0T0S0	01-0005-07
		2 X 4	AB1212708LB0T0S0	01-0005-06
		2 X 3	AB1212706LB0T0S0	01-0005-05
		2 X 2	AB1212704LB0T0S0	01-0005-04
GOLD FLASH	PA66	2 X 12	AB1412724LB0T0S0	01-0005-03
		2 X 4	AB1412708LB0T0S0	01-0005-02
		2 X 4	AB1312708LB0G0S0	01-0005-01

TOLERANCES UNLESS	DWN	20July2009	Zhongxiang Electron Science CO.,LTD		
0 PLC ± -	CHK	YONGFENG			
1 PLC ± 0.3	APVD	GAVIN			
2 PLC ± 0.2	PRODUCT SPEC	DAVID			
3 PLC ± 0.15	MATERIAL	JS-GC03140-A1	ATX POWER,DOUBLE ROW, VERTICAL, DIP,TYP.		
4 PLC ± -	FINISH	SEE NOTE			
ANGLES ± 3°	APPLICATION SPEC	ATX_01-1(A)	SIZE	DRAWING NO	RESTRICTED TO
	PROJECTION		A3	C-01-0005	-
			CUSTOMER DRAWING		SCALE 1:1
			DIMENSIONS: mm		SHEET 1 of 1
					REV A

REV.	DESCRIPTION	DATE	DWN	APVD
A	RELEASED	20July09	YF	DV

- DIMENSION:
 TARY: 272 X 287 X 19 mm .
 PARTITION: 310 X 272 mm .
 OUTSIDE CARTON: 320 X 283 X 387 mm .
- QUANTITY:
 SEE TABLE.
- WEIGHT:
 SEE TABLE
- CARTON STACK HEIGHT SHOULD NOT EXCEED 1.3 m .



20 TRAYS

SHIPPING CARTON

10.4 KG	8.5 KG	1120	56	2 X 12	AB1212724LB0T0S0	01-0005-07
11.15 KG	9.25 KG	3640	182	2 X 4	AB1212708LB0T0S0	01-0005-06
14.25 KG	12.35 KG	4760	238	2 X 3	AB1212706LB0T0S0	01-0005-05
15.32 KG	13.42 KG	6720	336	2 X 2	AB1212704LB0T0S0	01-0005-04
10.4 KG	8.5 KG	1120	56	2 X 12	AB1412724LB0T0S0	01-0005-03
11.1 KG	9.2 KG	3640	182	2 X 4	AB1412708LB0T0S0	01-0005-02
					AB1312708LB0G0S0	01-0005-01
GROSS WEIGHT	NET WEIGHT	PCS/CARTON	PCS/TRAY	POST NO.	PART NUMBER(DLD)	PART NUMBER

TOLERANCES UNLESS OTHERWISE SPECIFIED: 0 PLC ± - 1 PLC ± 0.3 2 PLC ± 0.2 3 PLC ± 0.15 4 PLC ± - ANGLES ± 3'		DWN YONGFENG 20July2009	Zhongxiang Electron Science CO.,LTD	
MATERIAL SEE NOTE		CHK GAVIN 20July2009		
FINISH SEE NOTE		APVD DAVID 20July2009	NAME	
PROJECT IDN 		PRODUCT SPEC	PACKING INSTRUCTION DRAWINGS OF ATX POWER	
APPLICATION SPEC		WEIGHT	SIZE A3	DRAWING NO PK-01-0005
DIMENSIONS: MM		CUSTOMER DRAWING	RESTRICTED TO -	
SCALE -		SHEET 1 of 1	REV A	