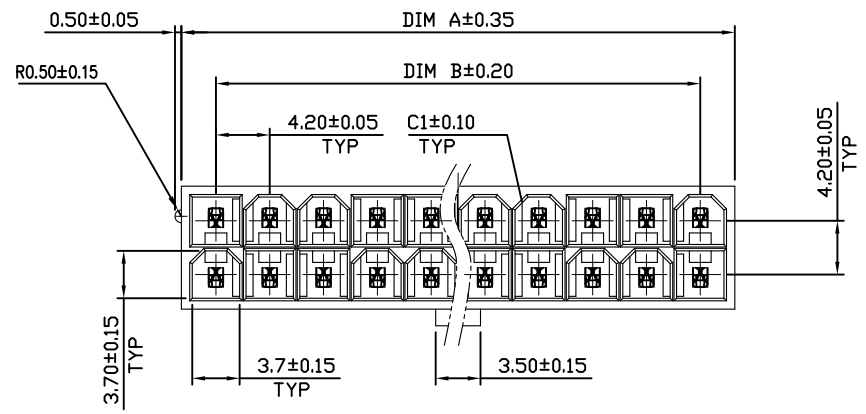
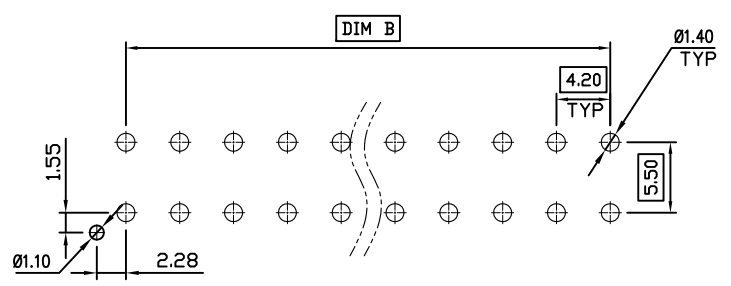
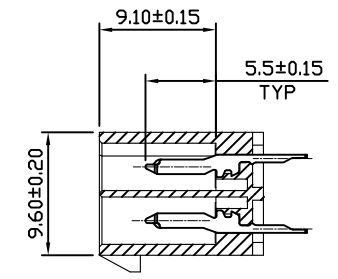
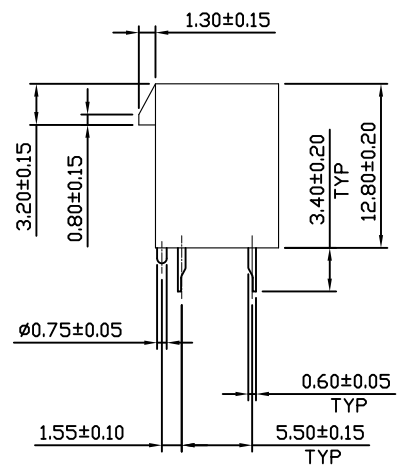
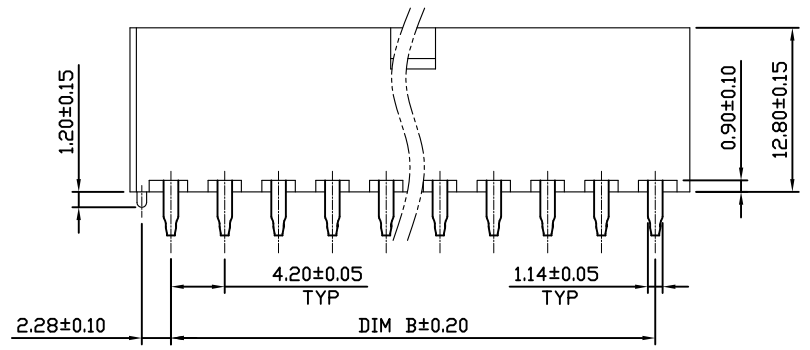


REV.	DESCRIPTION	DATE	DWN	APVD
A	RELEASED	24AUG09	AY	JY



NOTE:
 1.MATERIAL:
 HOUSING: PA9T WITH 30% G/F, UL94 V-0, IVORY COLOR.
 CONTACTS: BRASS.
 2.FINISH:
 △CONTACTS: 100μ" MIN. (SEE TABLE) TIN OVER 50μ" MIN. NICKEL.
 △CONTACTS: GOLD FLASH OVER 50μ" MIN. NICKEL.

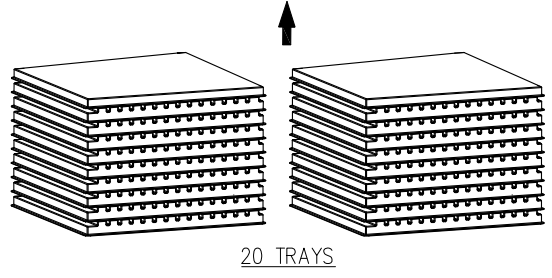
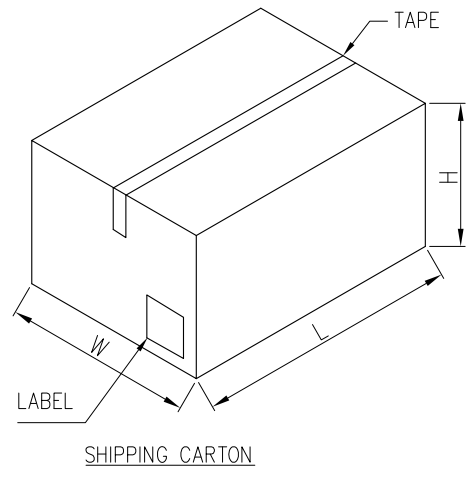
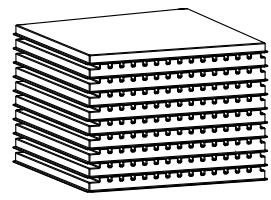
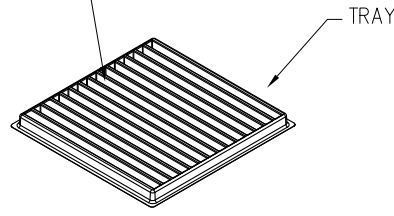
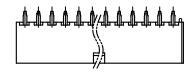
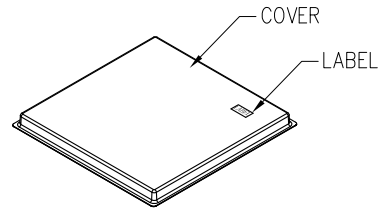


RECOMMENDED PCB LAYOUT
 TOLERANCE: ±0.05

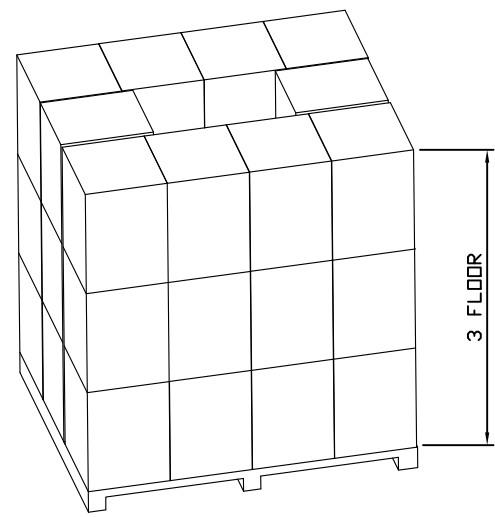
△	BRIGHT TIN	9.6	4.2	2X2	AA0512904L10T8S2	01-0012-0 2
△	G/F				AA0512904L10G8S2	01-0012-01
	PLATED	DIM A	DIM B	POST	OLD PRAT NO.	PART NUMBER

TOLERANCES UNLESS OTHERWISE SPECIFIED: 0 PLC ± - 1 PLC ± 0.3 2 PLC ± 0.2 3 PLC ± 0.15 4 PLC ± - ANGLES ± 3°	DWN ANDY_XIAO 24AUG2009	Zhongxiang Electron Science CO.,LTD				
MATERIAL SEE NOTE	CHK GAVIN_CHEN 24AUG2009					
FINISH SEE NOTE	APVD JACKY YANG 24AUG2009	NAME				ATX POWER CONNECTOR VERTICAL, DIP.
PROJECTION	PRODUCT SPEC JS-GC03140-A1	SIZE A3	DRAWING NO C-01-0012	RESTRICTED TO -		
	APPLICATION SPEC ATX_01-1(A)	WEIGHT	CUSTOMER DRAWING			SCALE
	DIMENSIONS: MM	SHEET 1 of 1		REV A		

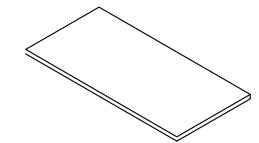
REV.	DESCRIPTION	DATE	DWN	APVD
A	RELEASED	24AUG09	AY	JY



- DIMENSION:
TARY: 272 X 281 X 19 mm
PARTITION: 546X282 mm
OUTSIDE CARTON: 556 X 292 X 195 mm
- QUANTITY:
(SEE TABLE)
- WEIGHT :
(SEE TABLE)



STACK DIAGRAM



PARTITION*2PCS
PRODUCTS BEFORE ADD
THE RELEASE 1PCS
PRODUCTS INSTALLED
AFTER THE RELEASE
1PCS

BOM:

PRAT NAME	MATERIAL	PRAT NO.
SHIPPING CARTON	K=A	PK-3038
TARY	PVC	PK-1016
COVER OF TARY	PVC	PK-1016-1
PARTITION	K-A	PK-4006

9.6 kg	7.7 kg	6720	336	2X2	AA0512904L1078S2	01-0012-0 2
					AA0512904L10G8S2	01-0012-01
G.W/(kg)	N.W/(kg)	PCS/CARTON	PCS/TRAY	POST	OLD PRAT NO.	NEW PRAT NO.

TOLERANCES UNLESS OTHERWISE SPECIFIED:	DWN 24AUG2009	Zhongxiang Electron Science CO.,LTD
0 PLC ± -	CHK 24AUG2009	
1 PLC ±	GAVIN_CHEN	
2 PLC ±	APVD 24AUG2009	
3 PLC ±	JACKY YANG	
4 PLC ± -	PRODUCT SPEC	NAME
ANGLES ±	JS-GC03140-A1	ATX POWER CONNECTOR VERTICAL, DIP.
MATERIAL	SEE NOTE	APPLICATION SPEC
FINISH	SEE NOTE	ATX_01-1(A)
PROJECTION	WEIGHT	SIZE DRAWING NO
		A3 PK-01-0012
	DIMENSIONS: MM	PACKING DRAWINGS
		SCALE - SHEET 1 of 1 REV A

D
C
B
A

D
C
B
A

8 7 6 5 4 3 2 1