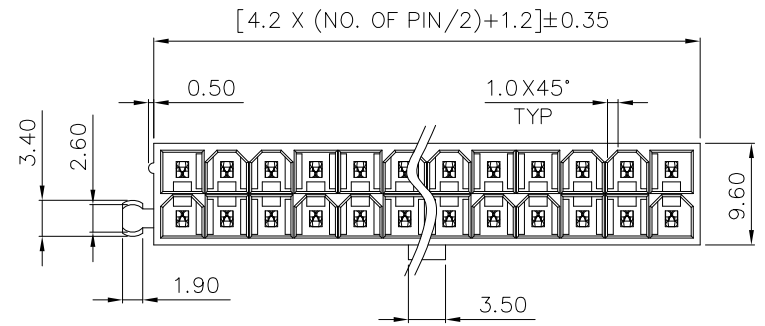
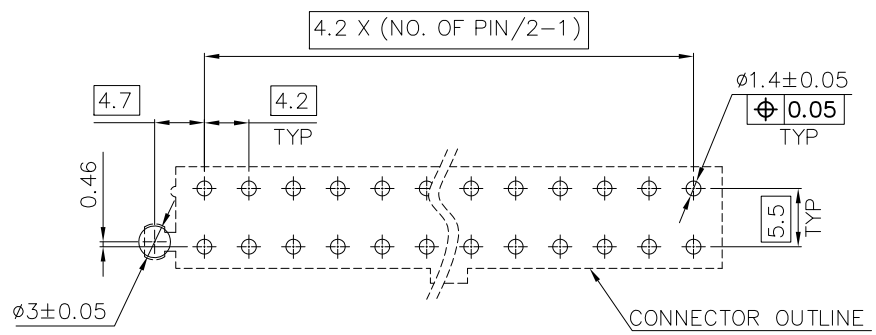
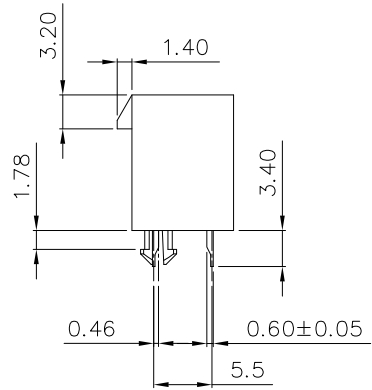
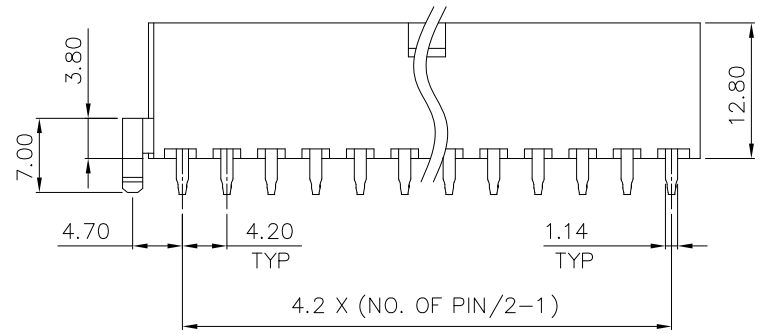


REV.	DESCRIPTION	DATE	DWN	APVD
A	RELEASED	20July09	YF	DV
A1		12JAN10	AX	JY



NOTE:  
 1.MATERIAL:  
 HOUSING: (SEE TABLE), UL94 V-0, WHITE COLOR.  
 CONTACTS: BRASS.  
 2.FINISH:  
 CONTACTS: 100μ" MIN. (SEE TABLE) TIN OVER 50μ" MIN. NICKEL.



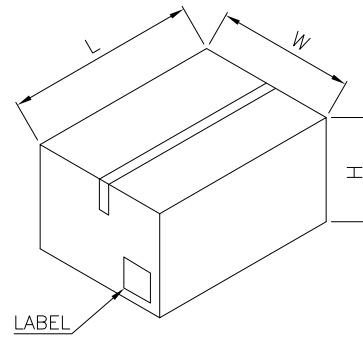
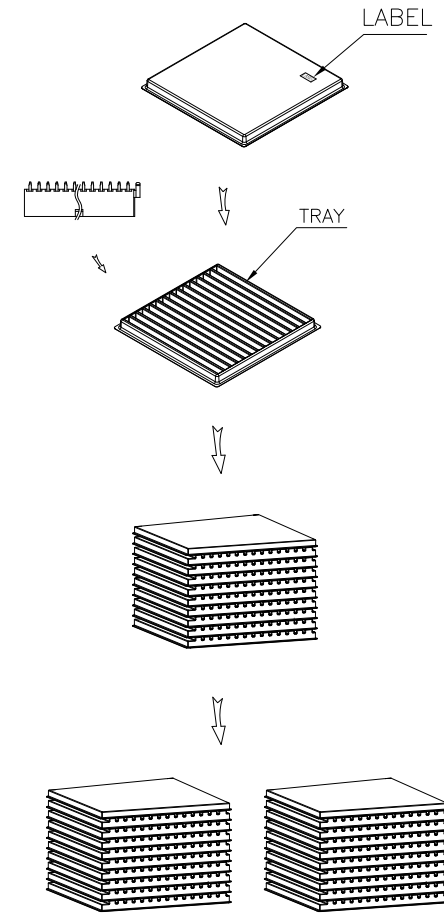
TOLERANCE: ±0.05  
 RECOMMENDED PCB LAYOUT  
 (TOP VIEW)

	PA6T	MATTE TIN	2 x 10	AA2212920LW0T8S0	01-0002-10
	PA46	MATTE TIN	2 x 12	AA2412924LW0W8S0	01-0002-09
	PA6T	BRIGHT TIN	2 x 12	AA2212924LW0T8S0	01-0002-08
			2 x 6	AA2212912LW0T8S0	01-0002-07
			2 x 5	AA2212910LW0T8S0	01-0002-06
			2 x 4	AA2212908LW0T8S0	01-0002-05
	PA46	MATTE TIN	2 x 3	AA2412906LW0W8S0	01-0002-04
	PA6T	BRIGHT TIN	2 x 3	AA2212906LW0T8S0	01-0002-03
			2 x 2	AA2212904LW0T8S0	01-0002-01
	MATERIAL	PLATING	POST NO.	PART NUMBER<OLD>	PART NUMBER

TOLERANCES UNLESS OTHERWISE SPECIFIED:		DWN	12JAN2010	<b>Zhongxiang Electron Science CO.,LTD</b>	
0 PLC	± -	ANDY_XIAO			
1 PLC	± 0.3	CHK	12JAN2010		
2 PLC	± 0.2	GAVIN_CHEN			
3 PLC	± 0.15	APVD	12JAN2010	NAME	
4 PLC	± -	JACKY_YANG		ATX POWER,DOUBLE ROW, VERTICAL, DIP,TYP.	
ANGLES	± 3°	PRODUCT SPEC		SIZE	
MATERIAL		JS-GC03140-A1		DRAWING NO	
SEE NOTE		APPLICATION SPEC		RESTRICTED TO	
FINISH		ATX_01-1(A)		A3 C-01-0002	
SEE NOTE		DIMENSIONS:		CUSTOMER DRAWING	
PROJECTION		mm		SCALE 1:1	
				SHEET 1 of 1	
				REV A1	

REV.	DESCRIPTION	DATE	DWN	APVD
A	RELEASED	20July09	YF	DV
A1		25SEP09	AX	JY

- DIMENSION:  
 TARY: 272 X 287 X 19 mm .  
 PARTITION: 310 X 272 mm .  
 OUTSIDE CARTON: 320 X 283 X 387 mm.
- QUANTITY:  
 SEE TABLE.
- WEIGHT:  
 SEE TABLE
- CARTON STACK HEIGHT SHOULD NOT EXCEED 1.3 m.



SHIPPING CARTON

10.26 KG	8.36 KG	2000	100	2 x 10	AA2212920LW0T8S0	01-0002-10	
8.3 KG	6.4 KG	1120	56	2 x 12	AA2412924LW0W8S0	01-0002-09	
					AA2212924LW0T8S0	01-0002-08	
8.28 KG	6.38 KG	2520	126	2 x 6	AA2212912LW0T8S0	01-0002-07	
8.3 KG	6.4 KG	2520	126	2 x 5	AA2212910LW0T8S0	01-0002-06	
8.5 KG	6.6 KG	3080	154	2 x 4	AA2212906LW0T8S0	01-0002-05	
					AA2412906LW0W8S0	01-0002-04	
8.6 KG	6.7 KG	3920	196	2 x 3	AA2212906LW0W8S0	01-0002-03	
					AA2212906LW0T8S0	01-0002-02	
8.4 KG	6.5 KG	5320	266	2 x 2	AA2212904LW0T8S0	01-0002-01	
GROSS/ WEIGHT	NET/ WEIGHT	PCS/ CARTON	PCS/ TRAY	POST NO.	PART NUMBER(OLD)	PART NUMBER	

20 TRAYS

TOLERANCES UNLESS OTHERWISE SPECIFIED: 0 PLC ± 0.1 1 PLC ± 0.3 2 PLC ± 0.2 3 PLC ± 0.15 4 PLC ± 0.1 ANGLES ± 3'	DWN ANDY_XIAO 25SEP2009 CHK GAVIN_CHEN 25SEP2009 APVD JACKY_YANG 25SEP2009	<b>Zhongxiang Electron Science CO.,LTD</b>	
MATERIAL SEE NOTE	APPLICATION SPEC	PACKING INSTRUCTION DRAWINGS OF ATX POWER	
FINISH SEE NOTE	WEIGHT SEE TABLE	SIZE A3	DRAWING NO PK-01-0002
PROJECTION	DIMENSIONS: MM	CUSTOMER DRAWING	RESTRICTED TO -
		SCALE -	SHEET 1 of 1
			REV A1

8

7

6

5

4

3

2

1