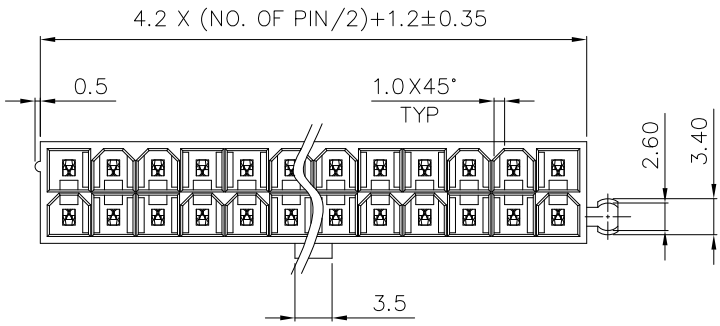
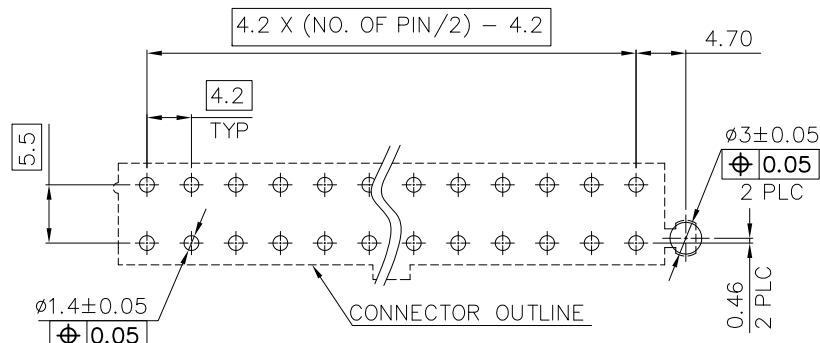
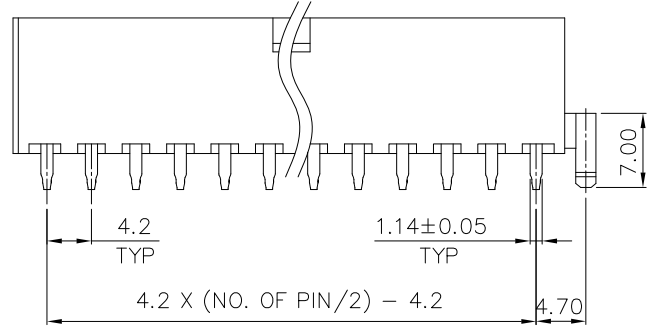
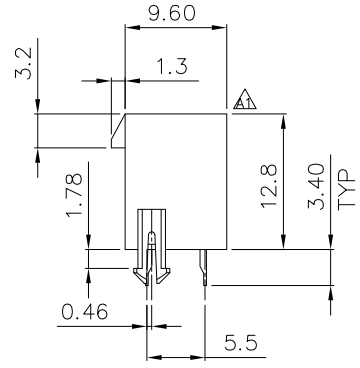


REV.	DESCRIPTION	DATE	DWN	APVD
A1	RELEASED	11Aug09	DY	JY



NOTE:
 1.MATERIAL:
 HOUSING: PA6T, UL94 V-0, WHITE COLOR.
 CONTACTS: BRASS.
 2.FINISH:
 CONTACTS: 100μ" MIN. MATTE-TIN OVER 50μ" MIN. NICKEL.



TOLERANCE: ±0.05
 RECOMMENDED PCB LAYOUT
 (TOP VIEW)

2 X 4	AA3212908LW0T8S0	01-0008-02
2 X 2	AA3212904LW0T8S0	01-0008-01
POST NO.	PART NUMBER(OLD)	PART NUMBER

TOLERANCES UNLESS OTHERWISE SPECIFIED:		DWN	11Aug2009	Zhongxiang Electron Science CO.,LTD	
0 PLC	± -	CHK	ANDY_XIAO		
1 PLC	± 0.3	CHK	GAVIN_CHEN	NAME	
2 PLC	± 0.2	APVD	JACKY YANG		
3 PLC	± 0.15	PRODUCT SPEC		ATX POWER,DOUBLE ROW, VERTICAL, DIP,TYP.	
4 PLC	± -	JS-GC03140-A1			
ANGLES	± 3'	APPLICATION SPEC		SIZE	
MATERIAL		ATX_01-1(A)			
SEE NOTE		PROJECTION		A3 C-01-0008	
SEE NOTE		DIMENSIONS:		CUSTOMER DRAWING	
SEE NOTE		mm		SCALE 1:1	
PROJECTION		SHEET		1 of 1	
REV		A1		RESTRICTED TO	
REV		A1		-	

REV.	DESCRIPTION	DATE	DWN	APVD
A	RELEASED	20July09	Y.F	DV

1. DIMENSION:

TARY: 272 X 287 X 19 mm.

PARTITION: 310 X 272 mm.

OUTSIDE CARTON: 320 X 283 X 387 mm.

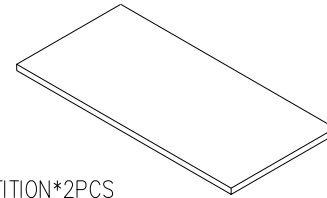
2. QUANTITY:

SEE TABLE

3. WEIGHT:

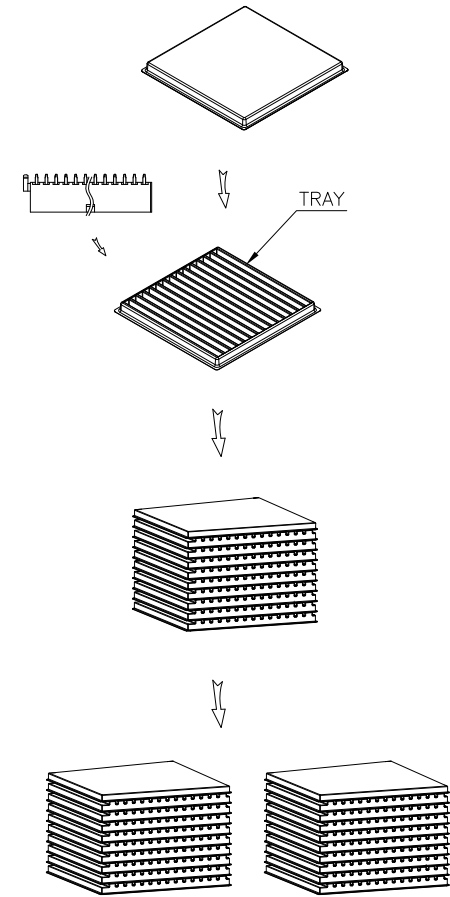
SEE TABLE

4. CARTON STACK HEIGHT SHOULD NOT EXCEED 1.3 m .

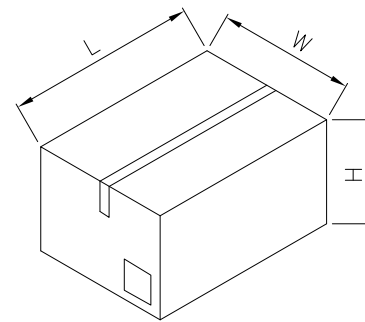


PARTITION*2PCS

PRODUCTS BEFORE ADD THE RELEASE 1PCS
 PRODUCTS INSTALLED AFTER THE RELEASE 1PCS



20 TRAYS



SHIPPING CARTON

8.5 KG	6.6 KG	3080	154	2 X 4	AA3212908LW078S0	01-0008-02
8.4 KG	6.5 KG	5320	266	2 X 2	AA3212904LW078S0	01-0008-01
GROSS WEIGHT	NET WEIGHT	PCS/CARTON	PCS/TRAY	POST NO.	PART NUMBER(DLD)	PART NUMBER

TOLERANCES UNLESS OTHERWISE SPECIFIED: 0 PLC ± 1 PLC ± 2 PLC ± 3 PLC ± 4 PLC ± ANGLES ±	DWN YONGFENG 20July2009 CHK Gavin 20July2009 APVD David 20July2009 PRODUCT SPEC	Zhongxiang Electron Science CO.,LTD			
MATERIAL SEE NOTE	APPLICATION SPEC	PACKING INSTRUCTION DRAWINGS OF ATX POWER			
FINISH SEE NOTE	WEIGHT	SIZE A3	DRAWING NO PK-01-0008	RESTRICTED TO -	
PROJECTION	DIMENSIONS: MM	CUSTOMER DRAWING	SCALE -	SHEET 1 of 1	REV A

8

7

6

5

4

3

2

1