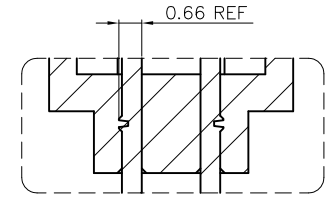
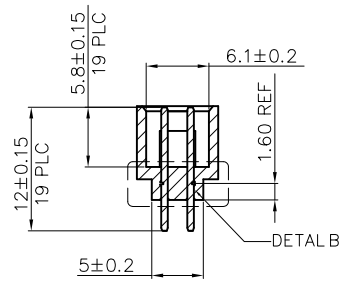
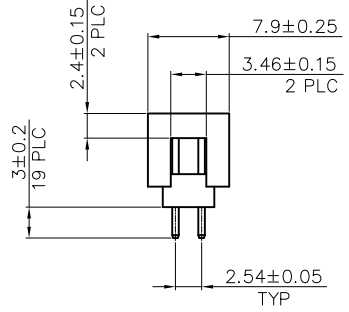
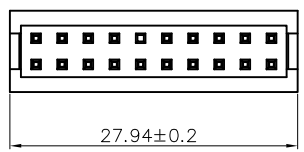
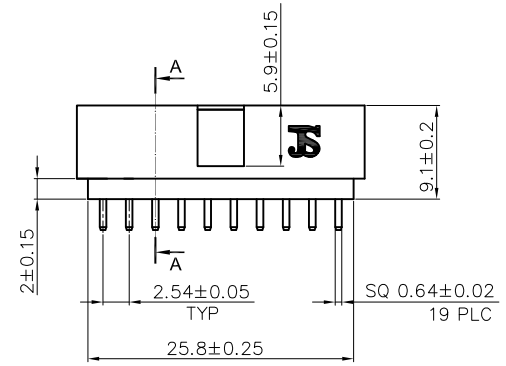
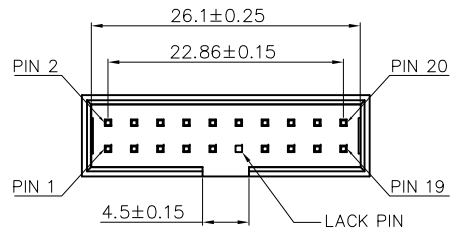


REV.	DESCRIPTION	DATE	DWN	APVD
A	RELEASED	11July09	MD	DZ



DETAIL B  
3:1

SECTION A-A  
1:1

NOTES:

1.MATERIAL:

HOUSING: PA46 WITH 30% G.F, UL94V-0; BLACK COLOR.  
POSTS: COPPER ALLOY.

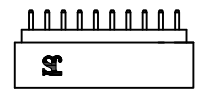
2.POSTS:

POSTS: 0.8 μ" MIN. GOLD FLASH OVER 50μ" MIN. NICKEL PLATED.

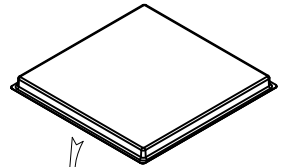
20	11 <sup>th</sup>	04-0032-01
PIN NUMBER	LACK PIN	PART NUMBER

TOLERANCES UNLESS OTHERWISE SPECIFIED:		DWN 11July2009		<b>Zhongxiang Electron Science CO.,LTD</b>	
0 PLC	± -	CHK	11July2009		
1 PLC	± 0.3	Gavin_Chen			
2 PLC	± 0.2	APVD	11July2009		
3 PLC	± 0.15	David_Zhong		NAME	
4 PLC	± -	PRODUCT SPEC		BOX HEADER ,VERTICAL ,DIP, TYPE	
ANGLES	± 3'	APPLICATION SPEC		SIZE	
MATERIAL	SEE NOTE	JS-03135-A1		DRAWING NO	
FINISH	SEE NOTE	BOX HEADER_01-1(A)		RESTRICTED TO	
PROJECTION	SEE NOTE	WEIGHT		A3 C-04-0032	
DIMENSIONS: MM		CUSTOMER DRAWING		SCALE	-
		SHEET		1 of 1	REV A

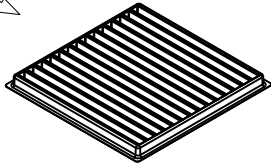
REV.	DESCRIPTION	DATE	DWN	APVD
A	RELEASED	11July09	MD	DZ



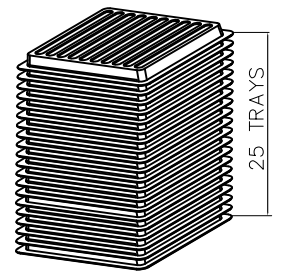
PRODUCT.



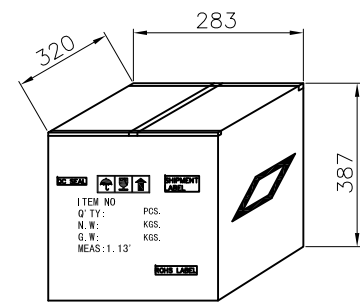
TOP COVER.



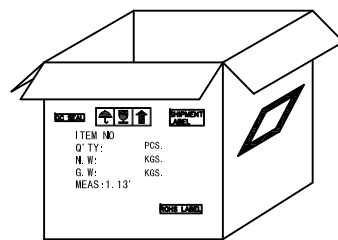
TRAY.



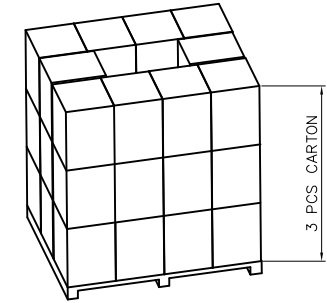
PILED TRAY AND COVER.



SEAL CARTON.



OUTSIDE CARTON.



STACK DIAGRAM

1. DIMENSION:  
 TARY: 315\*275\*12mm  
 OUTSIDE CARTON: 320\*283\*387 mm
2. QUANTITY:  
 180 PCS / TRAY.  
 4500 PCS / OUTSIDE CARTON
3. WEIGHT:  
 GROSS WEIGHT : 11.3 Kg  
 NET WEIGHT : 8.8 Kg
4. CARTON STACK HEIGHT SHOULD NOT EXCEED 1.3 m.

4500	180	11.3 Kg	8.8 Kg	11 <sup>th</sup>	20	04-0032-01
PCS / CARTON	PCS / TRAY	GROSS WEIGHT	NET WEIGHT	LACK PIN	POSTS NUMBER	PART NUMBER

TOLERANCES UNLESS OTHERWISE SPECIFIED:		DWN 11July2009		<b>Zhongxiang Electron Science CO.,LTD</b>				
0 PLC	± -	CHK 11July2009					NAME	
1 PLC	± 0.3	Gavin Chen					BOX HEADER ,VERTICAL ,DIP, TYPE	
2 PLC	± 0.2	APVD 11July2009					SIZE DRAWING NO	
3 PLC	± 0.15	PRODUCT SPEC		RESTRICTED TO				
4 PLC	± -	MATERIAL		A3 PK-04-0032				
ANGLES	± 3'	FINISH SEE NOTE		DIMENSIONS: MM				
PROJECTION		APPLICATION SREC		CUSTOMER DRAWING				
WEIGHT		SCALE -		SHEET 1 of 1				
REV A		REV A		REV A				