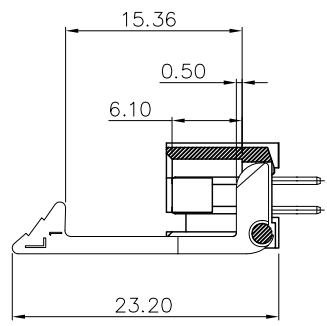
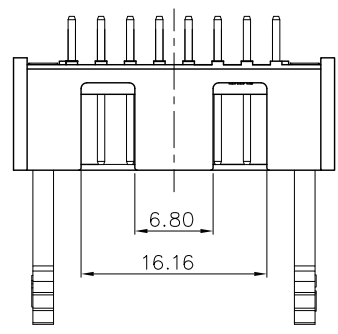


REV.	DESCRIPTION	DATE	DWN	APVD
A	RELEASED	19Aug09	MO	JK



SECTION A-A
1:1

NOTES:

1. MATERIAL:

HOUSING: PA9T WITH 30% G.F, UL94V-0, BLACK COLOR .

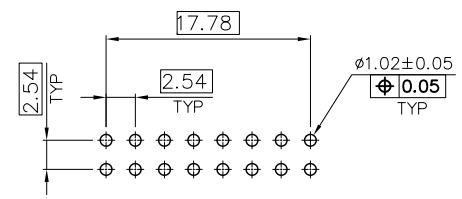
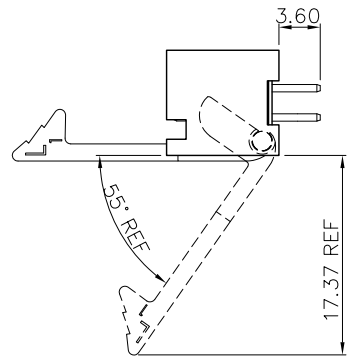
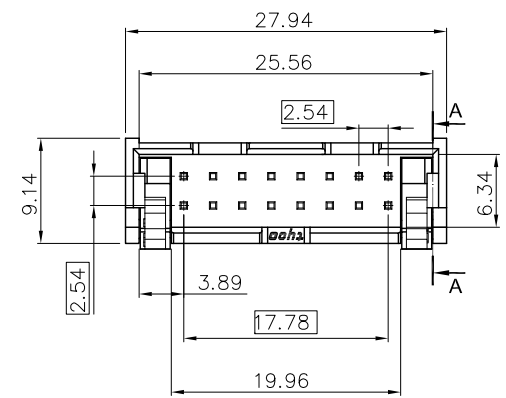
POSTS: COPPER ALLOY.

2. POSTS:

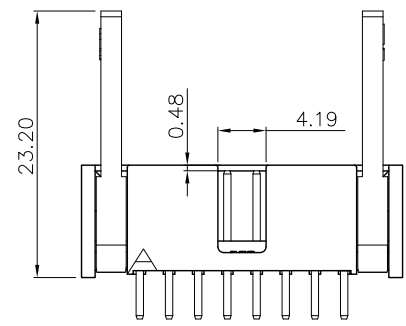
30μ" GOLD PLATED ON CONTACT AREA

100μ" MIN. BRIGHT-TIN PLATING ON SOLDER TAILS

50μ" MIN. NICKEL UNDERPLATING OVER ALL.



TOLERANCE: ±0.05,
RECOMMENDED PCB LAYOUT
(TOP VIEW)



04-0042-01
PART NUMBER

TOLERANCES UNLESS OTHERWISE SPECIFIED: 0 PLC ± - 1 PLC ± 0.3 2 PLC ± 0.2 3 PLC ± 0.15 4 PLC ± - ANGLES ± 3°	DWN	Mounz_Peng	19Aug2009	Zhongxiang Electron Science CO.,LTD BOX HEADER ,RIGHT ANGLE ,DIP, TYPE.		
	CHK	Gavin_Chen	19Aug2009			
	APVD	Jacky_Yang	19Aug2009			
	PRODUCT SPEC	JS-GC03135-A1				
MATERIAL	SEE NOTE	APPLICATION SPEC	BOX HEADER_01-1(A)	SIZE	DRAWING NO	RESTRICTED TO
FINISH	SEE NOTE	WEIGHT		A3	C-04-0042	-
PROJECTION		DIMENSIONS:	MM	CUSTOMER DRAWING	SCALE	SHEET
					-	1 of 1
						REV
						A