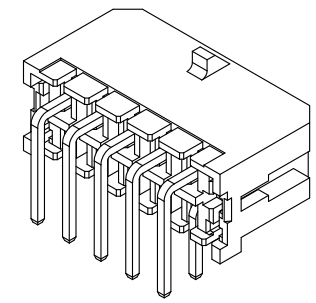
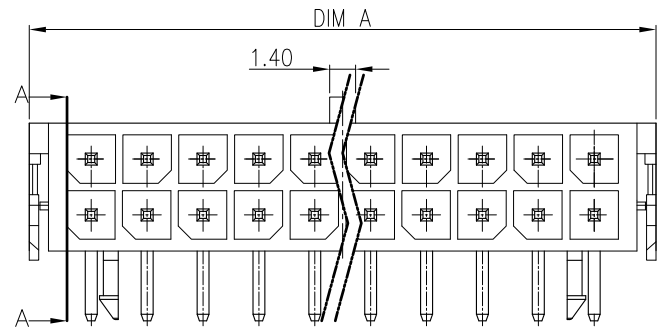
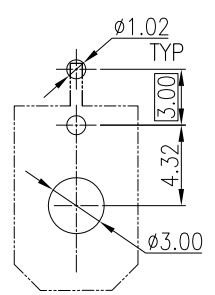
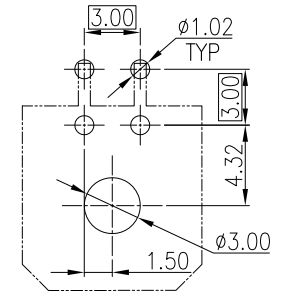
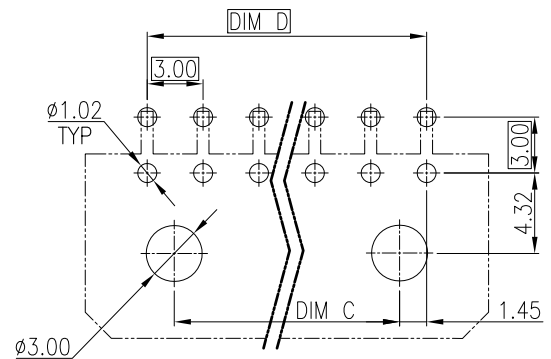
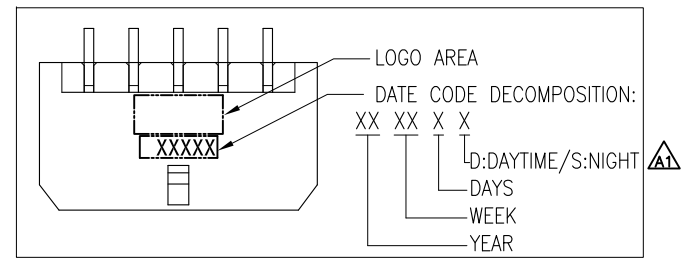
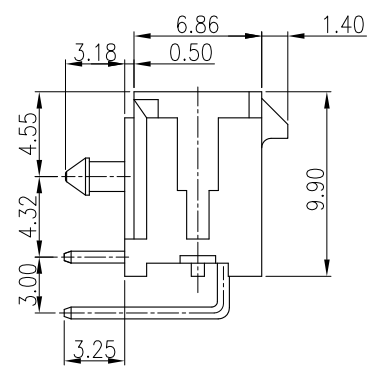
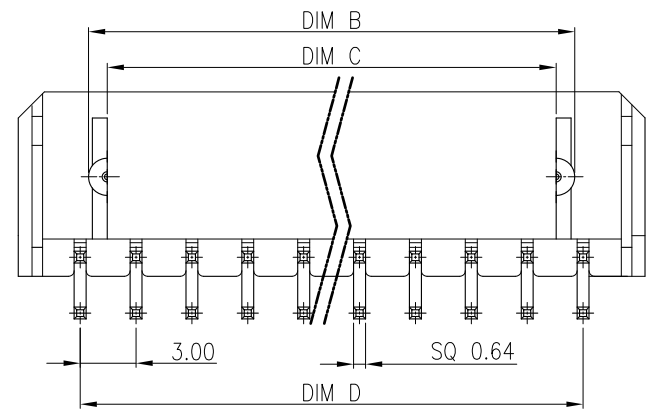


REV.	DESCRIPTION	DATE	DWN	APVD
A	RELEASED	08Jul09	YF	DZ
A1		09Jan10	AX	JY



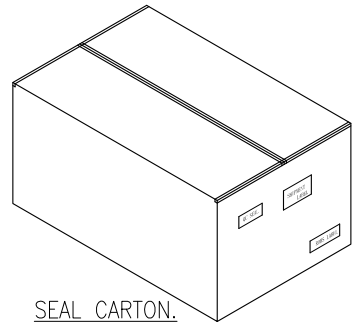
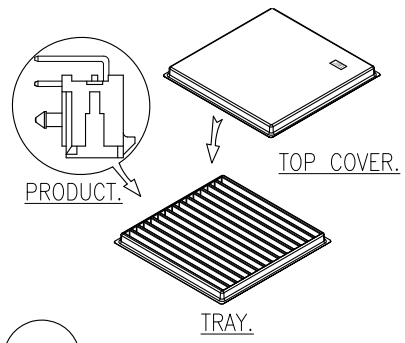
NOTE:
 1.MATERIAL:
 HOUSING: NY46 WITH 30%GF, UL 94V-0, COLOR: BLACK.
 CONTACT: BRASS
 2.CONTACTS: 2.54 μ m [100 μ "] MIN. (SEE TABLE) TIN OVER
 1.27 μ m [50 μ "] MIN. NICKEL PLATED.



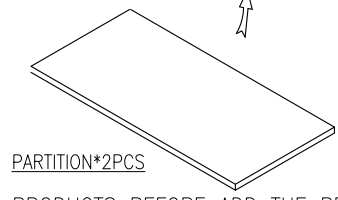
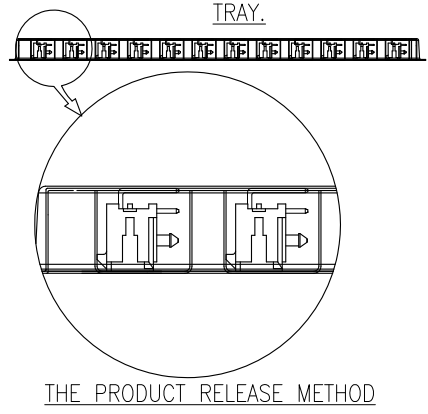
-	33.00	30.10	32.10	39.65	BRIGHT TIN	2*12	-----	03-0001-08
-	18.00	15.10	17.10	24.65		2*7	-----	03-0001-07
-	-	1.40	3.40	6.65	MATTE TIN	2*1	-----	03-0001-06
-	27.00	24.10	26.10	33.65		2*10	HB0917920JBOWOR0	03-0001-05
YES	12.00	9.10	11.10	18.65	BRIGHT TIN	2*5	HB0917910JBOWOR1	03-0001-04
-	3.00	1.40	3.40	9.65			HB0917910JBOWOR0	03-0001-03
-					MATTE TIN	2*2	HB0917904JBOWOR0	03-0001-02
-							HB0917904JBOWOR0	03-0001-01
WITH LOGO	DIM D	DIM C	DIM B	DIM A	TERMINAL PLATING	POLES	OLD PRAT NO.	NEW PRAT NO.

TOLERANCES UNLESS OTHERWISE SPECIFIED: 0 PLC ± - 1 PLC ± 0.3 2 PLC ± 0.2 3 PLC ± 0.15 4 PLC ± - ANGLES ± 3°	DWN ANDY_XIAO 09Jan2010 CHK GAVIN_CHEN 09Jan2010 APVD JACKY YANG 09Jan2010	Zhongxiang Electron Science CO.,LTD	
MATERIAL SEE NOTE	PRODUCT SPEC JS-GC03139-A1	NAME BTX POWER CONNECTOR RIGHT ANGLE TYPE	
FINISH SEE NOTE	APPLICATION SPEC	SIZE A3	DRAWING NO C-03-0001
PROJECTION 	WEIGHT	RESTRICTED TO -	
DIMENSIONS: 	MM	CUSTOMER DRAWING	SCALE - SHEET 1 of 1 REV A1

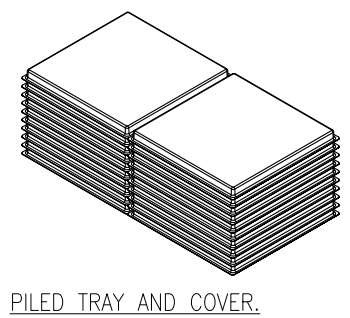
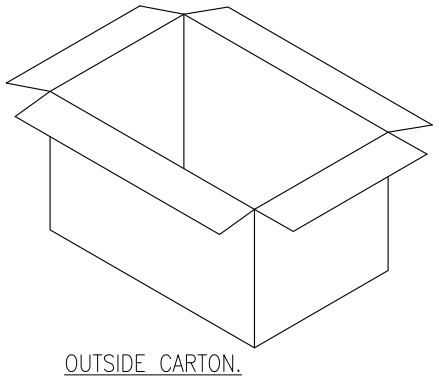
REV.	DESCRIPTION	DATE	DWN	APVD
A	RELEASED	08Jul09	YF	DZ



1. DIMENSION:
TARY: 235 * 269 * 12 mm.
PARTITION: 475*280 mm
OUTSIDE CARTON: 485 X 290 X 320 mm
2. QUANTITY:
48 TRAYS/CARTON (SEE TABLE)
3. WEIGHT :
(SEE TABLE)



PRODUCTS BEFORE ADD THE RELEASE 1PCS
PRODUCTS INSTALLED AFTER THE RELEASE 1PCS



12.5 KG	11.0 KG	3456	72	2*12	-----	03-0001-08
11.7 KG	10.2 KG	5184	108	2*7	-----	03-0001-07
11.4 KG	9.88 KG	20160	420	2*1	-----	03-0001-06
11.7 KG	10.2 KG	4032	84	2*10	HB0917920JBOT0R0	03-0001-05
11.9 KG	10.4 KG	6912	144	2*5	HB0917910JBOW0R1	03-0001-04
					HB0917910JBOW0R0	03-0001-03
11.4 KG	9.9 KG	13824	288	2*2	HB0917904JBOT0R0	03-0001-02
					HB0917904JBOW0R0	03-0001-01
G.W/(kg)	N.W/(kg)	PCS/CARTON	PCS/TRAY	POLES	OLD PRAT NO.	NEW PRAT NO.

BOM :

PART NAME:	PART NO.	DWG NO.
NO TYCO LOGO	K=A PK-3041	PK-3041
THIS TYCO LOGO	K=A PK-3056	PK-3056
TARY	PVC PK-1005	PK-1005
LID OF TARY	PVC PK-1005-1	PK-1005-1
PARTITION	K3A PK-4009	PK-4009

TOLERANCES UNLESS OTHERWISE SPECIFIED:	DWN YONGFENG 08Jul2009
0 PLC ± -	CHK GAVIN 08Jul2009
1 PLC ± 0.3	APVD DAVID 08Jul2009
2 PLC ± 0.2	PRODUCT SPEC JS-GC03139-A1
3 PLC ± 0.15	APPLICATION SPEC
4 PLC ± -	WEIGHT
ANGLES ± 3'	DIMENSIONS: MM
MATERIAL SEE NOTE	CUSTOMER DRAWING
FINISH SEE NOTE	SCALE -
PROJECTION	SHEET 1 of 1
	REV A

Zhongxiang Electron Science CO.,LTD

NAME: BTX PITCH=3.0 R/A DIP TYPE

SIZE: A3 DRAWING NO: PK-03-0001 RESTRICTED TO: -

CUSTOMER DRAWING SCALE - SHEET 1 of 1 REV A