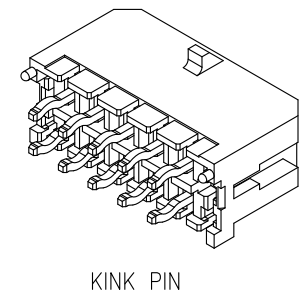
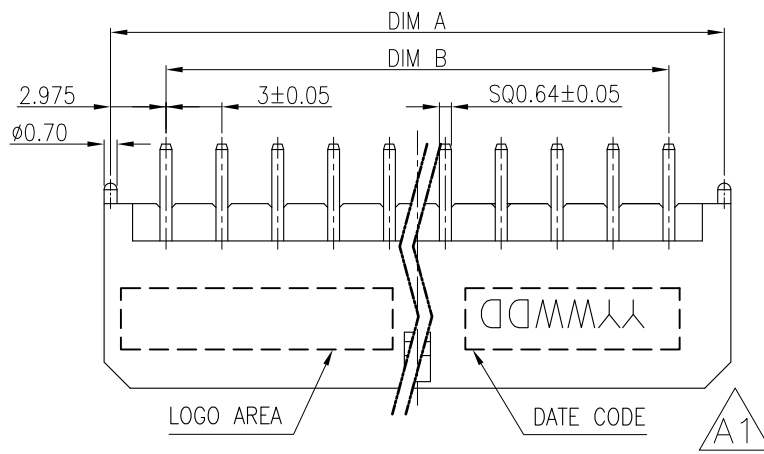
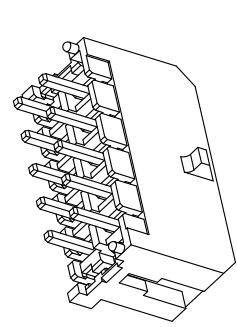
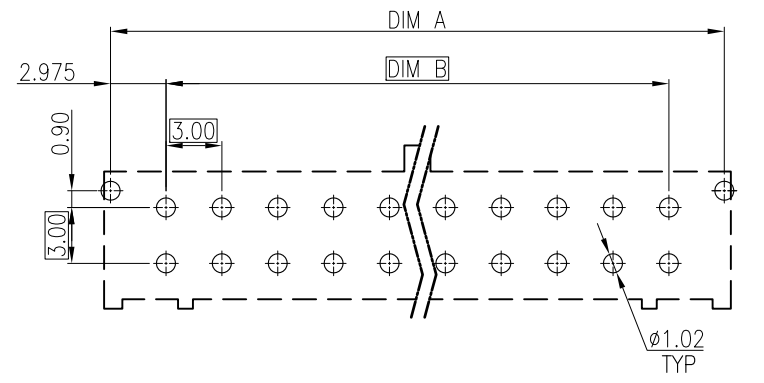
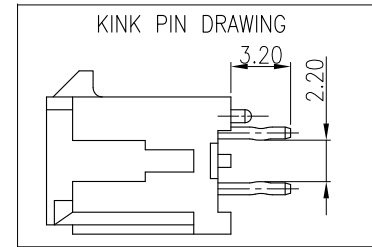
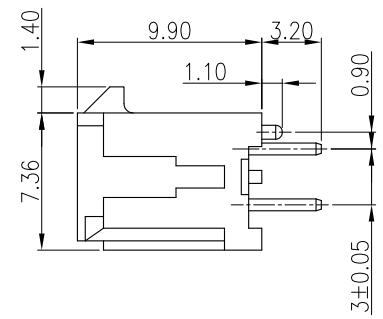
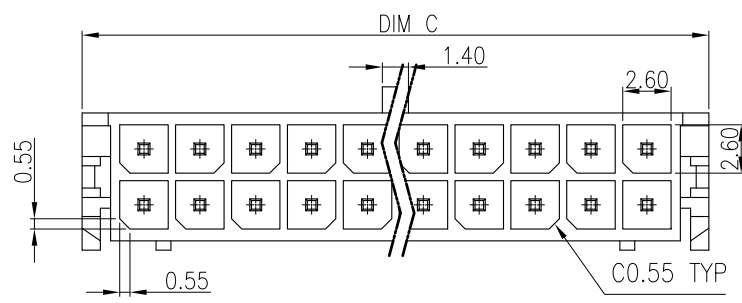


REV.	DESCRIPTION	DATE	DWN	APVD
A	RELEASED	08Jul09	YF	DZ
A1	$\triangle 1$	09Jan10	AX	JY
A2	$\triangle 2$	15Jan10	AX	JY

NOTE:
 1.MATERIAL:
 HOUSING: SEE TABLE, UL 94V-0, COLOR: BLACK.
 CONTACT: BRASS
 2.CONTACTS: 2.54 μ m [100 μ "] MIN. MATTE TIN OVER 1.27 μ m [50 μ "] MIN. NICKEL PLATED.
 \triangle CONTACTS: GOLD FLASH OVER 1.27 μ m [50 μ "] MIN. NICKEL PLATED.
 \triangle CONTACTS: GOLD 0.381 μ m [15 μ "] OVER 1.27 μ m [50 μ "] MIN. NICKEL PLATED.



KINK PIN



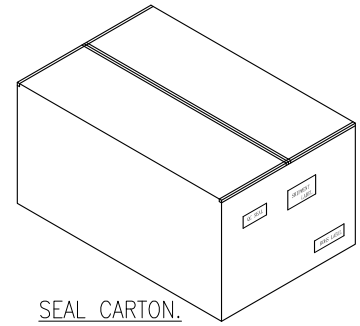
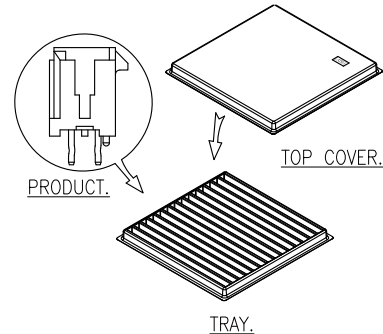
NATURAL PIN

RECOMMEND P.C.B LAYOUT
 PCB TOLERANCE:±0.05

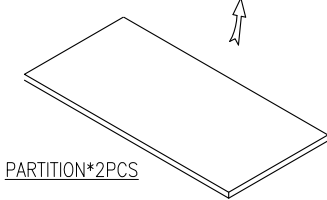
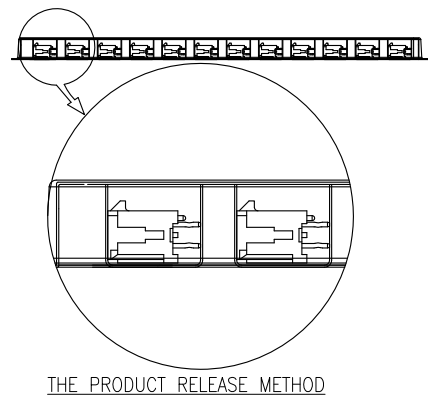
ALL	WITH LOGO	DIM C	DIM B	DIM A	HOUSING MATERIAL	TERMINAL PLATING	POLES	OLD PRAT NO.	NEW PRAT NO.
ALL	-	39.65	33.00	38.95	NY46+30%GF	MATTE TIN	2*12	-----	03-0002-08
ALL	-	30.65	24.00	29.95			2*9	-----	03-0002-07
ALL	-	18.65	12.00	17.95			2*5	-----	03-0002-06
ALL	-	15.65	9.00	14.95			2*4	-----	03-0002-05
ALL	YES	33.65	27.00	32.95	LCP	\triangle	2*10	HA0711020JB070S4	03-0002-04
-	-	12.65	6.00	11.95	NY46+30%GF	MATTE TIN	2*3	HA0911006JB0W0S0	03-0002-03
-	-	9.65	3.00	8.95	NY46	\triangle	2*2	HA0411004JB0G0S0	03-0002-02
-	-	-	-	-	NY46+30%GF	MATTE TIN		HA0911004JB0W0S0	03-0002-01

TOLERANCES UNLESS OTHERWISE SPECIFIED:		DWN 15Jan2010 ANDY_XIAO		Zhongxiang Electron Science CO.,LTD	
0 PLC	± -	CHK 15Jan2010 GAVIN_CHEN	NAME		
1 PLC	± 0.3	APVD 15Jan2010 JACKY YANG	BTX POWER CONNECTOR VERTICAL TYPE		
2 PLC	± 0.2	PRODUCT SPEC	SIZE DRAWING NO		
3 PLC	± 0.15	APPLICATION SPEC	A3 C-03-0002		
4 PLC	± -	PROJECT IDN	RESTRICTED TO		
ANGLES	± 3'	DIMENSIONS: MM		CUSTOMER DRAWING	
SEE NOTE		WEIGHT		SCALE	
SEE NOTE		DIMENSIONS: MM		SHEET 1 of 1	
SEE NOTE		DIMENSIONS: MM		REV A2	

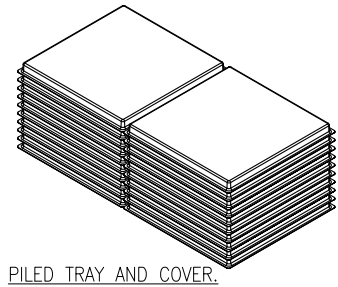
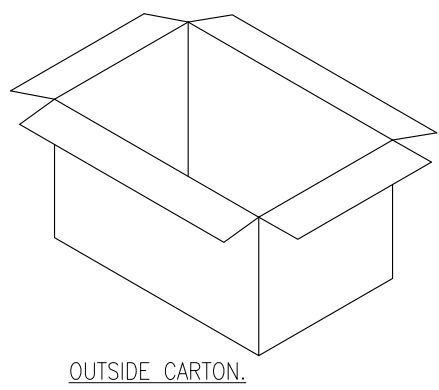
REV.	DESCRIPTION	DATE	DWN	APVD
A	RELEASED	08Jul09	YF	DZ
A1		09JAN10	AX	JY
A2		15JAN10	AX	JY



- DIMENSION:
TARY: 235 * 269 * 12 mm.
PARTITION: 475*280 mm
OUTSIDE CARTON: 485 X 290 X 320 mm
- QUANTITY:
48 TRAYS/CARTON (SEE TABLE)
- WEIGHT :
(SEE TABLE)



PRODUCTS BEFORE ADD THE RELEASE 1PCS
PRODUCTS INSTALLED AFTER THE RELEASE 1PCS



13.5 KG	11.5 KG	3456	72	2*12		03-0002-04
12.3 KG	10.5 KG	4032	84	2*9		03-0002-03
9.7 KG	8.8 KG	6912	144	2*5		03-0002-02
9.1 KG	8.5 KG	8640	180	2*4		03-0002-01
11.4 KG	9.9 KG	4032	84	2*10	HA0711020JB070S4	03-0002-04
8.7 KG	7.2 KG	10368	216	2*3	HA0911006JB0W0S0	03-0002-03
8.0 KG	6.5 KG	13824	288	2*2	HA0411004JB0G0S0	03-0002-02
					HA0911004JB0W0S0	03-0002-01
G.W/(kg)	N.W/(kg)	PCS/CARTON	PCS/TRAY	POLES	OLD PRAT NO.	NEW PRAT NO.



BOM :

PART NAME:	PART NO.	DWG NO.
TYCO LOGO	K=A PK-3016	PK-3016
NO TYCO LOGO	K=A PK-3041	PK-3041
THIS TYCO LOGO	K=A PK-3056	PK-3056
TARY	PVC PK-1005	PK-1005
LID OF TARY	PVC PK-1005-1	PK-1005-1
PARTITION	K3A PK-4009	PK-4009

TOLERANCES UNLESS OTHERWISE SPECIFIED:	DWN ANDY_XIAO 15Jan2010
0 PLC ± -	CHK GAVIN_CHEN 15Jan2010
1 PLC ± 0.3	APVD JACKY YANG 15Jan2010
2 PLC ± 0.2	PRODUCT SPEC JS-GC03139-A1
3 PLC ± 0.15	APPLICATION SPEC
4 PLC ± -	
ANGLES ± 3'	
MATERIAL SEE NOTE	
FINISH SEE NOTE	
PROJECTION	
WEIGHT	
DIMENSIONS: MM	

Zhongxiang Electron Science CO.,LTD		
NAME		
BTX PITCH=3.0 STRAIGHT TYPE		
SIZE A3	DRAWING NO. PK-03-0002	RESTRICTED TO -
CUSTOMER DRAWING	SCALE -	SHEET 1 of 1
		REV A2

8 | 7 | 6 | 5 | 4 | 3 | 2 | 1