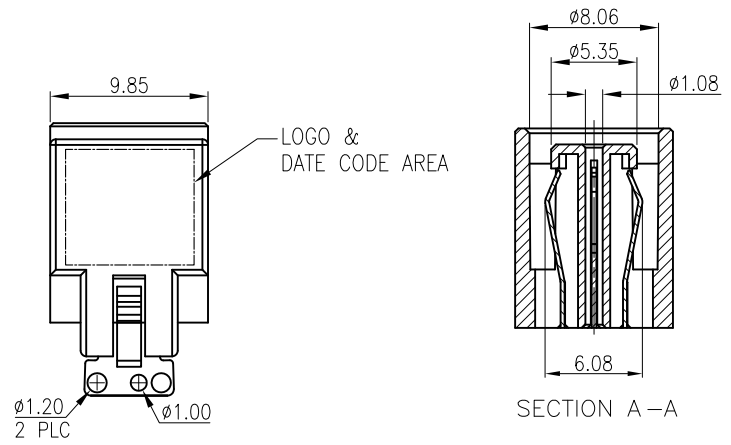
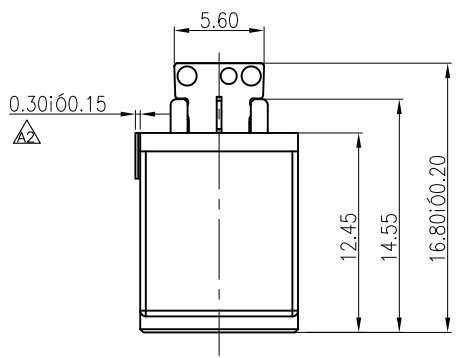
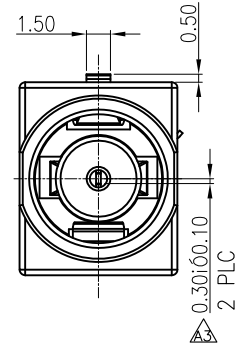
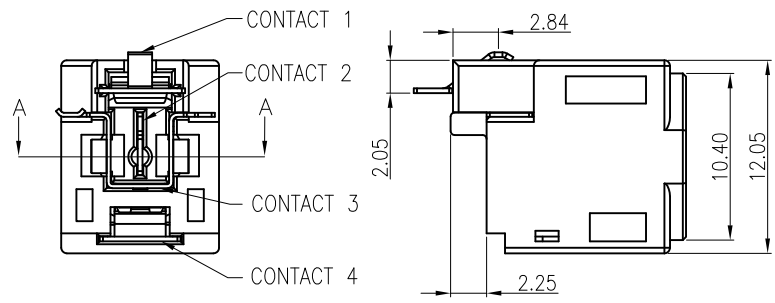


REV.	DESCRIPTION	DATE	DWN	APVD
A1		21Aug09	MO	JY
A2		17Sep09	MD	JY
A3		21Sep09	MD	JY

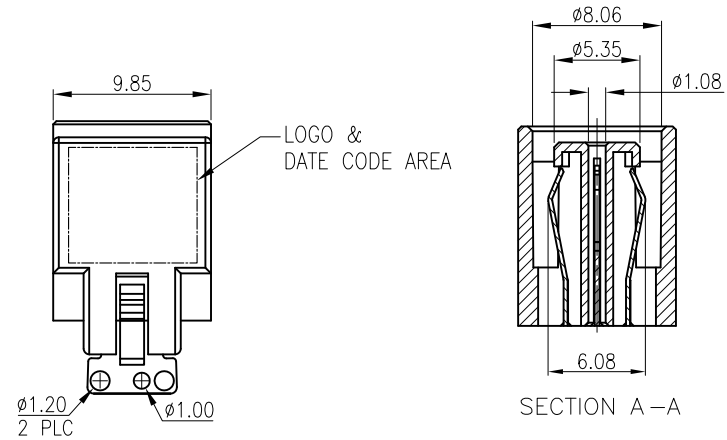


NOTE:
 1. MATERIAL:
 HOUSING: (SEE TABLE) UL94 V-0, COLOR: YELLOW(108C).
 CONTACT 1: PHOSPHOR BRONZE. T=0.30mm.
 CONTACT 2: PHOSPHOR BRONZE. T=0.30mm.
 CONTACT 3: BRASS. T=0.25mm.
 CONTACT 4: PHOSPHOR BRONZE. T=0.30mm.
 2. FINISH:
 CONTACT: 0.0203μm [0.8μ"] GOLD PLATED ON CONTACT AREA,
 2.54μm [100μ"] MIN. BRIGHT-TIN ON SOLDER TAIL,
 WITH ENTIRE CONTACT UNDERPLATED 1.27μm [50μ"] MIN. NICKEL.



COMMON CARTON	HTN	NONE	MAOT13404HY1C0S0	06-0001-04
	PA9T	TYCO LOGO AND DATE CODE	MAOT13404HY1C0S1	06-0001-03
PACKING		HOUSING MATERIAL	NONE	MAO513404HY1C0S1
	LOGO & DATE CODE AREA		MAO513404HY1C0S0	06-0001-01
			OLD PART NO.	NEW PART NO.

TOLERANCES UNLESS OTHERWISE SPECIFIED: 0 PLC ± - 1 PLC ± 0.3 2 PLC ± 0.2 3 PLC ± 0.15 4 PLC ± - ANGLES ± 3'	DWN Michael_Dong 21Sep2009	Zhongxiang Electron Science CO.,LTD		
MATERIAL SEE NOTE	CHK Gavin_Chen 21Sep2009	APVD Jacky_Yang 21Sep2009	NAME	
FINISH SEE NOTE	PRODUCT SPEC JS-GC03118-A1	DC JACK		
PROJECTION 	APPLICATION SPEC DC JACK-01-01	SIZE A3	DRAWING NO C-06-0001	RESTRICTED TO -
	DIMENSIONS: MM	CUSTOMER DRAWING	SCALE -	SHEET 1 of 2 REV A3



NOTE:

1. MATERIAL:

HOUSING: (SEE TABLE) UL94 V-0, COLOR: YELLOW(108C).

CONTACT 1: PHOSPHOR BRONZE. T=0.30mm.

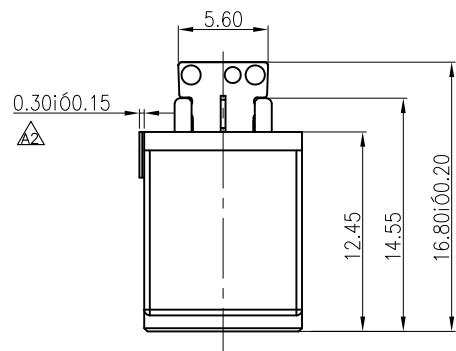
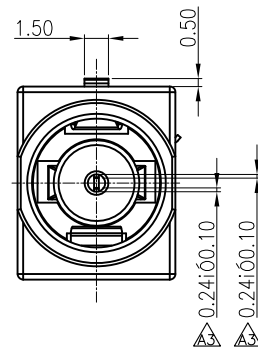
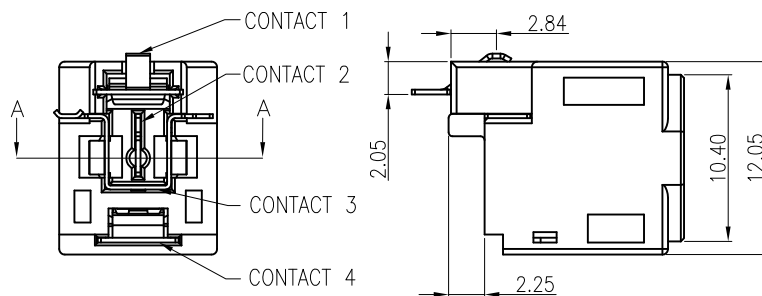
CONTACT 2: PHOSPHOR BRONZE. T=0.30mm.

CONTACT 3: BRASS. T=0.25mm.

CONTACT 4: PHOSPHOR BRONZE. T=0.30mm.

2. FINISH:

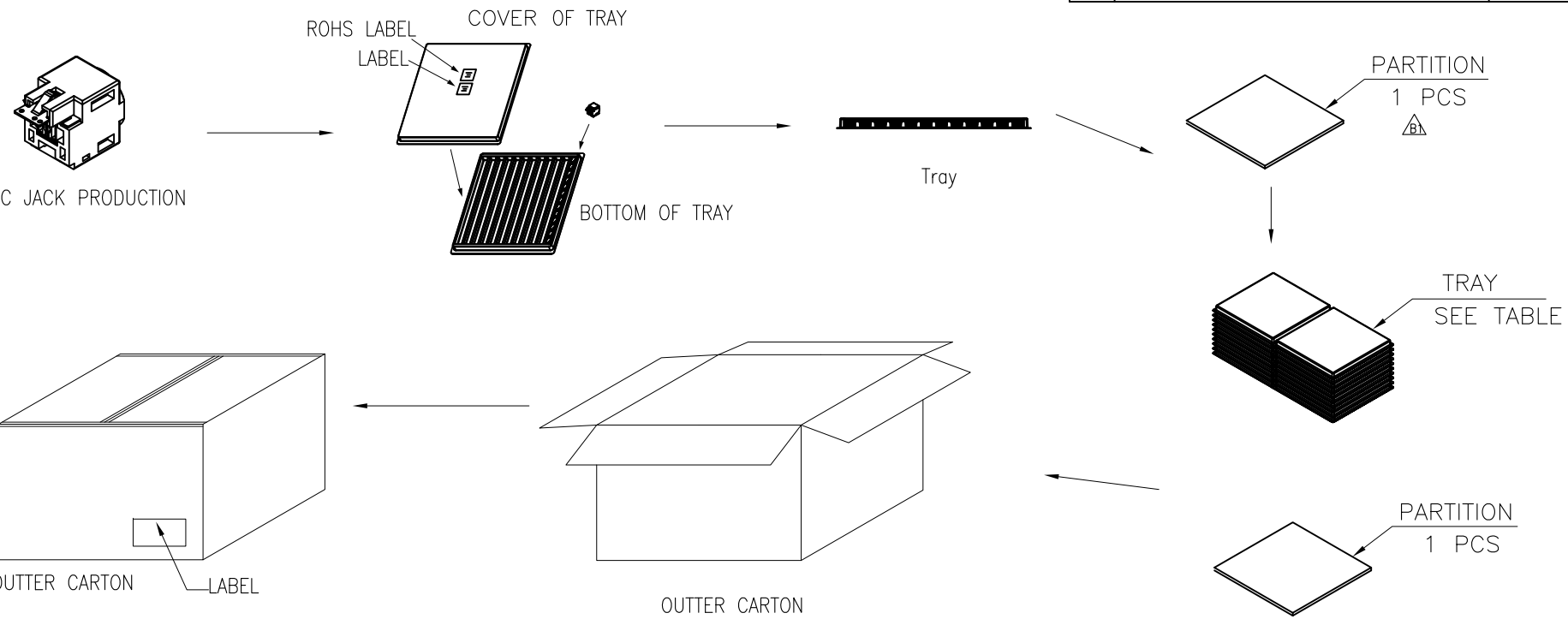
CONTACT: 0.0203 μ m [0.8 μ "] GOLD PLATED ON CONTACT AREA, 2.54 μ m [100 μ "] MIN. BRINGHT-TIN ON SOLDER TAIL, WITH ENTIRE CONTACT UNDERPLATED 1.27 μ m [50 μ "] MIN. NICKEL.



TYCO CARTON	HTN	NONE	MAOT13404HY1C0S0	06-0001-08
	PA9T	TYCO LOGO AND DATE CODE	MAOT13404HY1C0S1	06-0001-07
		NONE	MA0513404HY1C0S1	06-0001-06
		NONE	MA0513404HY1C0S0	06-0001-05
PACKING	HOUSING MATERIAL	LOGO & DATE CODE AREA	OLD PART NO.	NEW PART NO.

TOLERANCES UNLESS OTHERWISE SPECIFIED:		DWN 21Sep2009		Zhongxiang Electron Science CO.,LTD	
0 PLC	± -	CHK 21Sep2009	Gavin_Chen		
1 PLC	± 0.3	APVD 21Sep2009	Jacky_Yang	NAME	
2 PLC	± 0.2	PRODUCT SPEC		DC JACK	
3 PLC	± 0.15	JS-GC03118-A1			
4 PLC	± -	APPLICATION SPEC		SIZE	DRAWING NO
ANGLES	± 3'	DC JACK-01-01		A3	C-06-0001
MATERIAL	SEE NOTE	WEIGHT		RESTRICTED TO	
FINISH	SEE NOTE	DIMENSIONS: MM		CUSTOMER DRAWING	SCALE -
PROJECTION		CUSTOMER DRAWING		SHEET 2 OF 2	REV A3

REV.	DESCRIPTION	DATE	DWN	APVD
A2		20Aug09	MO	JY
A3		18Nov09	MD	JY



NOTE:

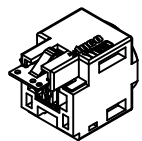
- MATERIAL:
 BOX: FIBREBOARD, CORRUGATED, DOUBLE WALL, (BURSTING STRENGTH: 19Kgf/cm², EDGE CRUSH STRENGTH: 44 LB)
 TRAY: POLYSTYRENES, HEAT-RESISTANT TEMPERATURE: 70°C, TRANSPARENCE COLOR.
- THE EDH FOR DIFFERENT CLIENT,
 PRODUCT LICENSE PACKAGING REQUIRE (SEE TABLE).

TABLE:

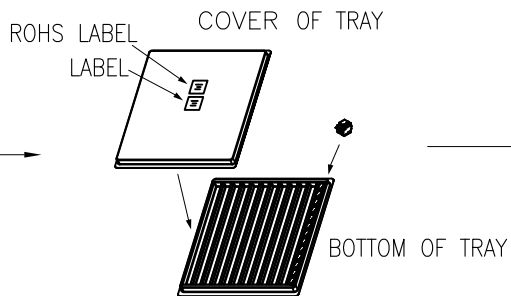
156	50	7800	MAO513404HY1C0S0	06-0001-04	14.04	18.24
			MAO513404HY1C0S1	06-0001-03	14.04	18.24
			MAO513404HY1C0S1	06-0001-02	14.04	18.24
			MAO513404HY1C0S0	06-0001-01	14.04	18.24
PCS/ TRAY	TRAY/ CARTON	PCS/ CARTON	OLD PRAT NO.	NEW PRAT NO.	NET WEIGHT	GROSS WEIGHT

TOLERANCES UNLESS OTHERWISE SPECIFIED:		DWN Michael_Dong 18Nov2009		Zhongxiang Electron Science CO.,LTD	
0 PLC	± -	CHK Gavin_Chen 18Nov2009	NAME		
1 PLC	± 0.3	APVD Jacky_Yang 18Nov2009	PRODUCT SPEC		
2 PLC	± 0.2	APPLICATION SPEC	SIZE		
3 PLC	± 0.15	WEIGHT	DRAWING NO	RESTRICTED TO	
4 PLC	± -	PROJECTION	PK-06-0001	-	
ANGLES ± 3'		DIMENSIONS: MM		CUSTOMER DRAWING	SCALE -
SEE NOTE		DIMENSIONS: MM		SHEET 1 of 2	REV A3

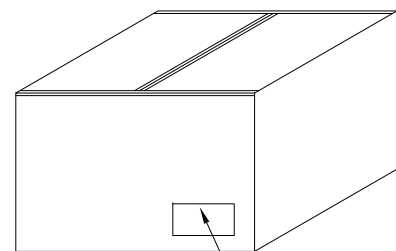
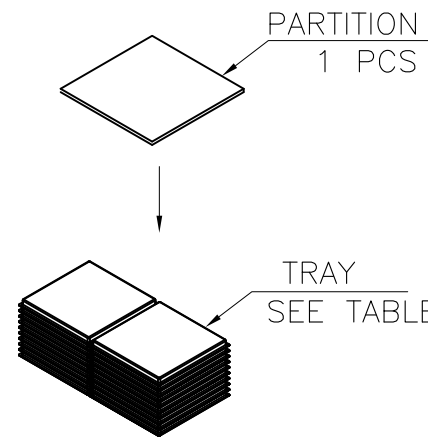
8 | 7 | 6 | 5 | 4 | 3 | 2 | 1



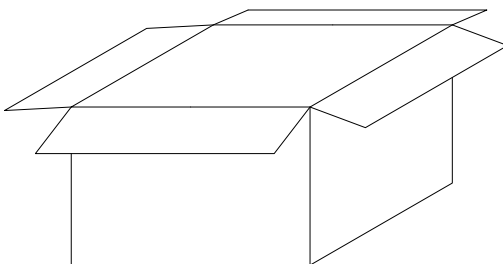
DC JACK PRODUCTION



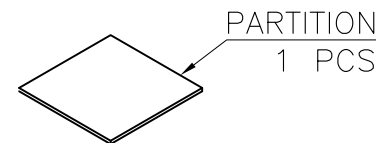
Tray



OUTTER CARTON LABEL



OUTTER CARTON



NOTE:

- MATERIAL:
BOX: FIBREBOARD, CORRUGATED, DOUBLE WALL, (BURSTING STRENGTH: 19Kgf/cm², EDGE CRUSH STRENGTH: 44 LB)
TRAY: POLYSTYRENES, HEAT-RESISTANT TEMPERTURE: 70°C, transparence COLOR.
- THE EDH FOR DIFFERENT CLIENT,
PRODUCT LICENSE PACKAGING REQUIRE (SEE TABLE).

TABLE:

156	50	7800	MAOT13404HY1C0S0	06-0001-04	14.04	18.24
			MAOT13404HY1C0S1	06-0001-03	14.04	18.24
			MAO513404HY1C0S1	06-0001-02	14.04	18.24
			MAO513404HY1C0S0	06-0001-01	14.04	18.24
PCS/ TRAY	TRAY/ CARTON	PCS/ CARTON	OLD PRAT NO.	NEW PRAT NO.	NET WEIGHT	GROSS WEIGHT

8

7

6

5

4

3

2

1

TOLERANCES UNLESS OTHERWISE SPECIFIED:		DWN Michael_Dong 18Nov2009	Zhongxiang Electron Science CO.,LTD		
0 PLC	± -	CHK Gavin_Chen 18Nov2009			
1 PLC	± 0.3	APVD Jacky_Yang 18Nov2009	NAME		
2 PLC	± 0.2	PRODUCT SPEC	PACKING OF DC JACK		
3 PLC	± 0.15	APPLICATION SPEC	SIZE A3	DRAWING NO. PK-06-0001	RESTRICTED TO -
4 PLC	± -	WEIGHT	CUSTOMER DRAWING		
ANGLES	± 3'	DIMENSIONS: MM	SCALE -	SHEET 2 OF 2	REV A3
MATERIAL	SEE NOTE				
FINISH	SEE NOTE				
PROJECTION					