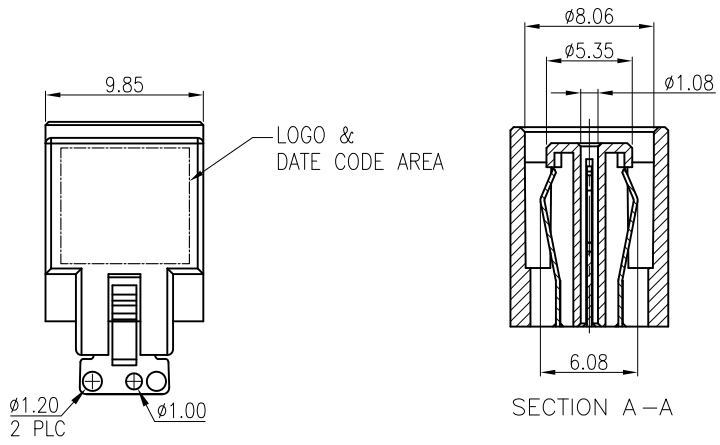
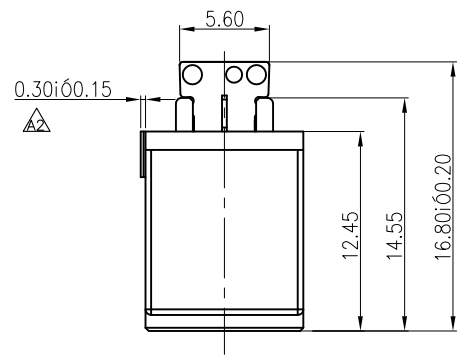
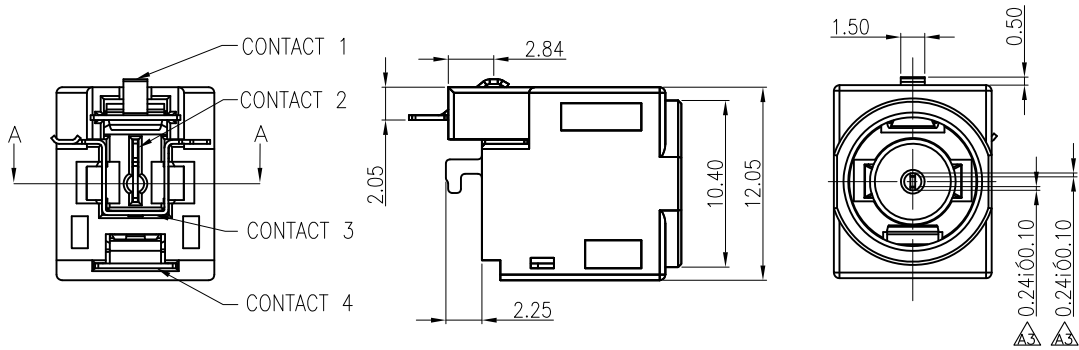


REV.	DESCRIPTION	DATE	DWN	APVD
A1		21Aug09	MO	JY
A2		17Sep09	MD	JY
A3		21Sep09	MD	JY



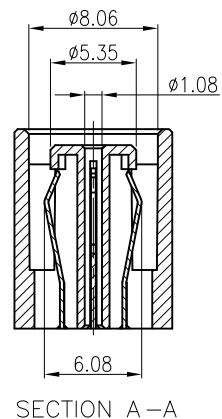
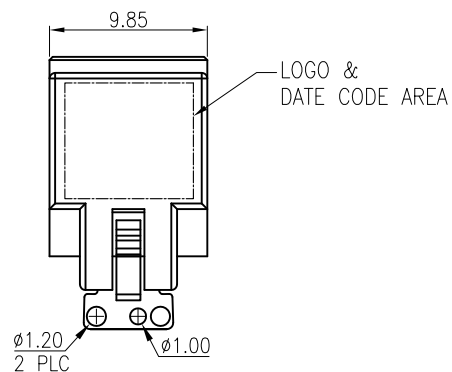
NOTE:
 1. MATERIAL:
 HOUSING: (SEE TABLE) UL94 V-0, COLOR: YELLOW(108C).
 CONTACT 1: PHOSPHOR BRONZE. T=0.30mm.
 CONTACT 2: PHOSPHOR BRONZE. T=0.30mm.
 CONTACT 3: BRASS. T=0.25mm.
 CONTACT 4: PHOSPHOR BRONZE. T=0.30mm.

2. FINISH:
 CONTACT: 0.0203μm [0.8μ"] GOLD PLATED ON CONTACT AREA,
 2.54μm [100μ"] MIN. BRINGHT-TIN ON SOLDER TAIL,
 WITH ENTIRE CONTACT UNDERPLATED 1.27μm [50μ"] MIN. NICKEL.



COMMON CARTON	HTN	NONE	MAOT16804HY1C0S0	06-0002-04
	PA9T	TYCO LOGO AND DATE CODE	MAOT16804HY1C0S1	06-0002-03
		NONE	MAO516804HY1C0S1	06-0002-02
PACKING	HOUSING MATERIAL	LOGO & DATE CODE AREA	MAO516804HY1C0S0	06-0002-01
			OLD PART NO.	NEW PART NO.

TOLERANCES UNLESS OTHERWISE SPECIFIED: 0 PLC ± - 1 PLC ± 0.3 2 PLC ± 0.2 3 PLC ± 0.15 4 PLC ± - ANGLES ± 3°	DWN Michael_Dong 21Sep2009 CHK Gavin_Chen 21Sep2009 APVD Jacky_Yang 21Sep2009	Zhongxiang Electron Science CO.,LTD		
MATERIAL SEE NOTE	PRODUCT SPEC JS-GC03118-A1	DC JACK		
FINISH SEE NOTE	APPLICATION SPEC DC JACK-01-01	SIZE A3	DRAWING NO C-06-0002	RESTRICTED TO -
PROJECTION 	WEIGHT	CUSTOMER DRAWING		
	DIMENSIONS: MM	SCALE -	SHEET 1 of 2	REV A3



NOTE:

1. MATERIAL:

HOUSING: (SEE TABLE) UL94 V-0, COLOR: YELLOW(108C).

CONTACT 1: PHOSPHOR BRONZE. T=0.30mm.

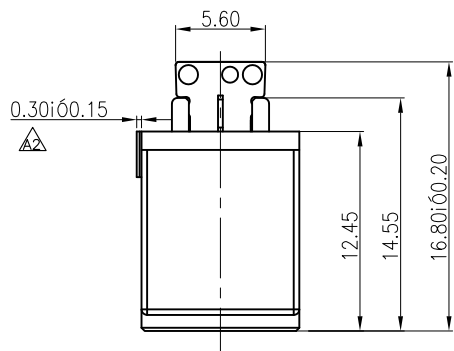
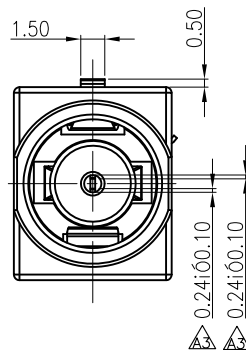
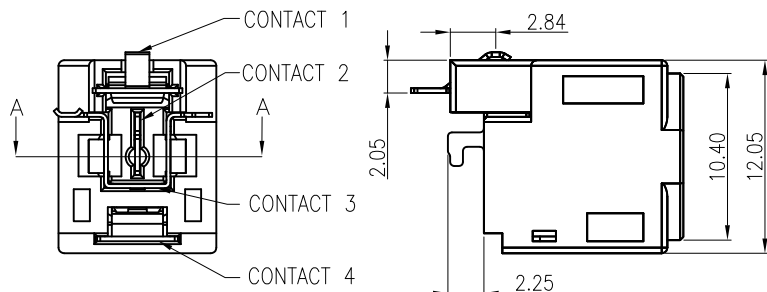
CONTACT 2: PHOSPHOR BRONZE. T=0.30mm.

CONTACT 3: BRASS. T=0.25mm.

CONTACT 4: PHOSPHOR BRONZE. T=0.30mm.

2. FINISH:

CONTACT: 0.0203 μ m [0.8 μ "] GOLD PLATED ON CONTACT AREA,
2.54 μ m [100 μ "] MIN. BRINGHT-TIN ON SOLDER TAIL,
WITH ENTIRE CONTACT UNDERPLATED 1.27 μ m [50 μ "] MIN. NICKEL.



TYCO CARTON	HTN	NONE	MAOT16804HY1C0S0	06-0002-08
	PA9T	TYCO LOGO AND DATE CODE	MAOT16804HY1C0S1	06-0002-07
		NONE	MAO516804HY1C0S1	06-0002-06
PACKING	HOUSING MATERIAL	LOGO & DATE CODE AREA	MAO516804HY1C0S0	06-0002-05
			OLD PART NO.	NEW PART NO.
TOLERANCES UNLESS OTHERWISE SPECIFIED:		DWN Michael_Dong 21Sep2009		
0 PLC ± -		CHK Gavin_Chen 21Sep2009		
1 PLC ± 0.3		APVD Jacky_Yang 21Sep2009		
2 PLC ± 0.2		NAME		
3 PLC ± 0.15		PRODUCT SPEC		
4 PLC ± -		JS-GC03118-A1		
ANGLES ± 3'		APPLICATION SPEC		
MATERIAL SEE NOTE		DC JACK-01-01		
FINISH SEE NOTE		SIZE DRAWING NO		RESTRICTED TO
PROJECTION		A3 C-06-0002		-
		DIMENSIONS: MM		CUSTOMER DRAWING
		SCALE -		SHEET 2 OF 2
				REV A3

Zhongxiang Electron Science CO.,LTD

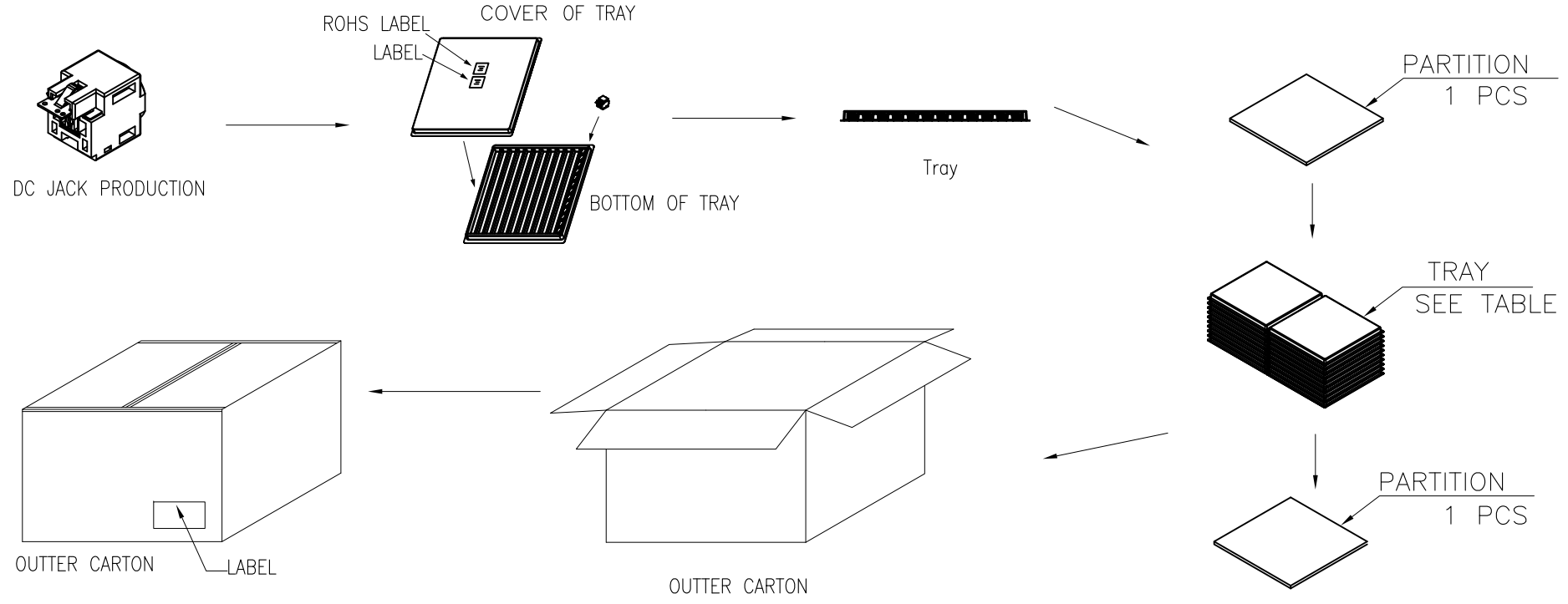
DC JACK

SIZE DRAWING NO RESTRICTED TO

A3 C-06-0002 -

DIMENSIONS: MM CUSTOMER DRAWING SCALE - SHEET 2 OF 2 REV A3

REV.	DESCRIPTION	DATE	DWN	APVD
A1		21Aug09	MO	JK



NOTE:

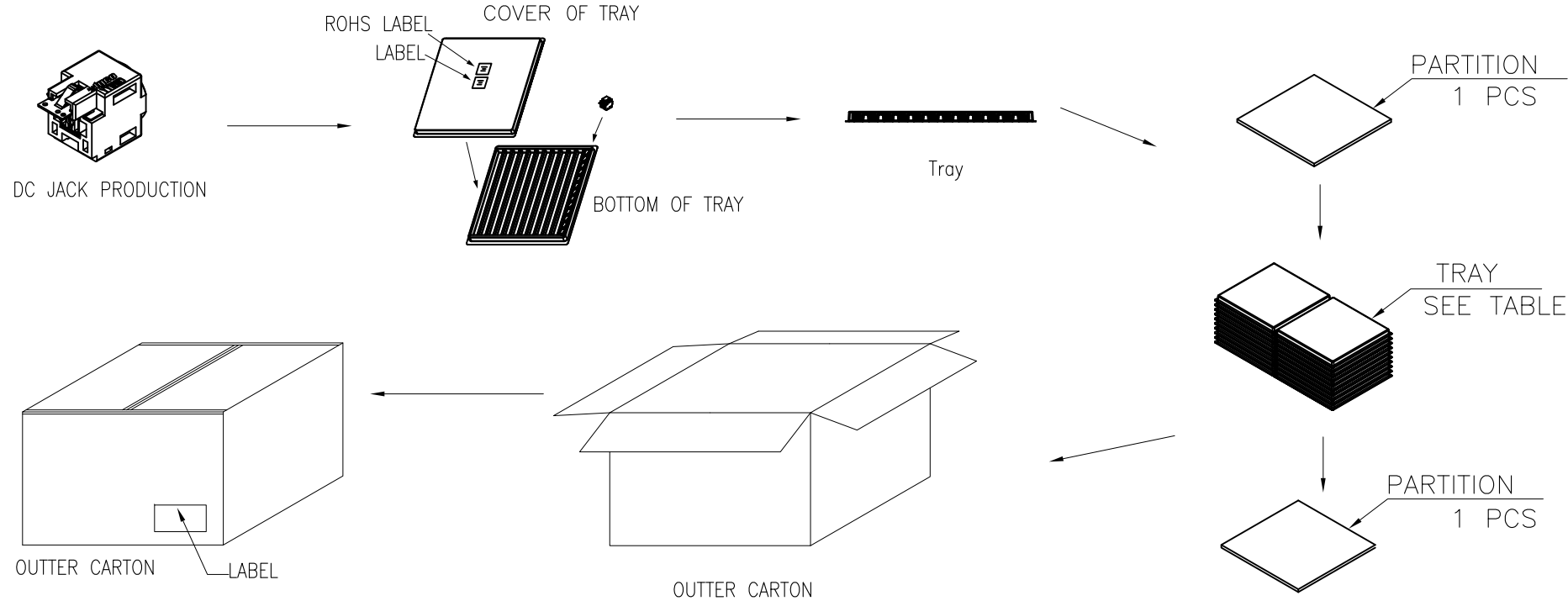
- MATERIAL:
 BOX: FIBREBOARD, CORRUGATED, DOUBLE WALL, (BURSTING STRENGTH: 19Kgf/cm², EDGE CRUSH STRENGTH: 44 LB)
 TRAY: POLYSTYRENES, HEAT-RESISTANT TEMPERATURE: 70°C, TRANSPARENCE COLOR.
- THE EDH FOR DIFFERENT CLIENT,
 PRODUCT LICENSE PACKAGING REQUIRE (SEE TABLE).

TABLE :

240	32	7680	MAOT16804HY1COS0	06-0002-04	14.04	13.82	18.24	17.76
			MAOT16804HY1COS1	06-0002-03	14.04	13.82	18.24	17.76
			MAO516804HY1COS1	06-0002-02	14.04	13.82	18.24	17.76
			MAO516804HY1COS0	06-0002-01	14.04	13.82	18.24	17.76
PCS/ TRAY	TRAY/ CARTON	PCS/ CARTON	OLD PRAT NO.	NEW PRAT NO.	TYCO CARTON	COMMON CARTON	TYCO CARTON	COMMON CARTON
					NET WEIGHT	GROSS WEIGHT		

TOLERANCES UNLESS OTHERWISE SPECIFIED: 0 PLC ± - 1 PLC ± 0.3 2 PLC ± 0.2 3 PLC ± 0.15 4 PLC ± - ANGLES ± 3°	DWN	MOUNZ_PENG	21Aug2009	Zhongxiang Electron Science CO.,LTD	
	CHK	GAVIN_CHEN	21Aug2009		
	APVD	JACKY YANG	21Aug2009	NAME	
	PRODUCT SPEC				PACKING OF DC JACK
MATERIAL	SEE NOTE	APPLICATION SPEC	SIZE	DRAWING NO	RESTRICTED TO
FINISH	SEE NOTE	WEIGHT	A3	PK-06-0002	-
PROJECTION		DIMENSIONS:	MM	CUSTOMER DRAWING	SCALE - SHEET 1 of 2 REV A1

REV.	DESCRIPTION	DATE	DWN	APVD
A1		21Aug09	MO	JK



NOTE:

- MATERIAL:
 BOX: FIBREBOARD, CORRUGATED, DOUBLE WALL, (BURSTING STRENGTH: 19Kgf/cm². EDGE CRUSH STRENGTH: 44 LB)
 TRAY: POLYSTYRENES, HEAT-RESISTANT TEMPERTURE: 70°C, transperence COLOR.
- THE EDH FOR DIFFERENT CLIENT,
 PRODUCT LICENSE PACKAGING REQUIRE (SEE TABLE).

TABLE :

PCS/ TRAY	TRAY/ CARTON	PCS/ CARTON	OLD PRAT NO.	NEW PRAT NO.	TYCO CARTON	COMMON CARTON	TYCO CARTON	COMMON CARTON
156	50	7800	MAOT16804HY1C0S0	06-0002-08	14.04	13.82	18.24	17.76
			MAOT16804HY1C0S1	06-0002-07	14.04	13.82	18.24	17.76
			MAO516804HY1C0S1	06-0002-06	14.04	13.82	18.24	17.76
			MAO516804HY1C0S0	06-0002-05	14.04	13.82	18.24	17.76

TOLERANCES UNLESS OTHERWISE SPECIFIED: 0 PLC ± - 1 PLC ± 0.3 2 PLC ± 0.2 3 PLC ± 0.15 4 PLC ± - ANGLES ± 3°	DWN	21Aug2009	Zhongxiang Electron Science CO.,LTD								
	CHK	21Aug2009				NAME	PACKING OF DC JACK				
	SEE NOTE	MOUNZ PENG	GAVIN CHEN	SIZE	DRAWING NO	RESTRICTED TO					
	SEE NOTE	APVD	21Aug2009	JACKY YANG	A3	PK-06-0002	-				
FINISH	APPLICATION SPEC	WEIGHT	DIMENSIONS:	MM	CUSTOMER DRAWING	SCALE	-	SHEET	2 of 2	REV	A1