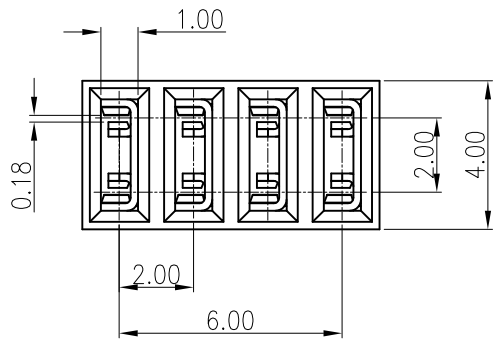
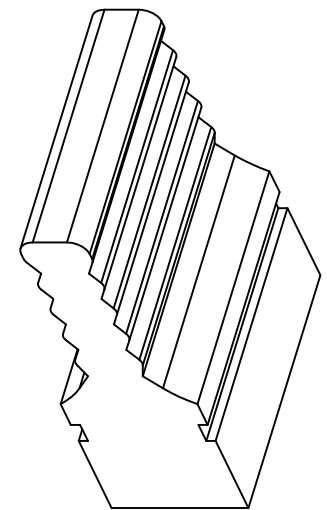
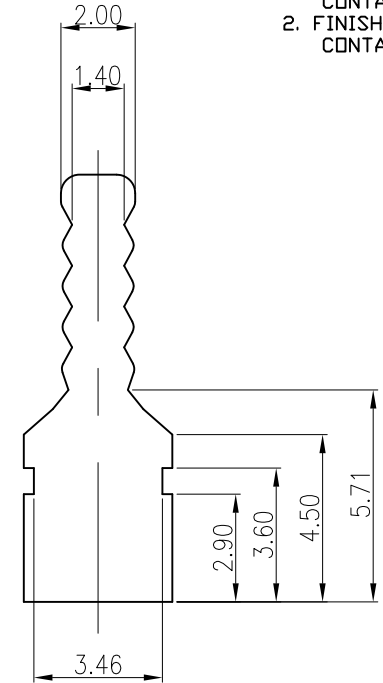
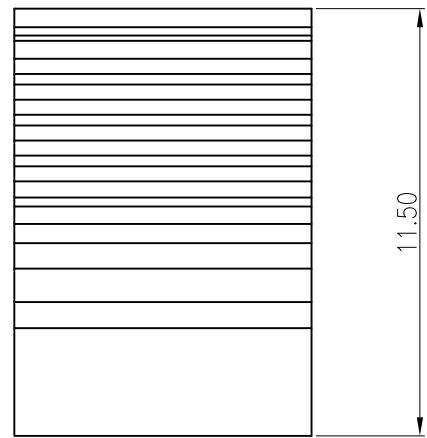
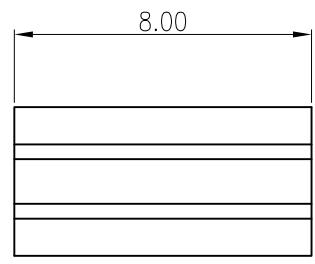


REV.	DESCRIPTION	DATE	DWN	APVD
A	RELEASED	20Mar09	YF	DV



NOTE:

- MATERIAL:
HOUSING: LCP WITH 30% GF, UL 94V-0, BLACK COLOR.
CONTACTS: PHOSPHOR BRONZE.
- FINISH:
CONTACTS: GOLD FLASH OVER 50μ" MIN. NICKEL PLATED.

07-0003-01
PART NUMBER

TOLERANCES UNLESS OTHERWISE SPECIFIED: 0 PLC ± - 1 PLC ± 0.3 2 PLC ± 0.25 3 PLC ± 0.15 4 PLC ± - ANGLES ± 3°	DWN	YONGFENG	20Mar2009	Zhongxiang Electron Science CO.,LTD JUMPER PITCH=2.0mm WITH HANDLE 4 IN 1						
	CHK	GAVIN	20Mar2009							
	APVD	DAVID	20Mar2009							
	PRODUCT SPEC	JUMPER_01(A)								
FINISH	SEE NOTE	APPLICATION SPEC	JUMPER_01-1(A)	SIZE	DRAWING NO	RESTRICTED TO				
PROJECTION	SEE NOTE	WEIGHT		A3	C-07-0003	-				
		DIMENSIONS:	MM	CUSTOMER DRAWING	SCALE	-	SHEET	1 of 1	REV	A