

NOTE:

1. MATERIAL:

HOUSING: PA66 UL 94V-2, COLOR: NATURAL.  
CONTACTS: BRASS 1.14MM SQUARE WIRE PIN

2. FINISH:

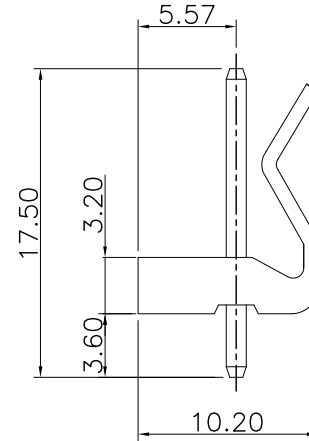
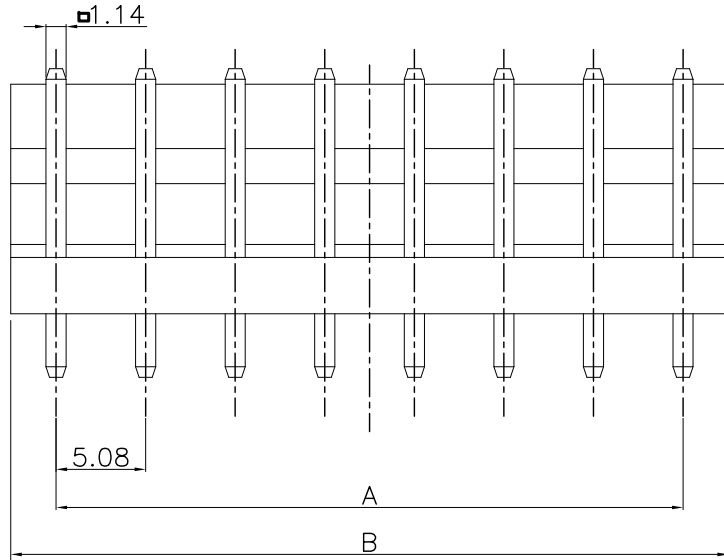
CONTACTS: TIN OR GOLD PLATED

3.ELECTRICAL:

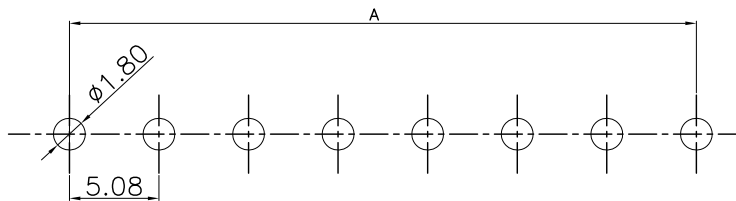
CONTACT RESISTANCE: 20 mΩ MAX.  
INSULATION RESISTANCE:1000M MIN  
DIELECTRIC WITHSTANDING VOLTAGE: 1000V AC/1MIN  
CURRENT RATING: 5A  
VOLAGE RATING: 250V AC

4.ENVIRONMENTAL:

OPERATING TEMPERATURE: -25° TO +85°



POLES	DIMENSION	
	A	B
2	5.08	10.22
3	10.16	15.30
4	15.24	20.38
5	20.32	25.46
6	25.40	30.54
7	30.48	35.62
8	35.56	40.70
9	40.64	45.78
10	45.72	50.86
12	55.88	60.96



RECOMMEND P.C.B LAYOUT  
PCB TOLERANCE:±0.05

TOLERANCES UNLESS OTHERWISE SPECIFIED: 0 PLC ± - 1 PLC ± 0.3 2 PLC ± 0.2 3 PLC ± 0.15 4 PLC ± - ± 3°	DWN ERIC_WU 23OCT2009	<b>HAOGUO XING YE SHARE CO.,LTD.</b>				
	CHK GAVIN_CHEN 23OCT2009					
	MATERIAL SEE NOTE	APVD JACKY_YANG 23OCT2009	NAME 5.08 WIRE TO BOARD HEADER DIP 180° TYPE			
	FINISH SEE NOTE	APPLICATION SPEC -	SIZE A3	DRAWING NO WAFER508-1XXS-MOLEX	RESTRICTED TO -	
PROJECTION 	WEIGHT -	DIMENSIONS: MM	CUSTOMER DRAWING	SCALE -	SHEET 1 OF 1	REV A