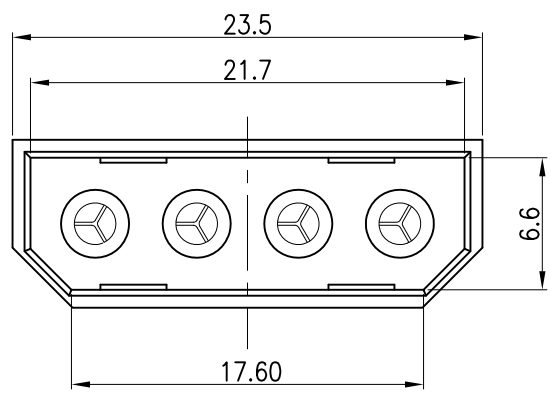
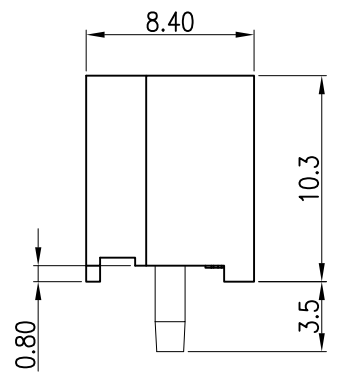
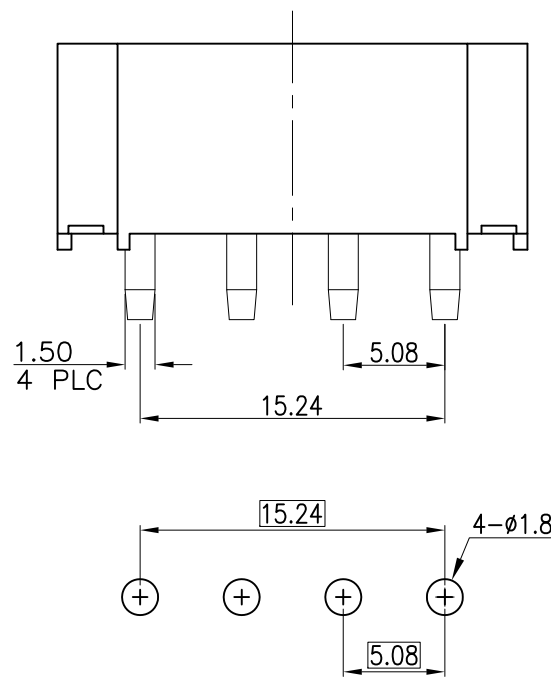


REV.	DESCRIPTION	DATE	DWN	APVD
A	RELEASED	19June09	MD	DZ
B	⚠ ECN NO.: ECN0907123	23July09	MD	DZ



NOTES:  
 1. MATERIALS  
 HOUSING: (SEE TABLE), UL94V-0, COLOR: (SEE TABLE).  
 CONTACTS: BRASS  
 2. FINISH:  
 CONTACTS: 2.54μm [100μ"] MIN. BRIGHT-TIN OVER  
 1.27μm [50μ"] MIN. NICKEL PLATED.

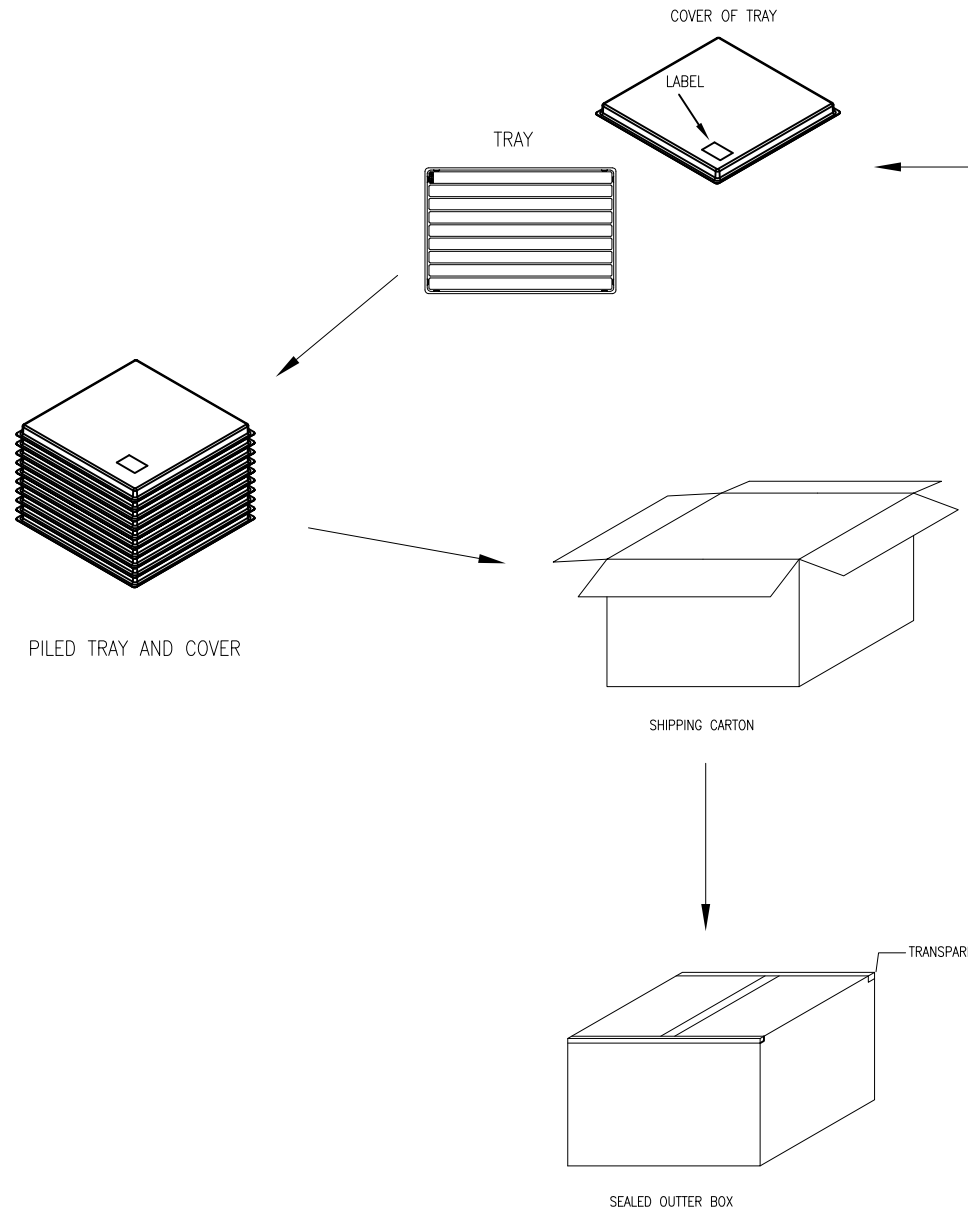


NO TYCO	BAG	NY6T	NATURAL	DA0212504ME0T5S0	12-0001-12
		PA9T		DA0512504ME0T5S0	12-0001-11
		NY66	TRANSPARENCE	DA0312504MC0T5S0	12-0001-10
			BLACK	DA0312504MB0T5S0	12-0001-09
		NY6T	NATURAL	DA0212504ME0T5S0	12-0001-08
		PA9T		DA0512504ME0T5S0	12-0001-07
		NY66	TRANSPARENCE	DA0312504MC0T5S0	12-0001-06
			BLACK	DA0312504MB0T5S0	12-0001-05
		NY6T	NATURAL	DA0212504ME0T5S0	12-0001-04
		PA9T		DA0512504ME0T5S0	12-0001-03
		NY66	TRANSPARENCE	DA0312504MC0T5S0	12-0001-02
			BLACK	DA0312504MB0T5S0	12-0001-01
CARTON	PACKING	HOUSING MATERIAL	HOUSING COLOR	OLD PRAT NO.	NEW PRAT NO.

TOLERANCES UNLESS OTHERWISE SPECIFIED: 0 PLC ± - 1 PLC ± 0.3 2 PLC ± 0.2 3 PLC ± 0.15 4 PLC ± - ANGLES ± 3°	DWN MICHAEL_DONG 23July2009	<b>Zhongxiang Electron Science CO.,LTD</b>
SEE NOTE	CHK GAVIN_CHEN 23July2009	
FINISH SEE NOTE	APVD DAVID_ZHONG 23July2009	
PROJECTION SEE NOTE	NAME	
MATERIAL SEE NOTE	PRODUCT SPEC JS-GC03138-A1	POWER CONNECTOR, 4 POSITION PLUG, VERTICAL, DIP.
APPLICATION SPEC 4 CIRCUITS-01-01	WEIGHT 1.378 g	SIZE A3
DIMENSIONS: MM	CUSTOMER DRAWING	DRAWING NO C-12-0001
	SCALE -	RESTRICTED TO -
	SHEET 1 of 1	REV B

RECOMMEND P.C.B LAYOUT  
 PCB TOLERANCE:±0.05

REV.	DESCRIPTION	DATE	DWN	APVD
A	RELEASED	19June09	MD	DZ
B	△ ECN NO.: ECN0907123	23July09	MD	DZ



NOTE:

- MATERIAL:  
 BOX: FIBREBOARD, CORRUGATED, DOUBLE WALL, (BURSTING STRENGTH: 19Kgf/cm<sup>2</sup>, EDGE CRUSH STRENGTH: 44 LB)  
 TRAY: POLYSTYRENES, HEAT-RESISTANT TEMPERATURE: 100°C

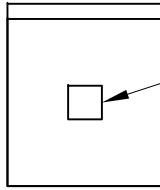
NO TYCO CARTON				DA0212504ME0T5S0	12-0001-08	6.89	7.58
				DA0512504ME0T5S0	12-0001-07		
				DA0312504MC0T5S0	12-0001-06		
				DA0312504MB0T5S0	12-0001-05		
				DA0212504ME0T5S0	12-0001-04		
				DA0512504ME0T5S0	12-0001-03		
				DA0312504MC0T5S0	12-0001-02		
TYCO CARTON	432	10	4320	DA0312504MB0T5S0	12-0001-01		
TYCO CARTON	PCS/ TRAY	TRAY/ OUTER CARTON	PCS/ OUTER CARTON	OLD PRAT NO.	NEW PRAT NO.	NET WEIGHT	GROSS WEIGHT

TOLERANCES UNLESS OTHERWISE SPECIFIED:		DWN MICHAEL DONG 23July2009		<b>Zhongxiang Electron Science CO.,LTD</b>			
0 PLC	± -	CHK	GAVIN CHEN 23July2009				
1 PLC	± 0.3	APVD	DAVID ZHONG 23July2009	NAME <b>PACKING OF POWER CONNECTOR</b>			
2 PLC	± 0.2	PRODUCT SPEC	JS-GC03138-A1				
3 PLC	± 0.15	APPLICATION SPEC	4 CIRCUITS-01-01	SIZE	DRAWING NO	RESTRICTED TO	
4 PLC	± -	FINISH	SEE NOTE	A3	PK-12-0001	-	
ANGLES	± 3'	PROJECTION	1.595 g	CUSTOMER DRAWING		SCALE	SHEET 1 of 2
		DIMENSIONS: MM				REV	B

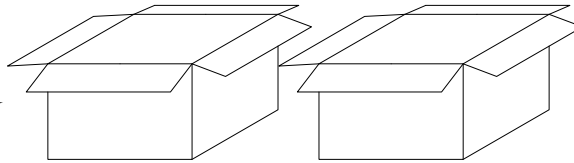
Production



PE BAG



LABEL



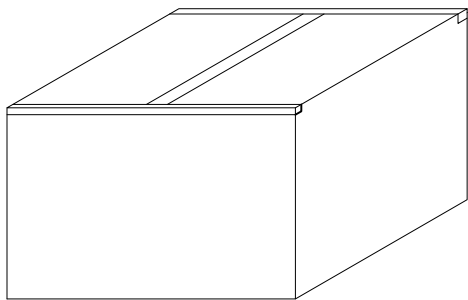
Inner Carton

NOTE:

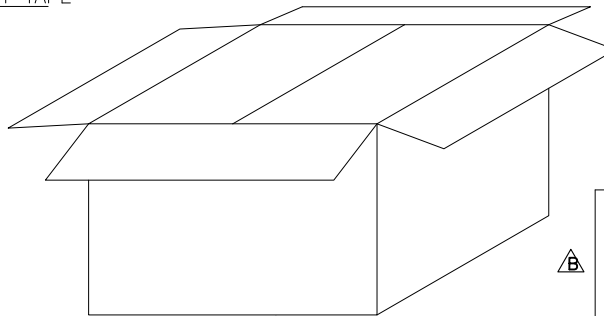
1. MATERIAL:

BOX: FIBREBOARD, CORRUGATED, DOUBLE WALL, (BURSTING STRENGTH: 19Kgf/cm<sup>2</sup>, EDGE CRUSH STRENGTH: 44 LB)  
 BAG: POLYETHYLENE, HEAT-RESISTANT TEMPERATURE: 100°C.

TRANSPARENT TAPE



SEALED OUTER BOX



Outer Carton

50	50	5000	DA0212504ME0T5S0	12-0001-12	6.89	8.10
			DA0512504ME0T5S0	12-0001-11		
			DA0312504MC0T5S0	12-0001-10		
			DA0312504MB0T5S0	12-0001-09		
PCS/ BAG	BAG/ INNER CARTON	PCS/ OUTTER CARTON	OLD PRAT NO.	NEW PRAT NO.	NET WEIGHT	GROSS WEIGHT

TOLERANCES UNLESS OTHERWISE SPECIFIED:		DWN 19June2009		<b>Zhongxiang Electron Science CO.,LTD</b>		
0 PLC ± -	CHK 19June2009	MICHAEL DONG				
1 PLC ± 0.3	CHK 19June2009	GAVIN CHEN		PACKING OF POWER CONNECTOR		
2 PLC ± 0.2	APVD 19June2009	DAVID ZHONG				
3 PLC ± 0.15	PRODUCT SPEC	JS-GC03138-A1		SIZE DRAWING NO A3 PK-12-0001		
4 PLC ± -	APPLICATION SPEC	4 CIRCUITS-01-01				
ANGLES ± 3'	FINISH SEE NOTE	WEIGHT 1.378 g		RESTRICTED TO -		
MATERIAL SEE NOTE	PROJECTION	DIMENSIONS: MM				
		CUSTOMER DRAWING		SCALE -	SHEET 2 OF 2	REV B

8

7

6

5

4

3

2

1