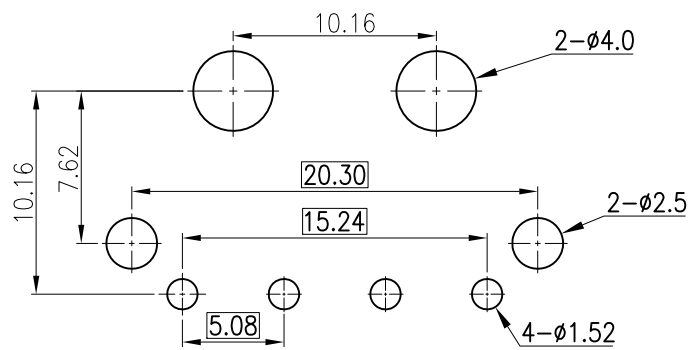
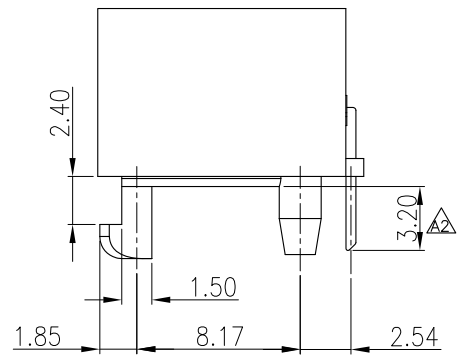
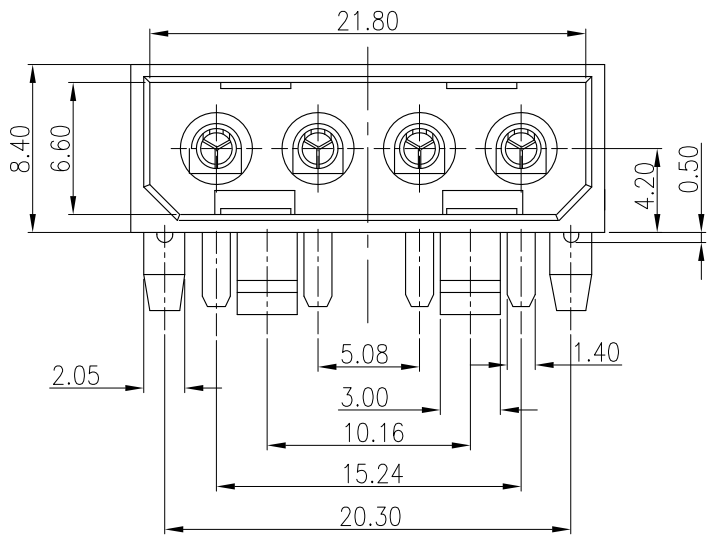
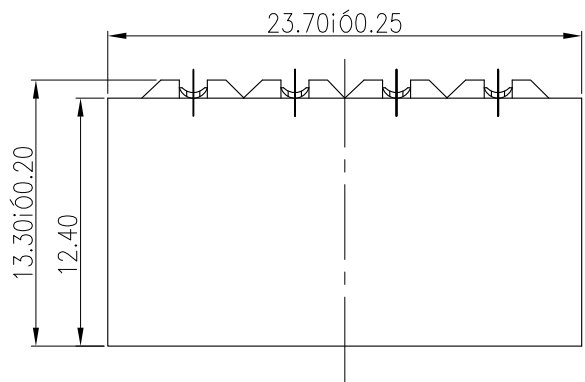


REV.	DESCRIPTION	DATE	DWN	APVD
A0	RELEASED	04June09	MD	DZ
A1	△△	07Aug09	MD	JY
A2	△△	12Aug09	MD	JY

NOTES:
 1. MATERIALS
 HOUSING: (SEE TABLE), UL94V-0, COLOR: (SEE TABLE).
 CONTACTS: BRASS
 2.FINISH:
 CONTACTS: 2.54μm [100μ"] MIN. BRIGHT-TIN OVER
 1.27μm [50μ"] MIN. NICKEL PLATED.

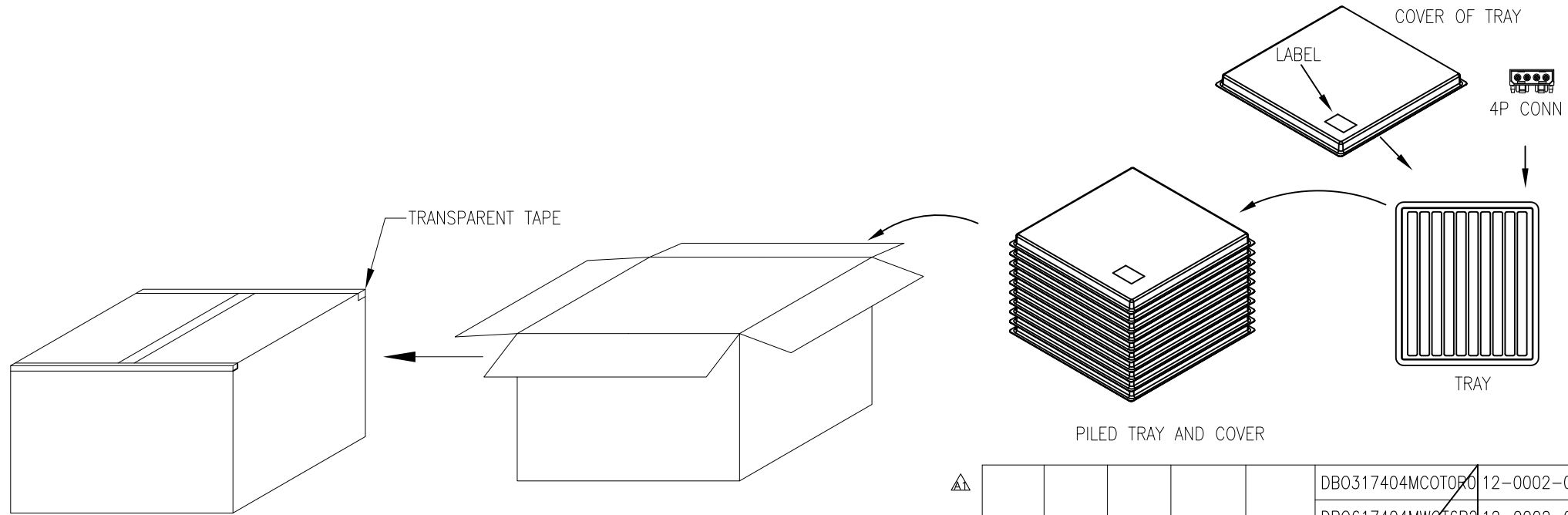


RECOMMEND P.C.B LAYOUT
 PCB TOLERANCE:±0.05

NY66	TRANSPARENCY	DBO317404MC0T0R0	12-0002-06
NY66+30%G.F	WHITE	DBO617404MW0T6R2	12-0002-05
NY6T	BLACK		12-0002-04
PA9T	NATURAL	DBO517404ME0T5R2	12-0002-03
NY46		DBO417404ME0T5R2	12-0002-02
NY6T		DBO217404ME0T5R2	12-0002-01
HOUSING MATERIAL	HOUSING COLOR	OLD PRAT NO.	NEW PRAT NO.

TOLERANCES UNLESS OTHERWISE SPECIFIED: 0 PLC ± - 1 PLC ± 0.3 2 PLC ± 0.2 3 PLC ± 0.15 4 PLC ± - ANGLES ± 3°	DWN 12Aug2009 MICHAEL DONG CHK 12Aug2009 GAVID CHEN APVD 12Aug2009 JACKY YANG	Zhongxiang Electron Science CO.,LTD	
MATERIAL SEE NOTE	PRODUCT SPEC JS-GC03138-A1	NAME POWER CONNECTOR, 4 POSITION PLUG, RIGHT ANGLE, DIP.	
FINISH SEE NOTE	APPLICATION SPEC 4 CIRCUITS-01-01	SIZE A3	DRAWING NO C-12-0002
PROJECTION	WEIGHT 1.78g	RESTRICTED TO -	
DIMENSIONS: MM		CUSTOMER DRAWING	SCALE - SHEET 1 of 1 REV A2

REV.	DESCRIPTION	DATE	DWN	APVD
A	RELEASED	04June09	MD	DZ
A1		14Aug09	MD	JY
A2		25Aug09	MD	JY



SEALED OUTER BOX

SHIPPING CARTON

PILED TRAY AND COVER

TRAY

4P CONN

NOTE:
 1. MATERIAL:
 BOX: FIBREBOARD, CORRUGATED, DOUBLE WALL, (BURSTING STRENGTH: 19Kgf/cm², EDGE CRUSH STRENGTH: 44 LB)
 TRAY: POLYSTYRENES, HEAT-RESISTANT TEMPERTURE: 100±XC

	110	25	2750	4.62	5.65	DB0317404MC0T0R0	12-0002-06
						DB0617404MW0T6R2	12-0002-05
						DB0517404ME0T5R2	12-0002-04
						DB0417404ME0T5R2	12-0002-03
						DB0217404ME0T5R2	12-0002-02
						DB0217404ME0T5R2	12-0002-01
	PCS/ TRAY	TRAY/ OUTER CARTON	PCS/ OUTER CARTON	NET WEIGHT	GROSS WEIGHT	OLD PRAT NO.	NEW PRAT NO.

TOLERANCES UNLESS OTHERWISE SPECIFIED:		DWN MICHAEL DONG 25Aug2009		Zhongxiang Electron Science CO.,LTD	
0 PLC ± -	CHK 25Aug2009	GAVIN CHEN			
1 PLC ± 0.3	APVD 25Aug2009	JACKY YANG		PACKING OF POWER CONNECTOR	
2 PLC ± 0.2	PRODUCT SPEC				
3 PLC ± 0.15		APPLICATION SPEC		SIZE A3	DRAWING NO PK-12-0002
4 PLC ± -		WEIGHT		RESTRICTED TO -	
ANGLES ± 3'		DIMENSIONS: MM		CUSTOMER DRAWING	SCALE -
MATERIAL SEE NOTE				SHEET 1 of 1	REV A2
FINISH SEE NOTE					
PROJECTION					

8 7 6 5 4 3 2 1