

REV.	DESCRIPTION	DATE	DWN	APVD
A	RELEASED	19June09	MD	DZ
A1		07Aug09	MD	JY
A2		12Aug09	MD	JY
A3		28Aug09	MD	JY

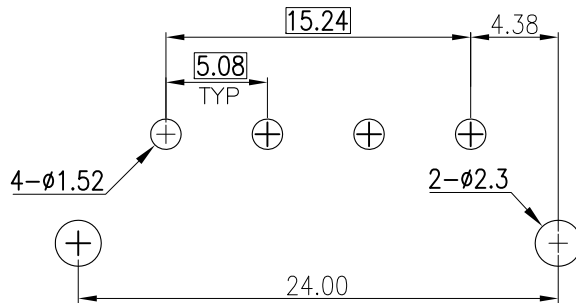
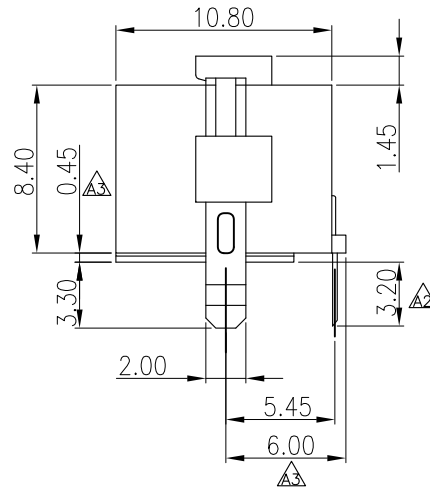
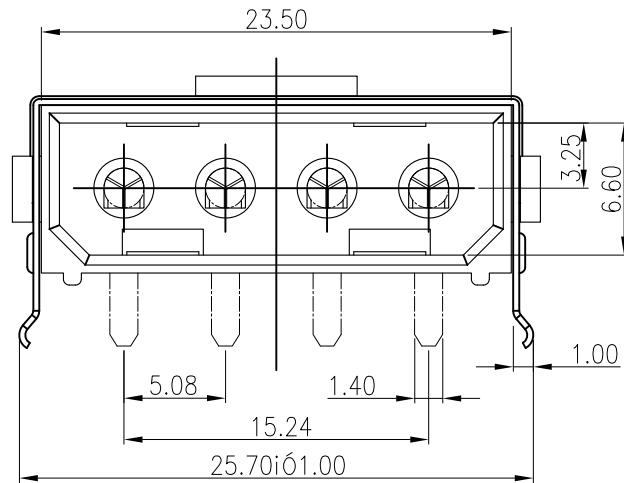
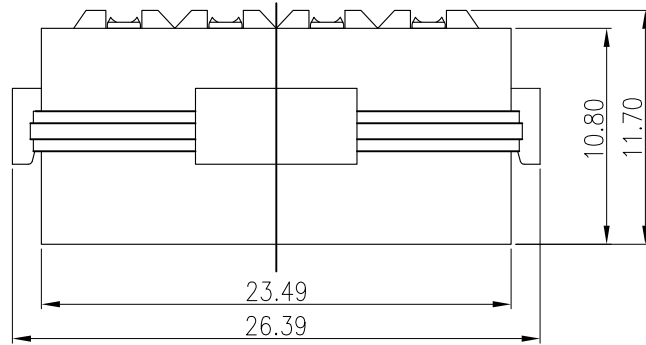
NOTES:

1. MATERIALS

HOUSING: (SEE TABLE), UL94V-0, COLOR: (SEE TABLE).
 CONTACTS: BRASS.
 SHELL: BRASS.

2. FINISH:

CONTACTS: 2.54μm [100μ"] MIN. BRIGHT-TIN OVER
 1.27μm [50μ"] MIN. NICKEL PLATED.
 SHELL: 2.54μm [100μ"] MIN. BRIGHT-TIN ON SOLDER TAILS,
 1.27μm [50μ"] MIN. NICKEL OVER ALL.

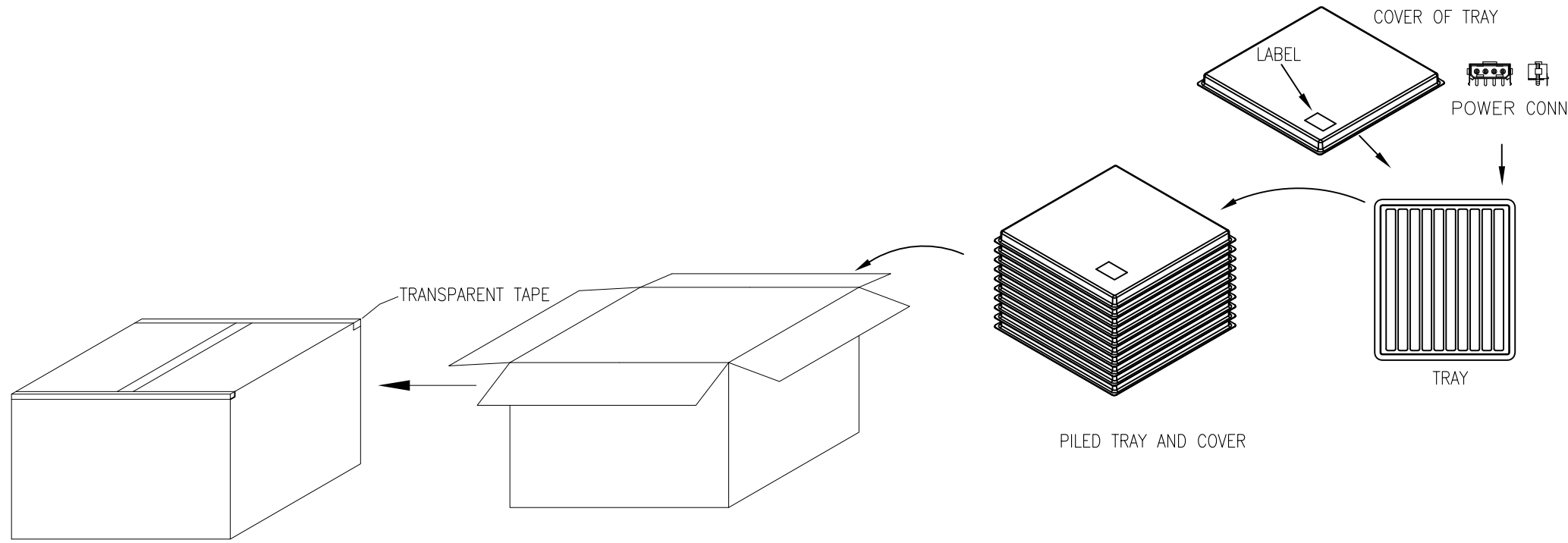


RECOMMEND P.C.B LAYOUT
 PCB TOLERANCE:±0.05

NY66	TRANSPARENCE	DA2317404MCOTGR7	12-0003-04
	BLACK	DA2317404MBOTGR7	12-0003-03
PA6T	NATURAL	DA2217404MBOT5R7	12-0003-02
		DA2217404MEOTGR7	12-0003-01
HOUSING MATERIAL	HOUSING COLOR	OLD PRAT NO.	NEW PRAT NO.

TOLERANCES UNLESS OTHERWISE SPECIFIED:		DWN 28Aug2009		Zhongxiang Electron Science CO.,LTD	
0 PLC ± -		MICHAEL DONG			
1 PLC ± 0.3		CHK 28Aug2009			
2 PLC ± 0.2		GAVIN CHEN			
3 PLC ± 0.15		APVD 28Aug2009		NAME	
4 PLC ± -		JACKY YANG		POWER CONNECTOR, 4 POSITION	
ANGLES ± 3°		PRODUCT SPEC		PLUG,RIGHT ANGLE, DIP.	
MATERIAL		JS-GC03138-A1		SIZE	
SEE NOTE		APPLICATION SPEC		DRAWING NO	
FINISH		4 CIRCUITS-01-01		RESTRICTED TO	
SEE NOTE		WEIGHT		A3 C-12-0003	
PROJECTION		1.845 g		SCALE	
		DIMENSIONS: MM		CUSTOMER DRAWING	
		SCALE -		SHEET 1 of 1	
				REV A3	

REV.	DESCRIPTION	DATE	DWN	APVD
A	RELEASED	04June09	MD	DZ



SEALED OUTER BOX

SHIPPING CARTON

PILED TRAY AND COVER

NOTE:

- MATERIAL:
 BOX: FIBREBOARD, CORRUGATED, DOUBLE WALL, (BURSTING STRENGTH: 19Kgf/cm², EDGE CRUSH STRENGTH: 44 LB)
 TRAY: POLYSTYRENES, HEAT-RESISTANT TEMPERATURE: 100°C

100	25	2500	DA2317404MCOTGR7	12-0003-04	4.62	5.65
			DA2317404MBOTGR7	12-0003-03		
			DA2217404MBOT5R7	12-0003-02		
			DA2217404MEOTGR7	12-0003-01		
PCS/TRAY	TRAY/OUTTER CARTON	PCS/OUTTER CARTON	OLD PRAT NO.	NEW PRAT NO.	NET WEIGHT	GROSS WEIGHT

TOLERANCES UNLESS OTHERWISE SPECIFIED: 0 PLC ± - 1 PLC ± 0.3 2 PLC ± 0.2 3 PLC ± 0.15 4 PLC ± - ANGLES ± 3'		DWN MICHAEL DONG 04June2009	Zhongxiang Electron Science CO.,LTD		
SEE NOTE		CHK GAVIN CHEN 04June2009			
FINISH SEE NOTE		APVD DAVID ZHONG 04June2009	NAME		
PROJECTIDN		PRODUCT SPEC		PACKING OF POWER CONNECTOR	
DIMENSIONS: MM		SIZE A3	DRAWING NO PK-12-0003	RESTRICTED TO -	
CUSTOMER DRAWING		SCALE -	SHEET 1 of 1	REV A	