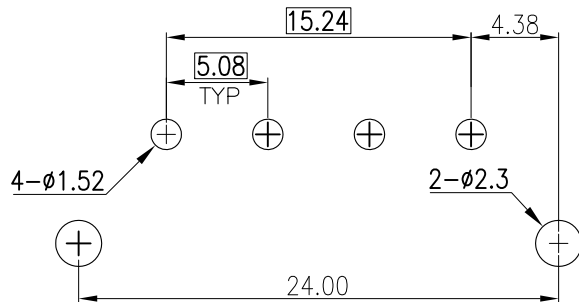
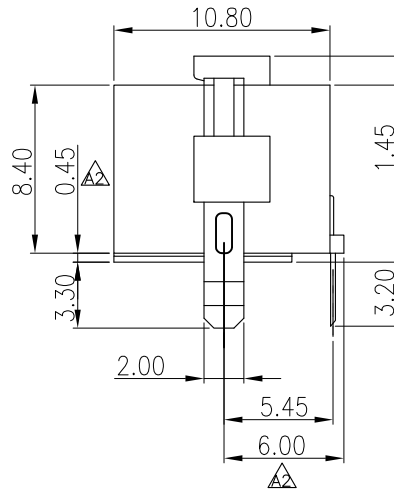
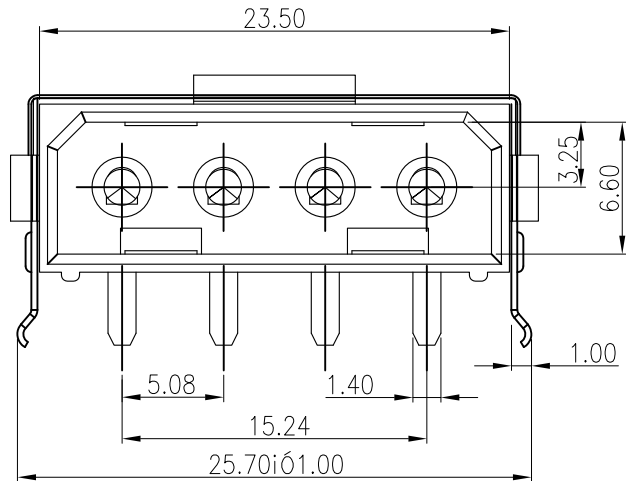
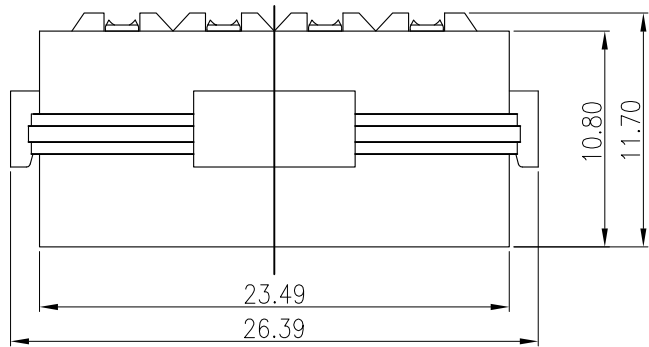


REV.	DESCRIPTION	DATE	DWN	APVD
A	RELEASED	16MAY09	MD	DZ
A1		07Aug09	MD	JY
A2		28Aug09	MD	JY



RECOMMEND P.C.B LAYOUT
PCB TOLERANCE:±0.05

NOTES:

1. MATERIALS

HOUSING: (SEE TABLE), UL94V-0, COLOR: (SEE TABLE).
CONTACTS: BRASS.
SHELL: BRASS.

2. FINISH:

CONTACTS: 2.54μm [100μ"] MIN. BRIGHT-TIN OVER
1.27μm [50μ"] MIN. NICKEL PLATED.
SHELL: 2.54μm [100μ"] MIN. BRIGHT-TIN ON SOLDER TAILS,
1.27μm [50μ"] MIN. NICKEL OVER ALL.

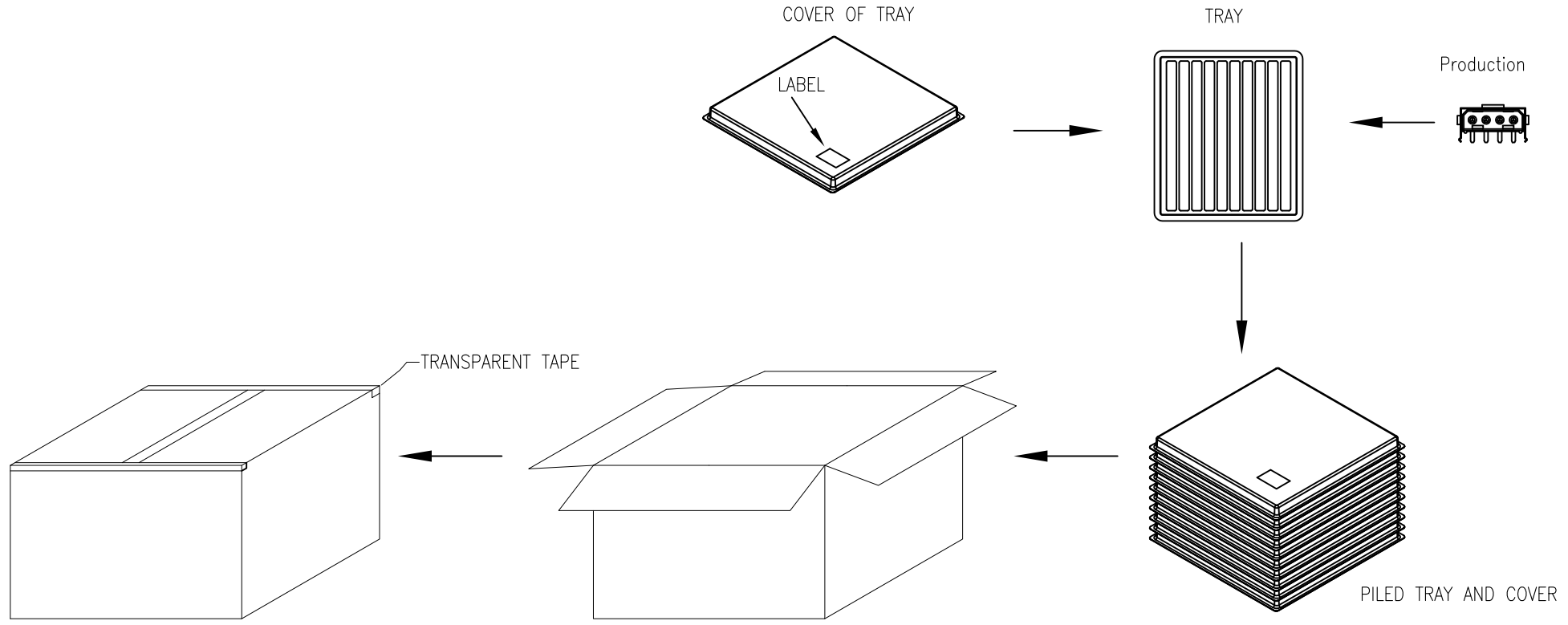
HALOGEN FREE PA66 +30GF	BLACK	DB1E17404MBOT5R7	12-0004-05
NY66	TRANSPARENCE	DB1317404MCOT5R7	12-0004-04
	BLACK	DB1317404MBOT0R7	12-0004-03
LCP	BLACK	DB1717404MBOT5R7	12-0004-02
PA6T	NATURAL	DB1217404MEOT0R7	12-0004-01
HOUSING MATERIAL	HOUSING COLOR	OLD PRAT NO.	NEW PRAT NO.

TOLERANCES UNLESS OTHERWISE SPECIFIED:		DWN MICHAEL DONG 28Aug2009		Zhongxiang Electron Science CO.,LTD	
0 PLC ± -	CHK 28Aug2009	GAVIN CHEN			
1 PLC ± 0.3	APVD 28Aug2009	JACKY YANG		NAME	
2 PLC ± 0.2	PRODUCT SPEC	JS-GC03138-A1		POWER CONNECTOR, 4 POSITION PLUG, RIGHT ANGLE, DIP.	
3 PLC ± 0.15	APPLICATION SPEC	4 CIRCUITS-01-01		SIZE	DRAWING NO
4 PLC ± -	FINISH SEE NOTE	WEIGHT 1.636 g		A3	C-12-0004
ANGLES ± 3'	PROJECTION	DIMENSIONS: MM		RESTRICTED TO	-
MATERIAL SEE NOTE		CUSTOMER DRAWING		SCALE -	SHEET 1 of 1
REVISIONS		REV A2			

REV.	DESCRIPTION	DATE	DWN	APVD
A	RELEASED	04June09	MD	DZ
A1		14Aug09	MD	JY

D
C
B
A

D
C
B
A



	100	25	2500	DB1E17404MBOT5R7	12-0004-05	4.09	5.09
				DB1317404MCOT5R7	12-0004-04		
				DB1317404MBOT0R7	12-0004-03		
				DB1717404MBOT5R7	12-0004-02		
				DB1217404MEOT0R7	12-0004-01		
PCS/ TRAY	TRAY/ CARTON	PCS/ CARTON	OLD PRAT NO.		NEW PRAT NO.	NET WEIGHT	GROSS WEIGHT

NOTE:
 1. MATERIAL:
 BOX: FIBREBOARD, CORRUGATED, DOUBLE WALL, (BURSTING STRENGTH:
 19Kgf/cm², EDGE CRUSH STRENGTH: 44 LB)
 TRAY: POLYSTYRENES, HEAT-RESISTANT TEMPERATURE: 100°C

TOLERANCES UNLESS OTHERWISE SPECIFIED: 0 PLC ± - 1 PLC ± 0.3 2 PLC ± 0.2 3 PLC ± 0.15 4 PLC ± - ANGLES ± 3°		DWN MICHAEL DONG 14Aug2009 CHK GAVIN CHEN 14Aug2009 APVD JACKY YANG 14Aug2009 PRODUCT SPEC		Zhongxiang Electron Science CO.,LTD		
MATERIAL SEE NOTE		APPLICATION SPEC		NAME		
FINISH SEE NOTE		WEIGHT		SIZE DRAWING NO		RESTRICTED TO
PROJECTION		DIMENSIONS: MM		A3 PK-12-0004		-
CUSTOMER DRAWING				SCALE -	SHEET 1 of 1	REV A1

8 7 6 5 4 3 2 1