

MATERIALS

- 1. CONTACT: BRASS
- 2. INSULATOR: NY6T (UL 94V-0)
- 3. CONTACT PLATING: GOLD OVER NICKEL

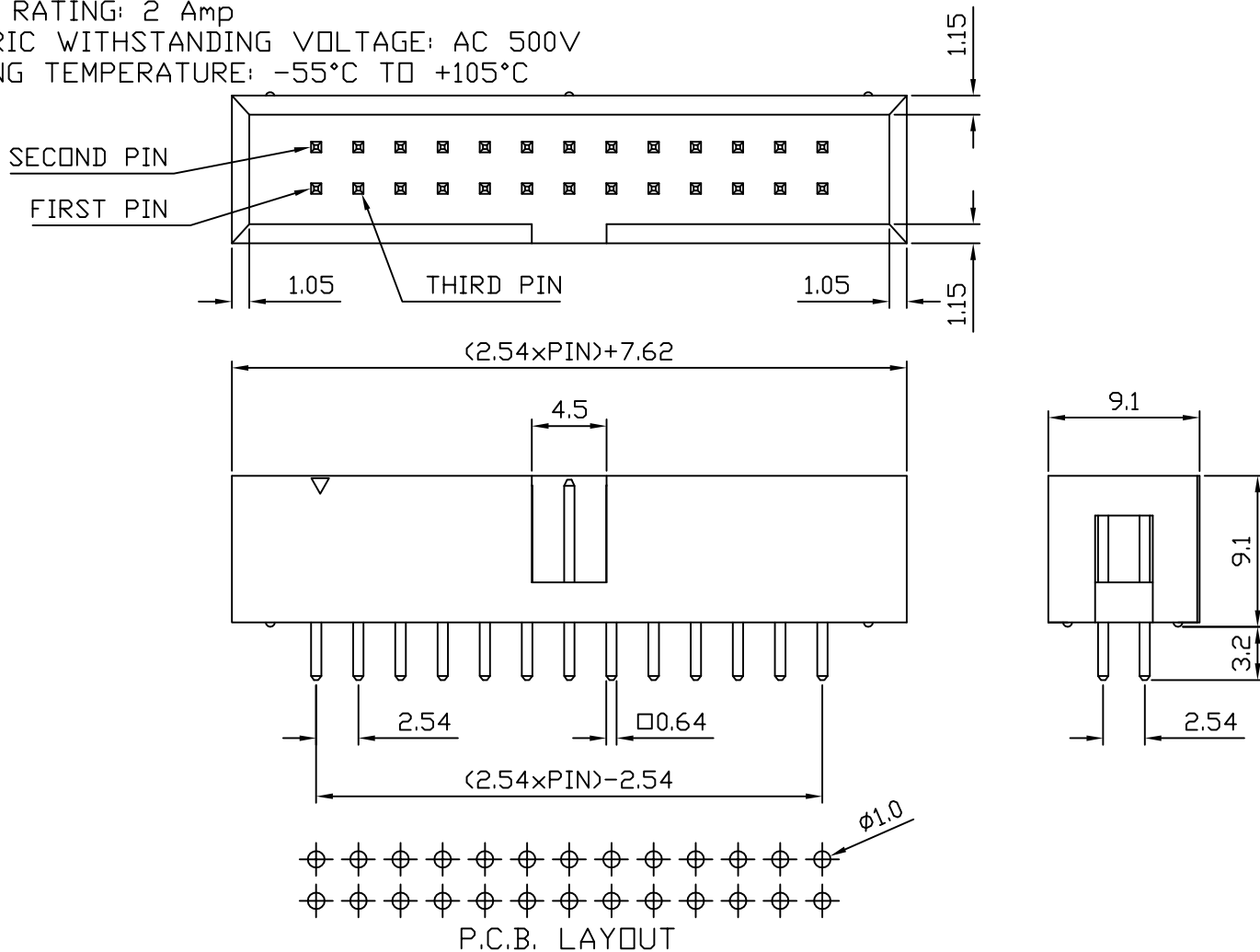
ORDER INFORMATION PART NUMBER :

BHXXS-6T

NO. of contek = Code
20=(2*10PIN)

SPECIFICATION

- 1. CONTACT RESISTANCE: 20m ohms Max
- 2. INSULATOR RESISTANCE: 1000M ohms Min
- 3. CURRENT RATING: 2 Amp
- 4. DIELECTRIC WITHSTANDING VOLTAGE: AC 500V
- 5. OPERATING TEMPERATURE: -55°C TO +105°C



豪國興業股份有限公司
Haoguo Xing Ye Share CO.,LTD.

TITLE	BOX HEADER PITCH=2.54mm STRAIGHT
DWG.NO.	BHXXS-6T

SCALE		APP.	LISA
SHEET	1 OF 1	CHK.	JACKY
UNIT	MM	DR.	DAVID

GENERAL TOLERANCE UNLESS SPECIFIED	
LINEAR	0.0±0.30
	0.00±0.20
ANGLES	±1'

REV