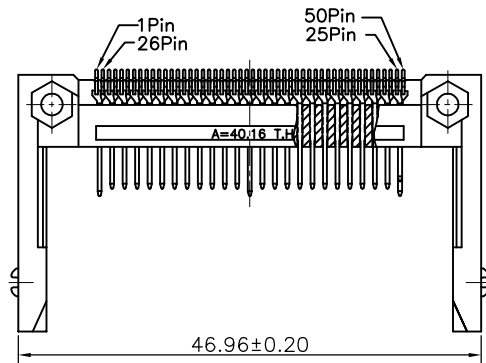


REV	ECN.NO:	B Y	DATE
A0	NEW DWG	BENDEE	07/06/30

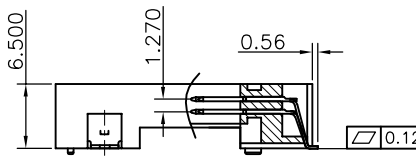
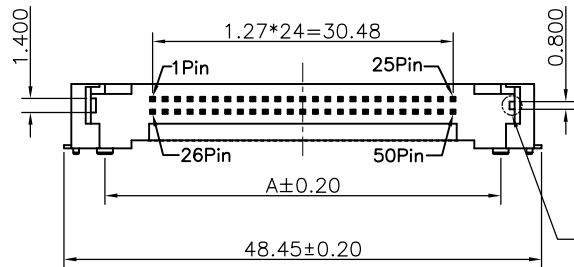


	Pin type	Dimension	Pin No.
B	POWER	5.00	1,13,38,50
C	GENERAL	4.25	OTHER
D	DETECT	3.50	25,26

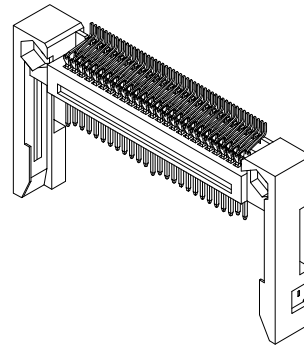
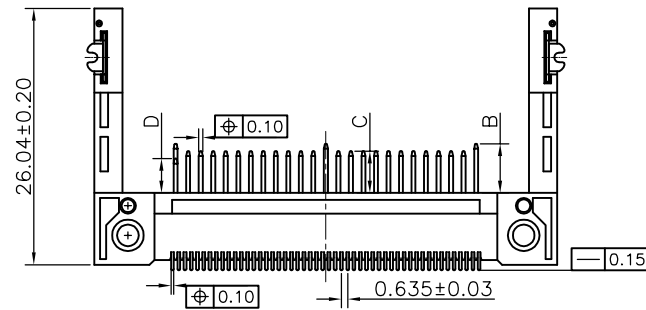
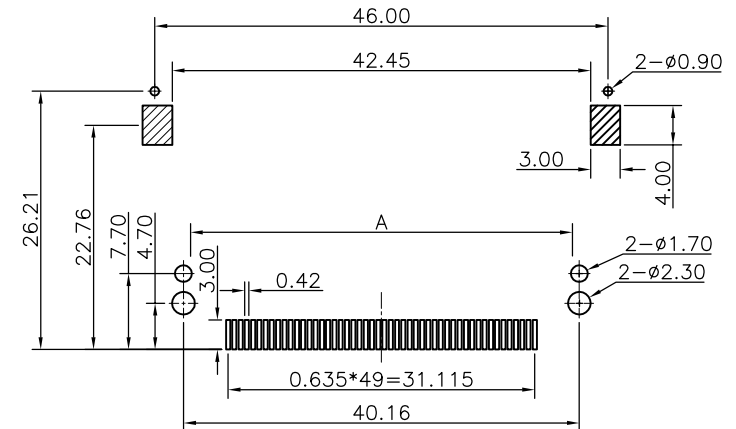
Dimension "A"
38.74
40.16

NOTES:
 Specifications
 Current rating:0.5 Amp .
 Voltage:100V AC/DC Max.
 Dielectric Withstanding:500VAC for one minute.
 Contact Resistance:40mΩ (MAX).
 Insulation Resistance:1000MΩ (MIN).
 Operating Temperature:-55℃+85℃.
 Materials:
 Insulator:LCP + 30%GF.
 Flammability Rating:UL 94V-0.
 Contacts:Brass.
 Contact Plating Gold Standard:1μ";3μ";5μ";15μ";30μ".
 PART NO.

Series No. 34 2-50 1 X 4 X XX 05
 Product Kind. No Buckle.
 Pin Number. Color: 01=White 02=Black
 Type:1=Long 2=Short. 12=Beige
 Sort:1=38.74 Brod Up. Plate:A=1U" B=3U"
 2=38.74 Brod Down C=5U" D=10U"
 3=40.16 Brod Up. E=15U" F=30U"
 4=40.16 Brod Down
 Black Up:
 0=General
 4=2.0



板上板下區分處
 區分方法:膠芯柱朝下(端子SMT面朝下),標示
 處尺寸小者為板上,大則為板下.



-TOLERANCES- UNLESS OTHERWISE SPECIFIED		<h1>豪國興業股份有限公司</h1>				
			TITLE: C.F CARD 50P 加高2.0 成品(YZ)			
X.X ±0.30	X.X° ±3°	APPD:	PRODUCT NO: 342-501X4XXX05			
X.XX ±0.15	X.XX° ±1°	CHECK:	DATE	SCALE	UNIT	TYPE PAGE
X.XXX ±0.10	X.XXX° ±0.5°	DRAW:	2007.06.30	FREE	MM	Z 1