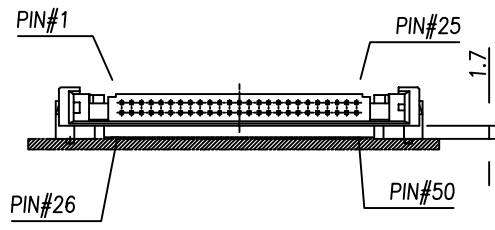
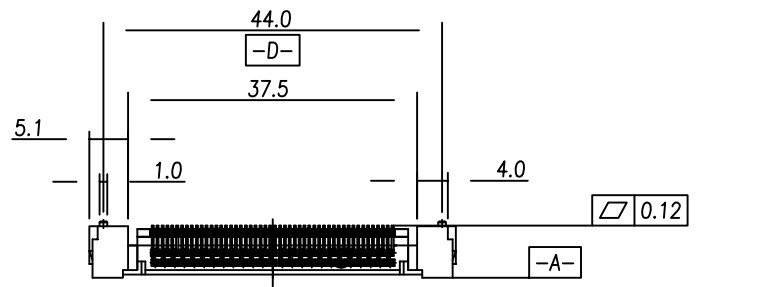
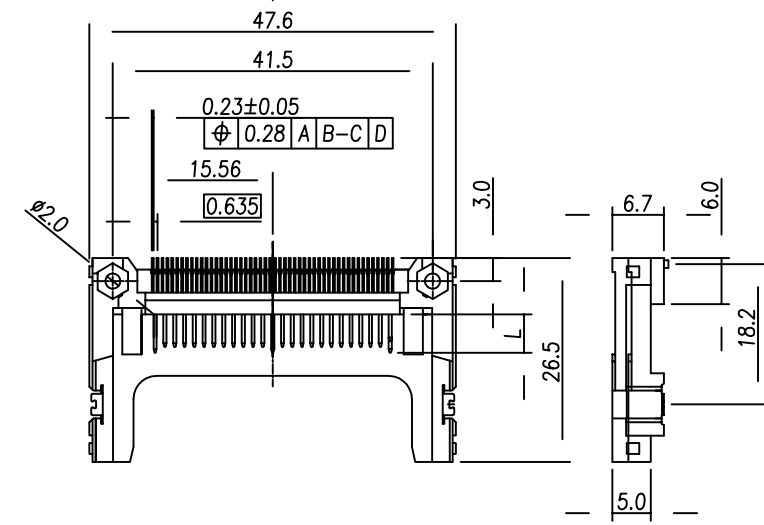


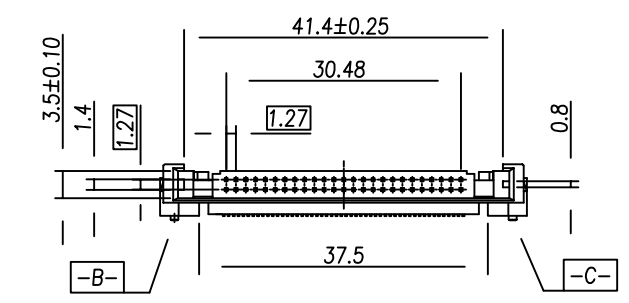
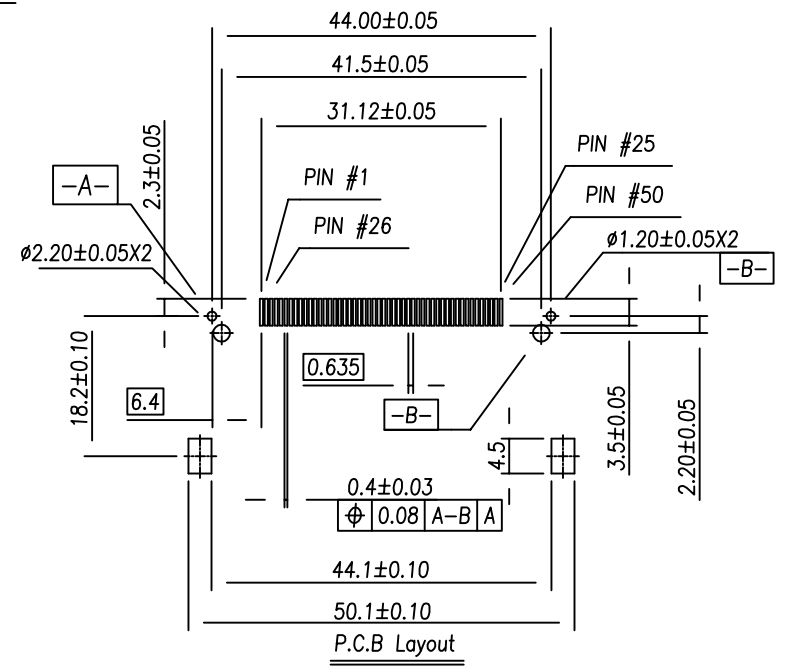
REV	ECN.NO:	B Y	DATE


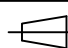


Pin Type	DIM.L	Pin Type
Detect	3.5 mm	25,26
General	4.25 mm	All Other Pins
Power	5.0 mm	1,13,38,50



SPECIFICATIONS:
 HOUSING : High Temperature Plastic, UL 94V-0
 CONTACT : Copper Alloys
 VOLTAGE RATING : 100VAC
 CURRENT RATING : 0.5A
 CONTACT RESISTANCE:40 m Ohm max.
 INSULATION RESISTANCE:1000M Ohm min.
 DIELECTRIC STRENGTH : 500VAC/1min
 OPERATION TEMPERATURE : -40°C~85°C



-TOLERANCES- UNLESS OTHERWISE SPECIFIED 公差參考表		豪國興業股份有限公司 Haoguo Xing Ye Share CO.,LTD.					
		 		TITLE : 1.27mm CF CARD CONN. 50PIN TYPE1,2 NORMAL TYPE			
X.X ±0.1	X.X°	APPD: 核准：王鈺	產品編號：CF15015W001-T				
X.XX ±0.2	X.XX°	CHECK: 校對：	DATE	SCALE	UNIT	TYPE	PAGE
X.XXX ±0.3	X.XXX°	DRAW: 繪圖：程欣		FREE	MM	A	1