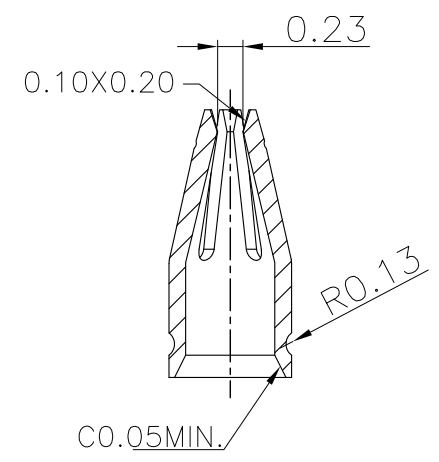
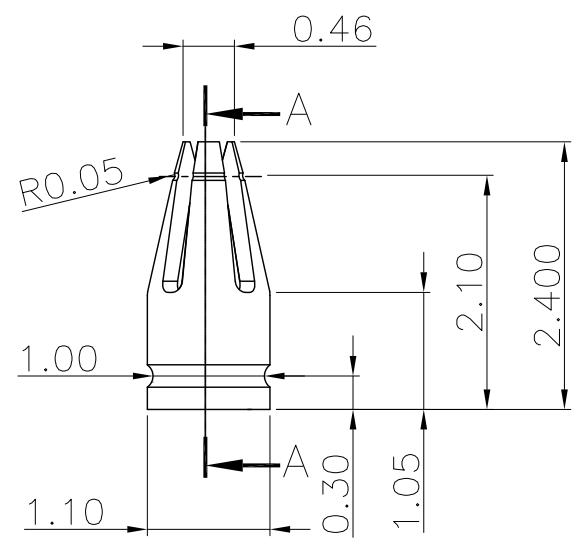
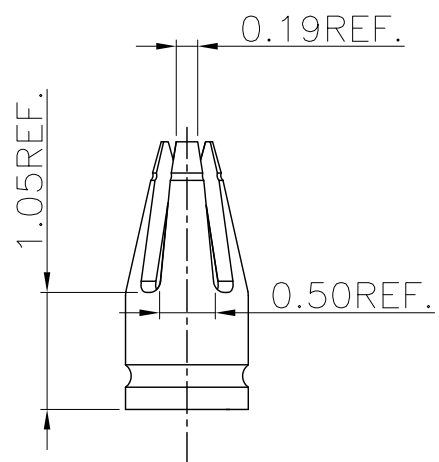
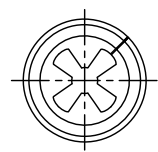


REV.	DESCRIPTION	DATE	DWN	APVD
A	RELEASED	07May10	Ben	JY



SECTION A-A

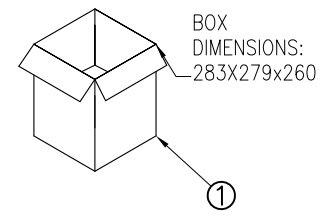
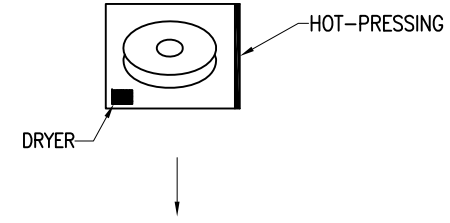
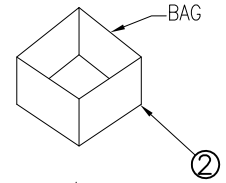
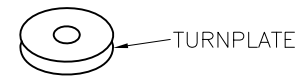
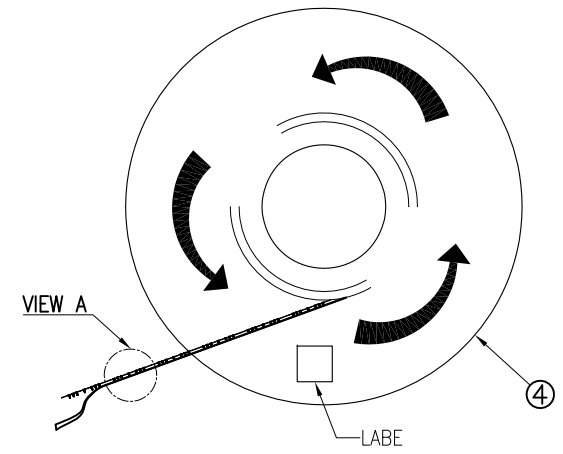
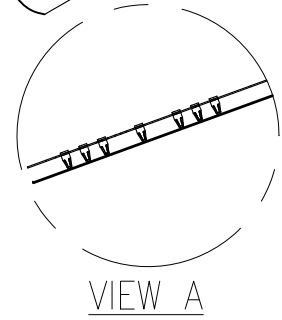
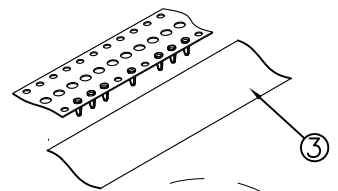
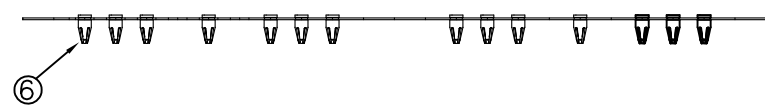
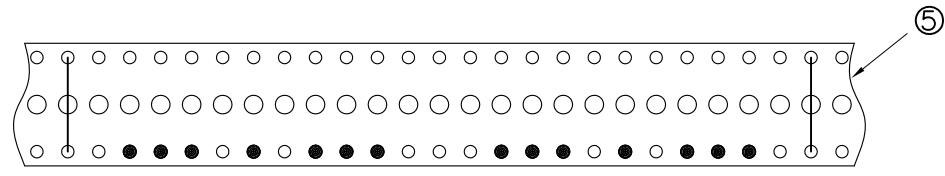


NOTE:  
 1. MATERIAL: Be cu. T=0.15mm.  
 2. FINISH:  
 CONTACTS: 3μ" MIN. GOLD PLATED OVER 50μ" MIN. NICKEL.

0.0762μm [3μ"]	32-0001-01
MIN. GOLD THICKNESS	PART NUMBER

TOLERANCES UNLESS OTHERWISE SPECIFIED: 0 PLC ± - 1 PLC ± 0.38 2 PLC ± 0.25 3 PLC ± 0.10 4 PLC ± - ANGLES ± 3°	DWN	BEN_CHEN	07May2010	<b>HAOGUO XING YE SHARE CO.,LTD.</b>  SOCKET		
	CHK	GAVIN_CHEN	07May2010			
	APVD	JACKY YANG	07May2010		NAME	
	PRODUCT SPEC					
MATERIAL	SEE NOTE	APPLICATION SPEC		SIZE	DRAWING NO	RESTRICTED TO
FINISH	SEE NOTE	WEIGHT	- GRAMS	A3	C-32-0001	-
PROJECTION		DIMENSIONS:	MM	CUSTOMER DRAWING	SCALE	SHEET
				1	of 1	REV
				A		

REV.	DESCRIPTION	DATE	DWN	APVD
A	RELEASED	07MAY10	BEN	JY



NO.	PART NAME	PART NO.
1	CARTON	PK-3080
2	BAG	PK-0018
3	PUNCH TAPE	PK-4046
4	TURNPLATE	PK-5023
5	TAPE	PK-5022
6	CONN	32-0001-01

NOTE:  
 1.MATERIAL:  
 BOX: FIBREBOARD, CORRUGATED, DOUBLE WALL.  
 TURNPLATE: PAPER.  
 TAPE: POLYCARBONATE, HEAT-RESISTANT TEMPERATURE: 130°C.  
 BAG: POLYETHYLENE, HEAT-RESISTANT TEMPERATURE: 100°C.  
 2.透明TAPE前后各空100mm, 纸带前后各500mm.

3.02	0.14	20048	8	2506	32-0001-01
G.W/(kg)	N.W/(kg)	PCS/CARTON	REELS/BOX	PCS/REEL	PART NUMBER

TOLERANCES UNLESS OTHERWISE SPECIFIED: 0 PLC ± - 1 PLC ± 0.3 2 PLC ± 0.2 3 PLC ± 0.15 4 PLC ± - ANGLES ± 3'	DWN BEN_CHEN 07MAY2010 CHK GAVIN_CHEN 07MAY2010 APVD JACKY YANG 07MAY2010 PRODUCT SPEC	<b>Zhongxiang Electron Science CO.,LTD</b>			
MATERIAL SEE NOTE	APPLICATION SPEC	NAME SOCKET PACKAGE			
FINISH SEE NOTE	PROJECTION	SIZE A3	DRAWING NO PK-32-0001	RESTRICTED TO -	
DIMENSIONS: mm		CUSTOMER DRAWING	SCALE None	SHEET 1 of 1	REV A

8      7      6      5      4      3      2      1