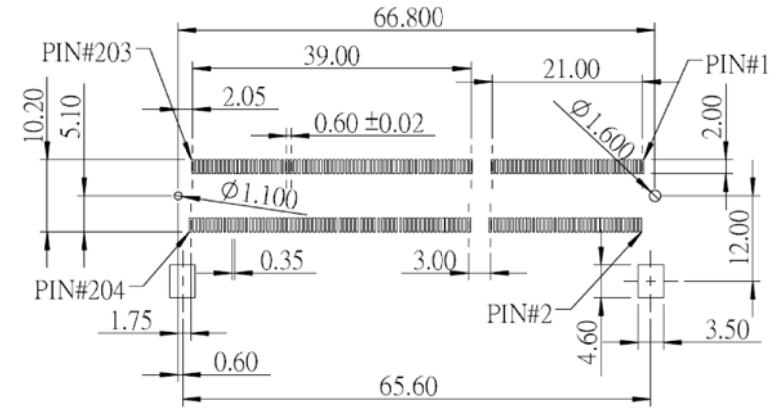
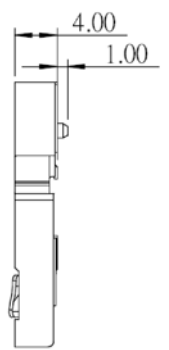
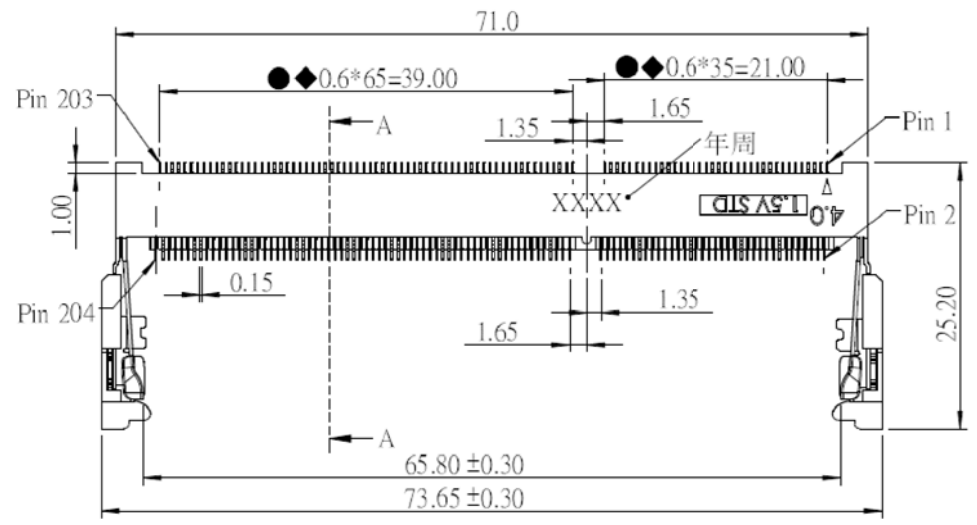
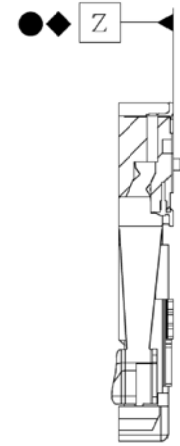


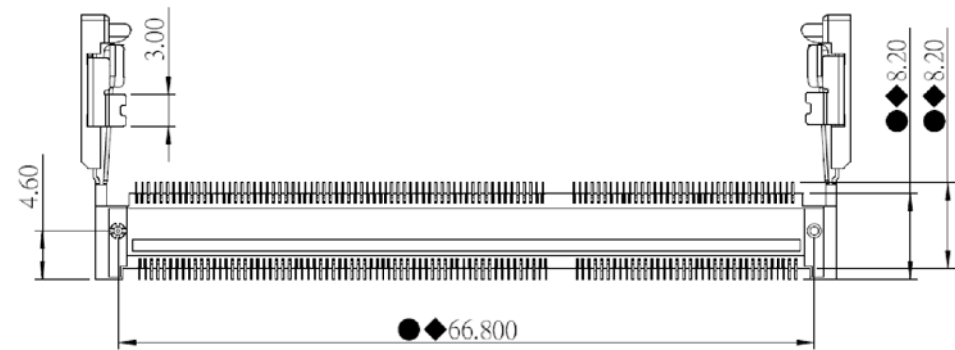
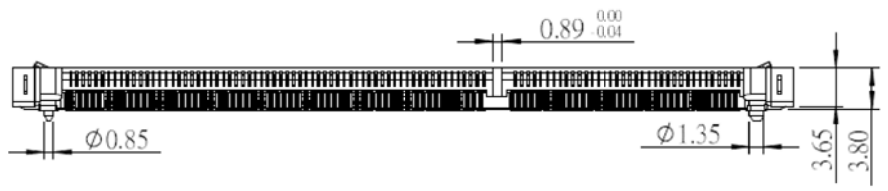
REV.	DESCRIPTION	DATE	DWN	APVD
1	PRELIMINARY	16JUL10	JC	BC



NOTE:
 1. SOLDER TAIL TO BE WITHIN 0.05 UPWARD AND 0.2 DOWNWARD FROM Z-DATUM PLACE, AND COPLANALITY OF SOLDER TAILS TO BE WITHIN 0.10. MEASUREMENT POINT IS SOLDER TAILS TIP.
 2. HSF CONCRRAFT LEVEL 1
 3. INSPECTION SYMBOL:
 ● : MANUFACTURER INSPECTION
 ◆ : Q.C INSPECTION



A-A (2:1)

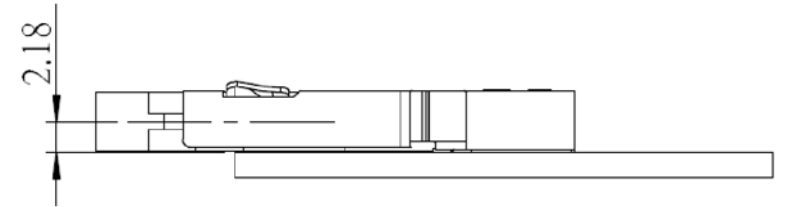
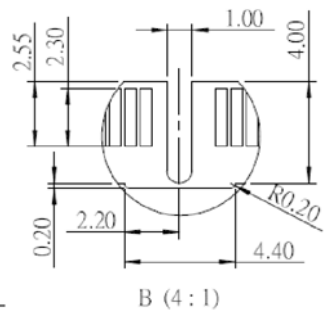
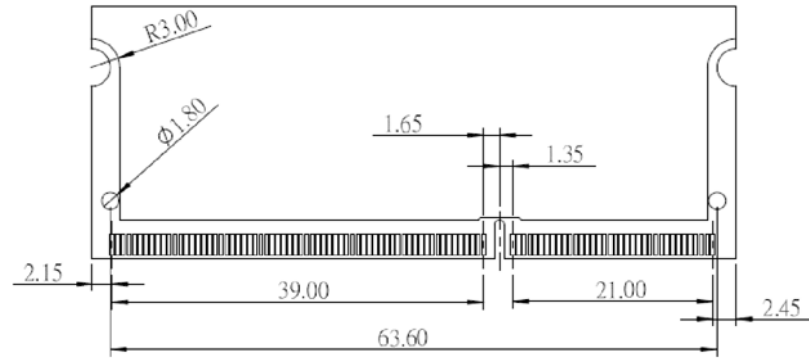
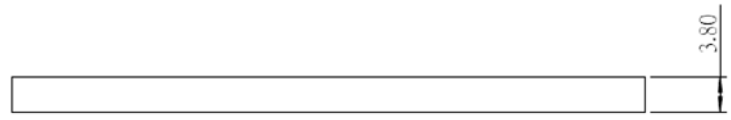
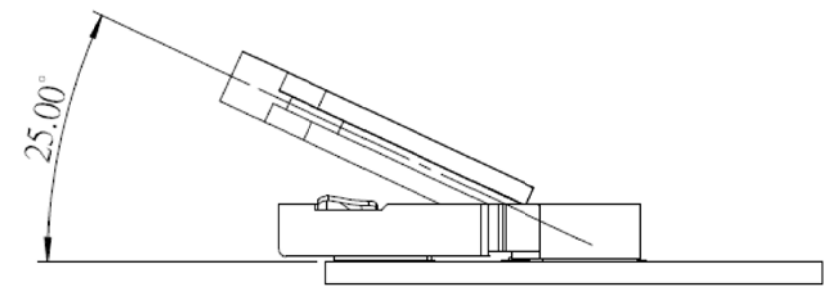
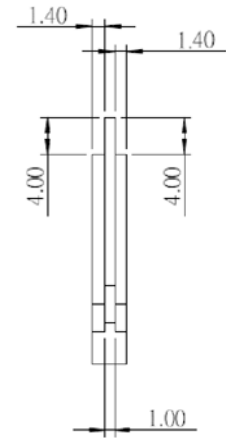
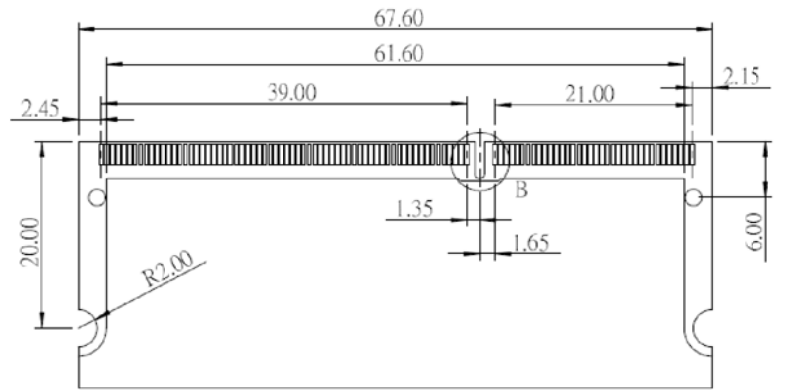


NOTE:
 1. MATERIAL:
 HOUSING: LCP, UL 94V-0, BLACK COLOR.
 CONTACTS: COPPER ALLOY.
 LATCH: STAINLESS.
 2. FINISH:
 CONTACTS: GOLD PLATED ON CONTACT AREA, GOLD PLATED ON SOLDER TAIL, WITH ENTIRE CONTACT UNDERPLATED 50μ" MIN. NICKEL.
 LATCH: TIN PLATED ON SOLDER TAIL, 50μ" MIN. NICKEL OVERALL.

2μ"	J16-0007-01
MIN. GOLD THICKNESS	PART NUMBER

TOLERANCES UNLESS OTHERWISE SPECIFIED:		DWN	16JUL2010	HAOGUO XING YE SHARE CO.,LTD.	
0 PLC	± 0.3	CHK	JOHN		
1 PLC	± 0.2	MARKS			
2 PLC	± 0.1	APVD	16JUL2010		
3 PLC	± 0.05	BEST		NAME	
4 PLC	± -	PRODUCT SPEC		DDR SO DIMM 204P	
ANGLES	± 3°	APPLICATION SPEC		SIZE	
MATERIAL SEE NOTE		WEIGHT		DRAWING NO	
FINISH SEE NOTE		DIMENSIONS:		A3 J16-0007	
PROJECTION		MM		RESTRICTED TO	
CUSTOMER DRAWING		SCALE		SHEET 1 OF 3	
REV 1		REV 1		REV 1	

REV.	DESCRIPTION	DATE	DWN	APVD
1	PRELIMINARY	16JUL10	JC	BC

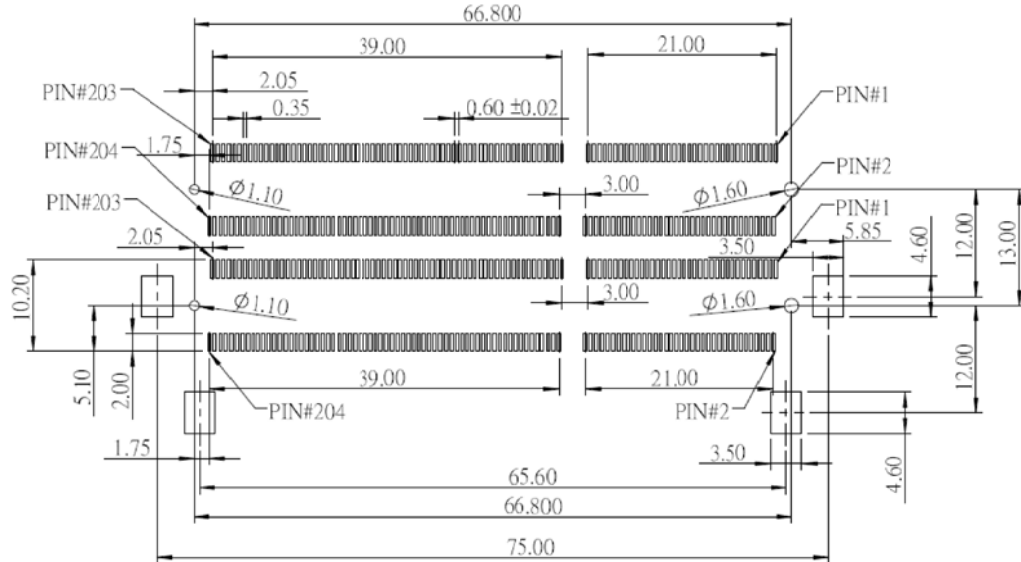
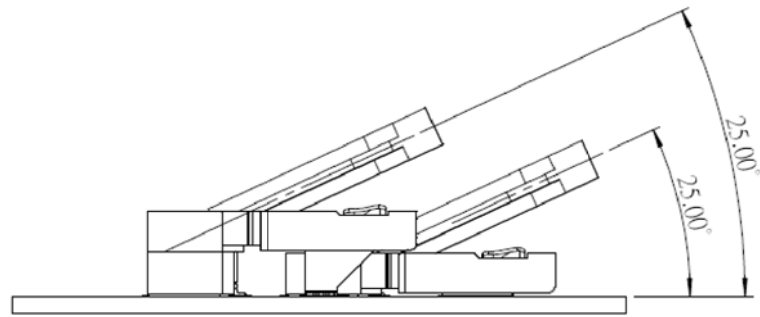
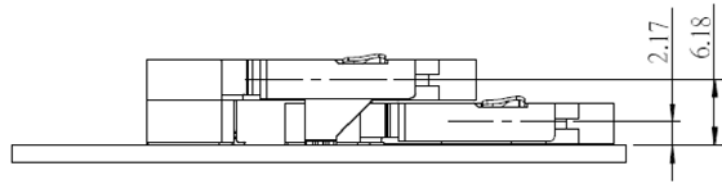


TOLERANCES UNLESS OTHERWISE SPECIFIED: 0 PLC ± 0.3 1 PLC ± 0.2 2 PLC ± 0.1 3 PLC ± 0.05 4 PLC ± - ANGLES ± 3°	DWN	16JUL2010	HAOGUO XING YE SHARE CO.,LTD.		
	CHK	16JUL2010			
	MATERIAL	SEE NOTE	APVD	16JUL2010	NAME
	FINISH	SEE NOTE	PRODUCT SPEC	DDR SO DIMM 204P	
PROJECTION		APPLICATION SPEC	SIZE	DRAWING NO	RESTRICTED TO
		WEIGHT	- GRAMS	A3 J16-0007	-
		DIMENSIONS:	MM	CUSTOMER DRAWING	SCALE - SHEET 2 OF 3 REV 1

8 7 6 5 4 3 2 1

DDR S.O. DIMM 204P 4.0&8.0 OVERLAY FIGURE

REV.	DESCRIPTION	DATE	DWN	APVD
1	PRELIMINARY	16JUL10	JC	BC



PCB LAYOUT : COMPONENT SIDE(4.0&8.0TYPE)

TOLERANCES UNLESS OTHERWISE SPECIFIED: 0 PLC ± 0.3 1 PLC ± 0.2 2 PLC ± 0.1 3 PLC ± 0.05 4 PLC ± - ANGLES ± 3°	DWN JOHN 16JUL2010	HAOGUO XING YE SHARE CO.,LTD.			
	CHK MARKS 16JUL2010				
	APVD BEST 16JUL2010	NAME	DDR SO DIMM 204P		
	PRODUCT SPEC				
MATERIAL SEE NOTE	APPLICATION SPEC	SIZE	DRAWING NO	RESTRICTED TO	
FINISH SEE NOTE	WEIGHT - GRAMS	A3	J16-0007	-	
PROJECTION 	DIMENSIONS: MM	CUSTOMER DRAWING	SCALE -	SHEET 3 OF 3	REV 1

8

7

6

5

4

3

2

1