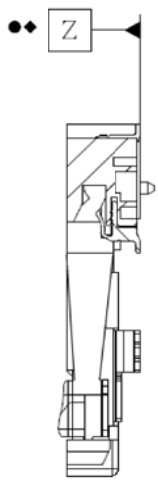
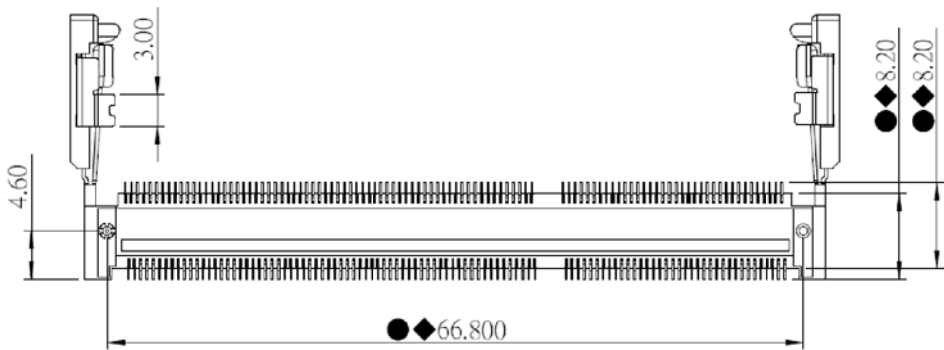
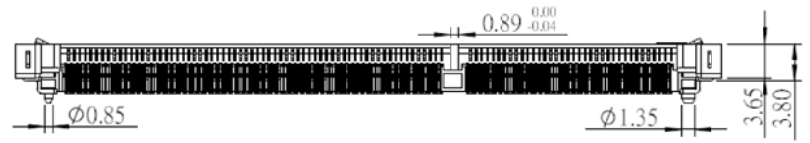
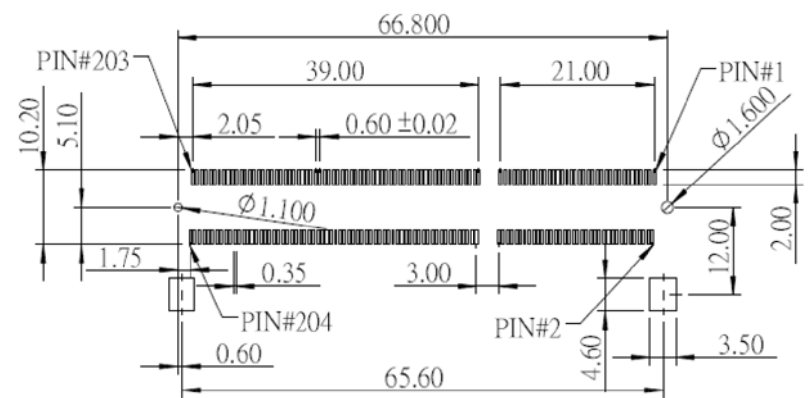
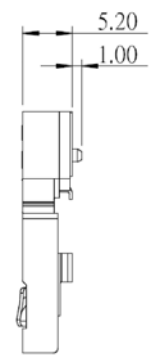
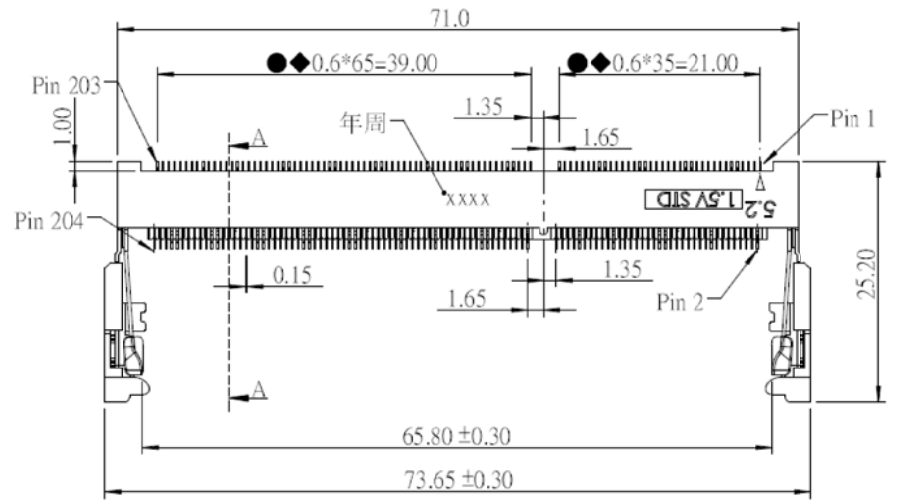


REV.	DESCRIPTION	DATE	DWN	APVD
1	PRELIMINARY	16JUL10	JC	BC



A-A (2:1)

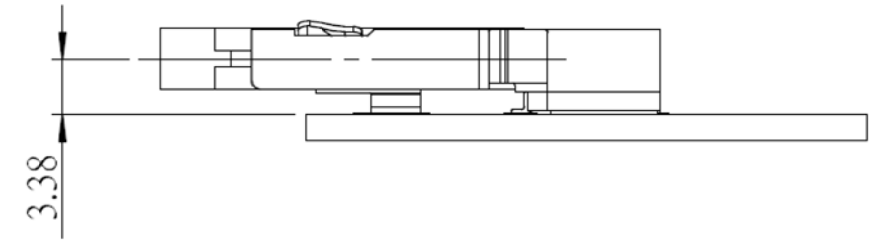
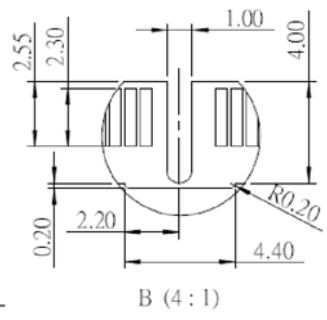
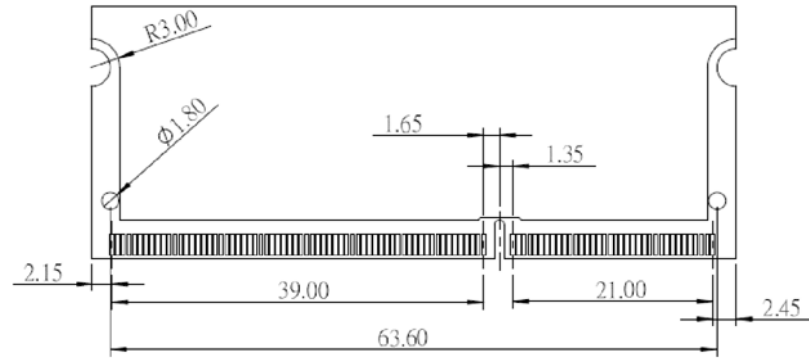
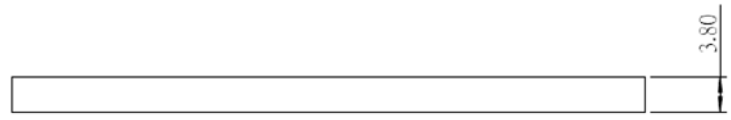
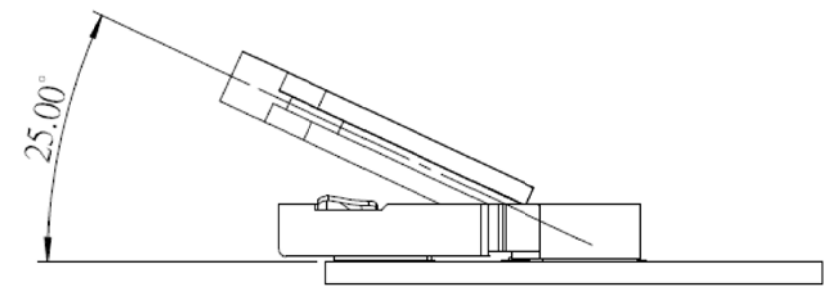
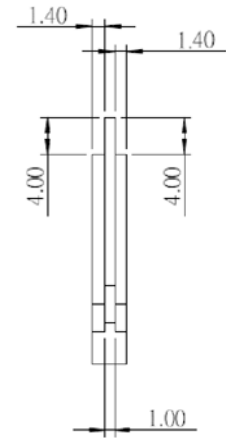
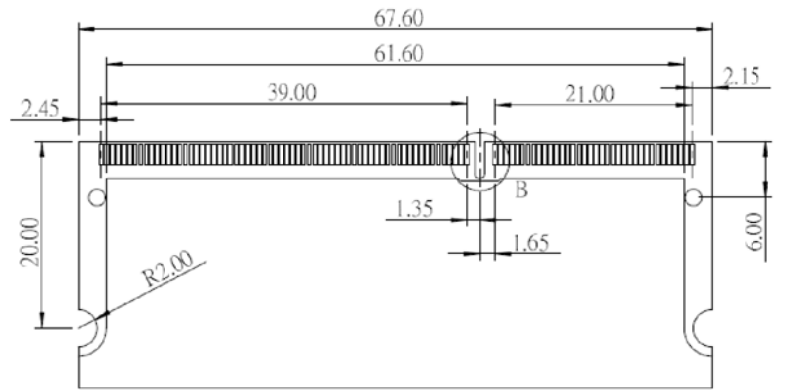
NOTE:  
 1. SOLDERTAIL TO BE WITHIN 0.05 UPWARD AND 0.2 DOWNWARD FROM Z-DATUM PLACE. AND COPLANALITY OF SOLDERTAILS TO BE WITHIN 0.10 MEASUREMENT POINT IS SOLDERTAILS TIP.  
 2. HSF CONCRRAFT LEVEL 1  
 3. INSPECTION SYMBOL:  
 ● : MANUFACTURER INSPECTION  
 ◆ : Q.C INSPECTION

NOTE:  
 1. MATERIAL:  
 HOUSING: LCP, UL 94V-0, BLACK COLOR.  
 CONTACTS: COPPER ALLOY.  
 LATCH: STAINLESS.  
 2. FINISH:  
 CONTACTS: GOLD PLATED ON CONTACT AREA, GOLD PLATED ON SOLDER TAIL, WITH ENTIRE CONTACT UNDERPLATED 50μ" MIN. NICKEL.  
 LATCH: TIN PLATED ON SOLDER TAIL, 50μ" MIN. NICKEL OVERALL.

2μ"	J16-0008-01
MIN. GOLD THICKNESS	PART NUMBER

TOLERANCES UNLESS OTHERWISE SPECIFIED: 0 PLC ± 0.3 1 PLC ± 0.2 2 PLC ± 0.1 3 PLC ± 0.05 4 PLC ± - ANGLES ± 3°	DWN JOHN 16JUL2010 CHK MARKS 16JUL2010 APVD BEST 16JUL2010 PRODUCT SPEC	<b>HAOGUO XING YE SHARE CO.,LTD.</b>	
MATERIAL SEE NOTE	APPLICATION SPEC	NAME DDR SO DIMM 204P	
FINISH SEE NOTE	WEIGHT - GRAMS	SIZE A3	DRAWING NO J16-0008
PROJECTION	DIMENSIONS: MM	CUSTOMER DRAWING	RESTRICTED TO -
		SCALE -	SHEET 1 OF 3 REV 1

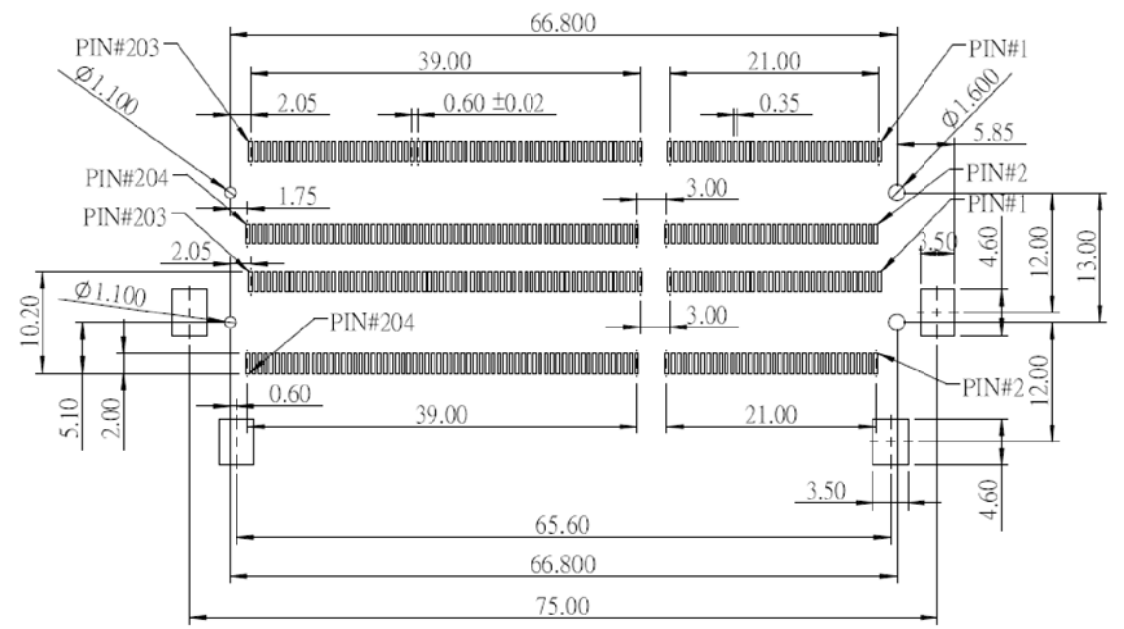
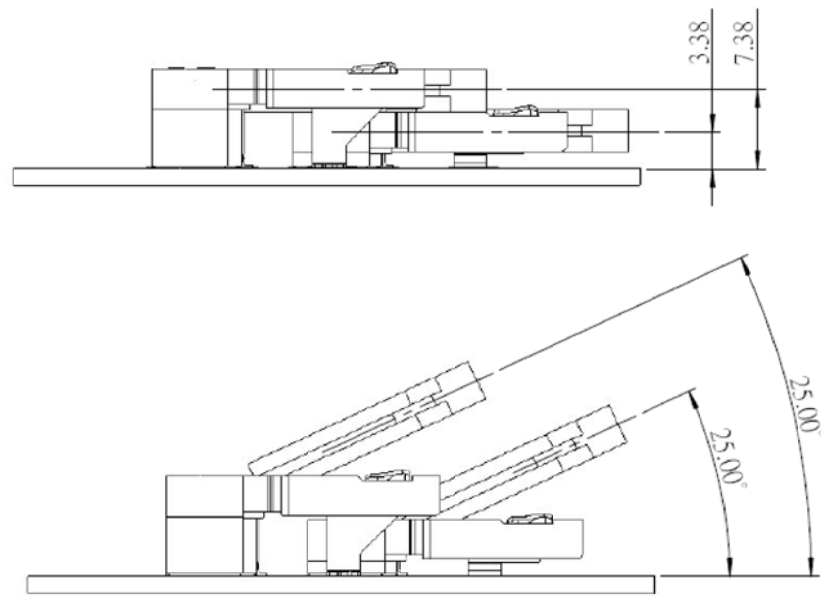
REV.	DESCRIPTION	DATE	DWN	APVD
1	PRELIMINARY	16JUL10	JC	BC



TOLERANCES UNLESS OTHERWISE SPECIFIED: 0 PLC ± 0.3 1 PLC ± 0.2 2 PLC ± 0.1 3 PLC ± 0.05 4 PLC ± - ANGLES ± 3°	DWN	16JUL2010	<b>HAOGUO XING YE SHARE CO.,LTD.</b>	
	CHK	JOHN		
	MATERIAL	SEE NOTE	MARKS	NAME
	FINISH	SEE NOTE	APVD	16JUL2010
PROJECTION	SEE NOTE	PRODUCT SPEC	BEST	
		APPLICATION SPEC		
		WEIGHT	- GRAMS	
		DIMENSIONS:	MM	
		SIZE	A3	DRAWING NO
		RESTRICTED TO	J16-0008	
		CUSTOMER DRAWING	SCALE	SHEET 2 OF 3
				REV 1

# DDR S.O. DIMM 204P 5.2&9.2 OVERLAY FIGURE

REV.	DESCRIPTION	DATE	DWN	APVD
1	PRELIMINARY	16JUL10	JC	BC



PCB LAYOUT : COMPONENT SIDE(5.2&9.2TYPE)

TOLERANCES UNLESS OTHERWISE SPECIFIED: 0 PLC ± 0.3 1 PLC ± 0.2 2 PLC ± 0.1 3 PLC ± 0.05 4 PLC ± - ANGLES ± 3°	DWN	16JUL2010	<b>HAOGUO XING YE SHARE CO.,LTD.</b>	
	CHK	JOHN		
	MARKS	16JUL2010	NAME	
	APVD	BEST		
SEE NOTE	APPLICATION SPEC	DDR SO DIMM 204P		
SEE NOTE	WEIGHT	- GRAMS	SIZE	DRAWING NO
PROJECTION	DIMENSIONS:	MM	A3	J16-0008
		CUSTOMER DRAWING	SCALE	SHEET 3 OF 3
				REV 1