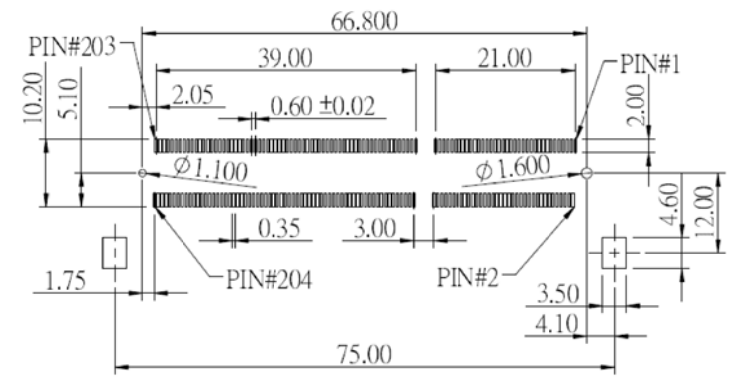
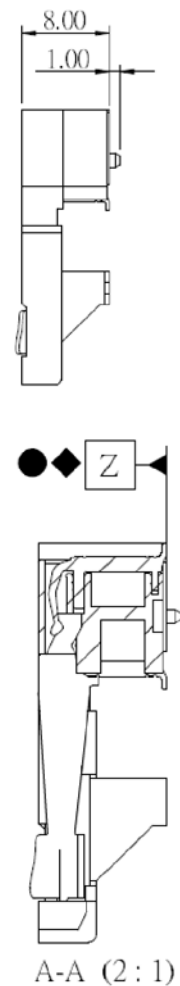
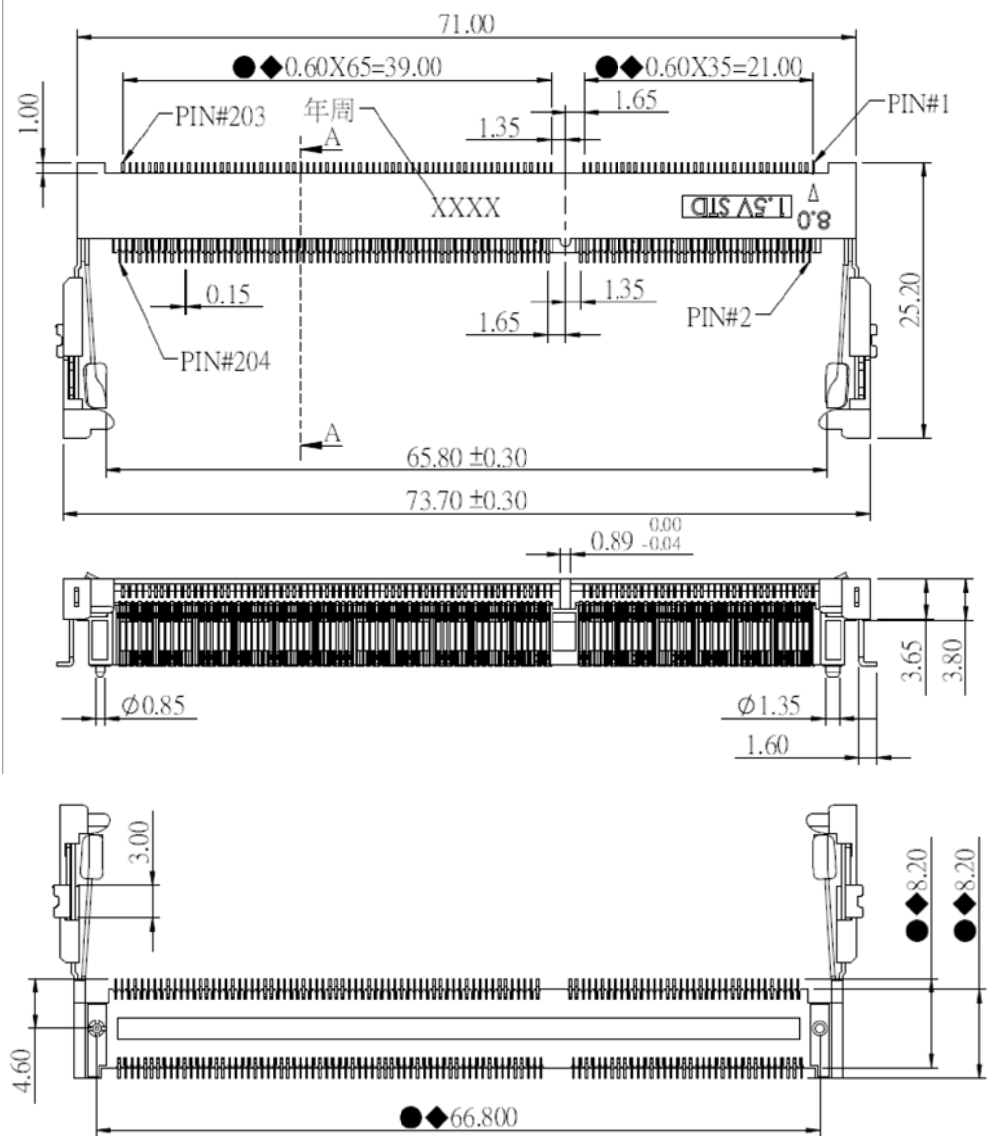


REV.	DESCRIPTION	DATE	DWN	APVD
1	PRELIMINARY	16JUL10	JC	BC

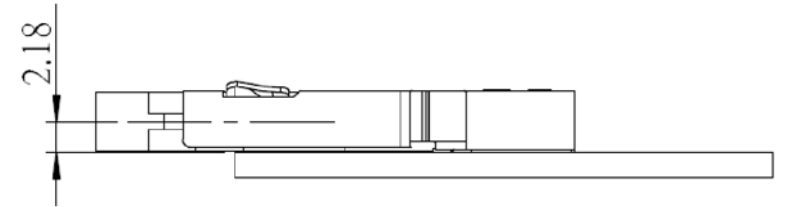
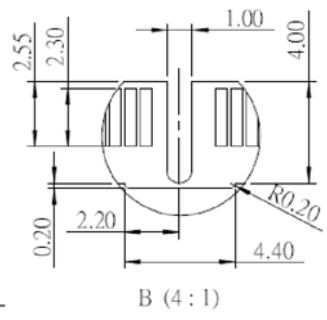
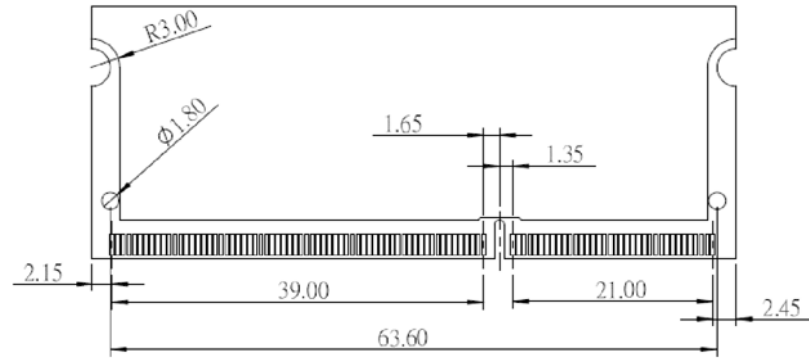
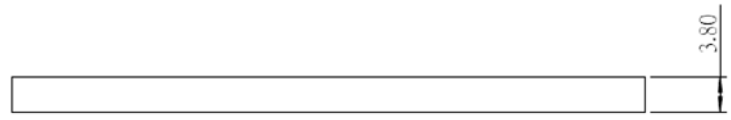
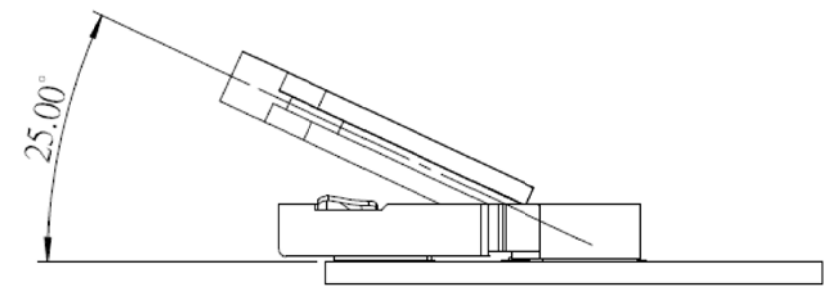
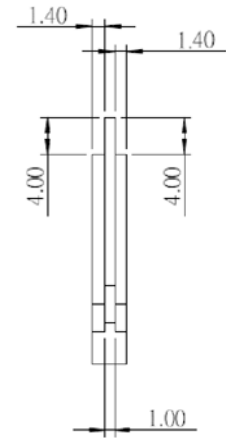
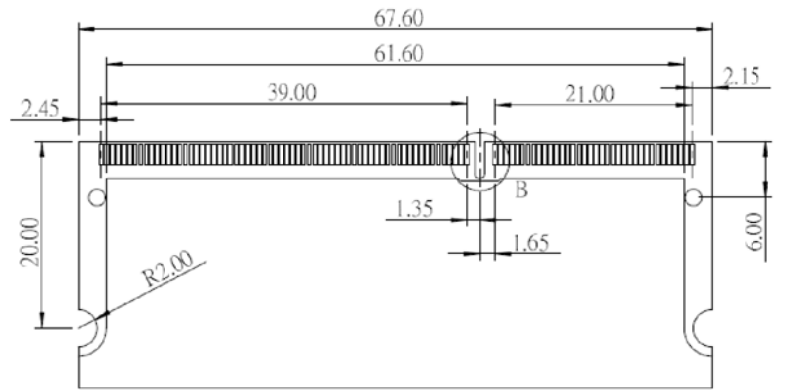


NOTE:
 1. SOLDERTAIL TO BE WITHIN 0.05 UPWARD AND 0.2 DOWNWARD FROM Z-DATUM PLACE, AND COPLANALITY OF SOLDERTAILS TO BE WITHIN 0.10 MEASUREMENT POINT IS SOLDERTAILS TIP.
 2. HSF CONCRRAFT LEVEL 1
 3. INSPECTION SYMBOL:
 ● : MANUFACTURER INSPECTION
 ◆ : Q.C INSPECTION

NOTE:
 1. MATERIAL:
 HOUSING: LCP, UL 94V-0, BLACK COLOR.
 CONTACTS: COPPER ALLOY.
 LATCH: STAINLESS.
 2. FINISH:
 CONTACTS: GOLD PLATED ON CONTACT AREA, GOLD PLATED ON SOLDER TAIL, WITH ENTIRE CONTACT UNDERPLATED 50μ" MIN. NICKEL.
 LATCH: TIN PLATED ON SOLDER TAIL, 50μ" MIN. NICKEL OVERALL.

TOLERANCES UNLESS OTHERWISE SPECIFIED: 0 PLC ± 0.3 1 PLC ± 0.2 2 PLC ± 0.1 3 PLC ± 0.05 4 PLC ± - ± 3° MATERIAL SEE NOTE FINISH SEE NOTE PROJECTION	DWN JOHN 16JUL2010 CHK MARKS 16JUL2010 APVD BEST 16JUL2010 PRODUCT SPEC APPLICATION SPEC WEIGHT - GRAMS DIMENSIONS: MM	HAOGUO XING YE SHARE CO.,LTD. NAME DDR SO DIMM 204P SIZE A3 DRAWING NO J16-0009 CUSTOMER DRAWING	MIN. GOLD THICKNESS 2μ" PART NUMBER J16-0009-01 RESTRICTED TO - SCALE - SHEET 1 OF 3 REV 1
---	--	---	---

REV.	DESCRIPTION	DATE	DWN	APVD
1	PRELIMINARY	16JUL10	JC	BC

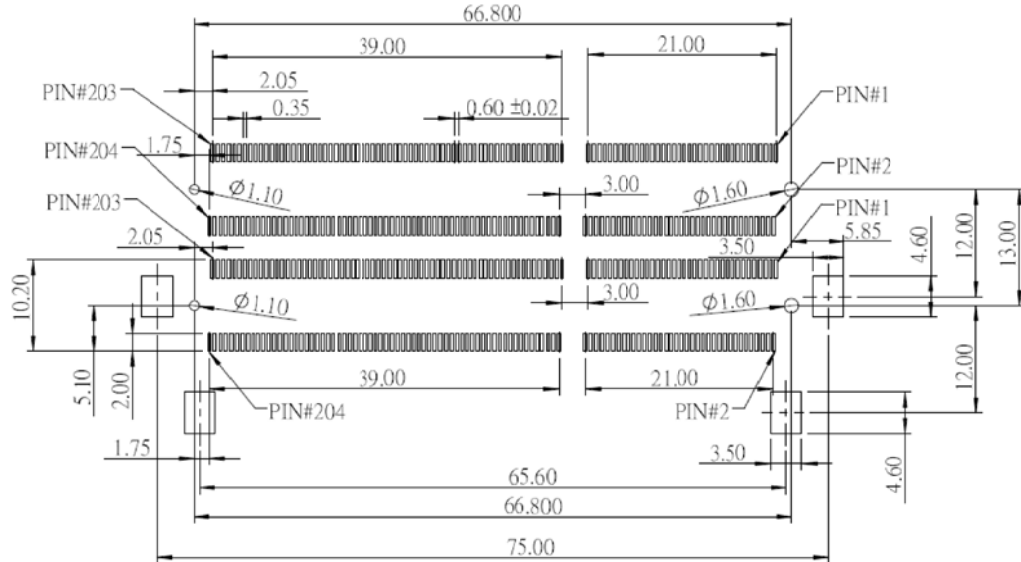
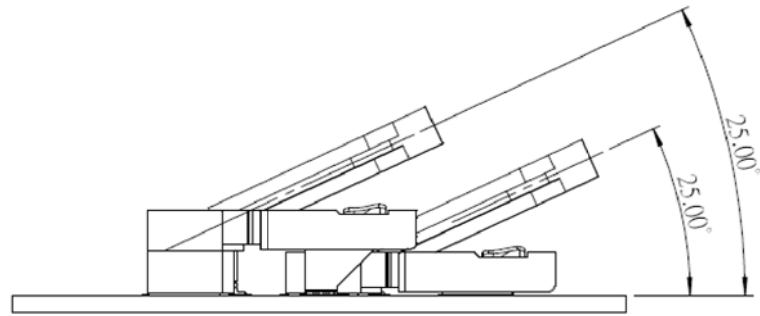
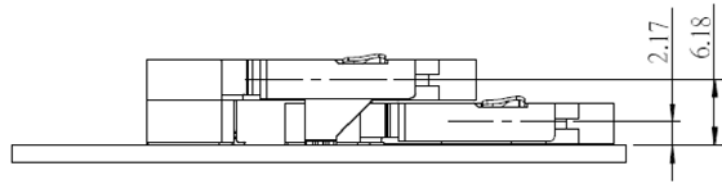


TOLERANCES UNLESS OTHERWISE SPECIFIED:		DWN	16JUL2010	HAOGUO XING YE SHARE CO.,LTD.		
0 PLC	± 0.3	CHK	JOHN			
1 PLC	± 0.2	CHK	MARKS			
2 PLC	± 0.1	APVD	16JUL2010			
3 PLC	± 0.05	APVD	BEST	NAME		
4 PLC	± 0.05	PRODUCT SPEC			DDR SO DIMM 204P	
ANGLES	± 3°	APPLICATION SPEC			SIZE	
MATERIAL	SEE NOTE	WEIGHT			DRAWING NO	
FINISH	SEE NOTE	DIMENSIONS:			RESTRICTED TO	
PROJECTION		MM			A3 J16-0009	
				CUSTOMER DRAWING	SCALE	SHEET 2 OF 3
						REV 1

8 7 6 5 4 3 2 1

DDR S.O. DIMM 204P 4.0&8.0 OVERLAY FIGURE

REV.	DESCRIPTION	DATE	DWN	APVD
1	PRELIMINARY	16JUL10	JC	BC



TOLERANCES UNLESS OTHERWISE SPECIFIED: 0 PLC ± 0.3 1 PLC ± 0.2 2 PLC ± 0.1 3 PLC ± 0.05 4 PLC ± - ANGLES ± 3°	DWN JOHN 16JUL2010	HAOGUO XING YE SHARE CO.,LTD.			
	CHK MARKS 16JUL2010				
	APVD BEST 16JUL2010	NAME	DDR SO DIMM 204P		
	PRODUCT SPEC				
MATERIAL SEE NOTE	APPLICATION SPEC	SIZE	DRAWING NO	RESTRICTED TO	
FINISH SEE NOTE	WEIGHT - GRAMS	A3	J16-0009	-	
PROJECTION 	DIMENSIONS: MM	CUSTOMER DRAWING	SCALE -	SHEET 3 OF 3	REV 1