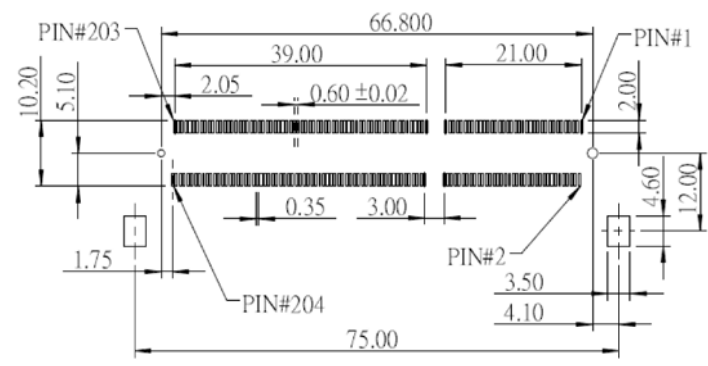
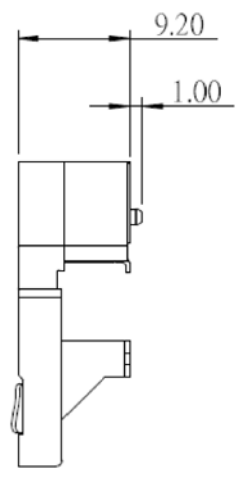
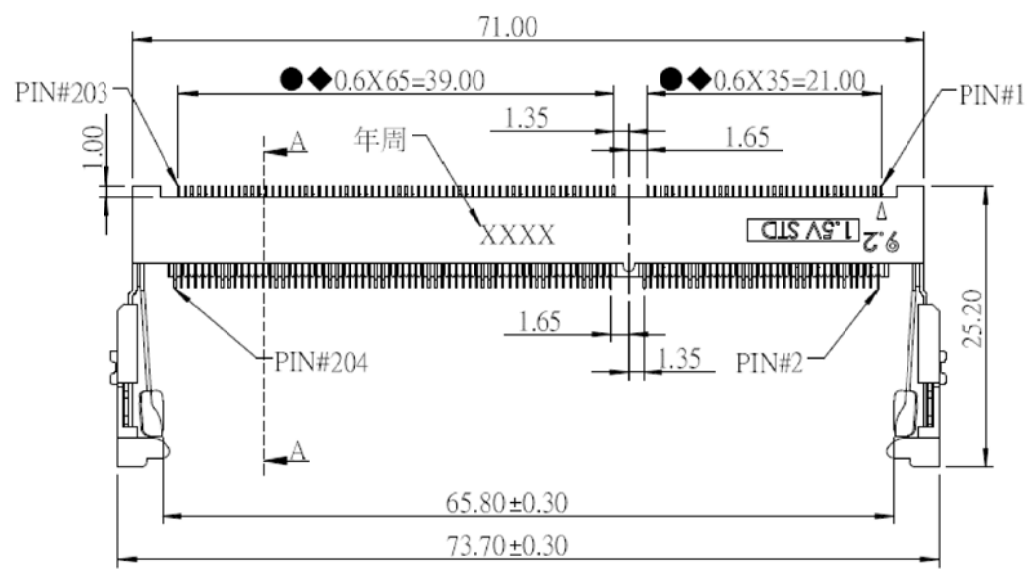
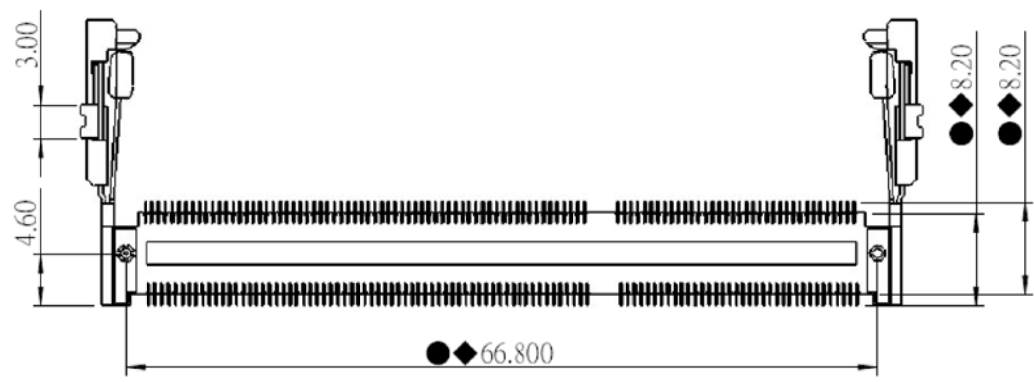
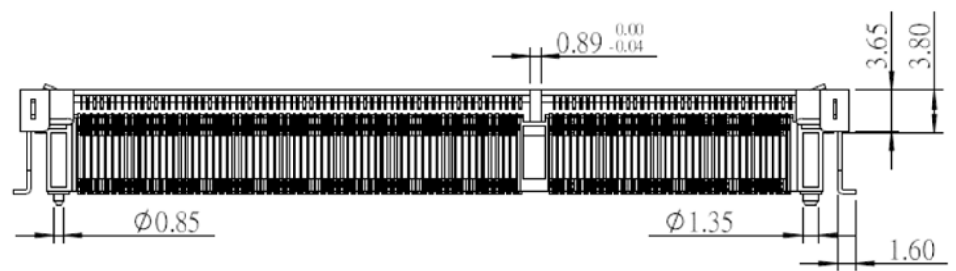
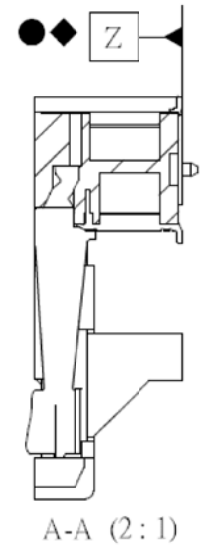


REV.	DESCRIPTION	DATE	DWN	APVD
1	PRELIMINARY	16JUL10	JC	BC



NOTE:
 1. SOLDERTAIL TO BE WITHIN 0.05 UPWARD AND 0.2 DOWNWARD FROM Z-DATUM PLACE, AND COPLANALITY OF SOLDERTAILS TO BE WITHIN 0.10
 MEASUREMENT POINT IS SOLDERTAILS TIP.
 2. HSF CONCRRAFT LEVEL 1
 3. INSPECTION SYMBOL:
 ● : MANUFACTURER INSPECTION
 ◆ : Q.C INSPECTION

NOTE:
 1. MATERIAL:
 HOUSING: LCP, UL 94V-0, BLACK COLOR.
 CONTACTS: COPPER ALLOY.
 LATCH: STAINLESS.
 2. FINISH:
 CONTACTS: GOLD PLATED ON CONTACT AREA, GOLD PLATED ON SOLDER TAIL, WITH ENTIRE CONTACT UNDERPLATED 50μ" MIN. NICKEL.
 LATCH: TIN PLATED ON SOLDER TAIL, 50μ" MIN. NICKEL OVERALL.

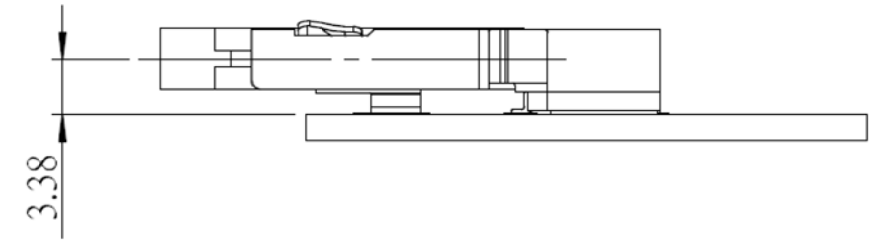
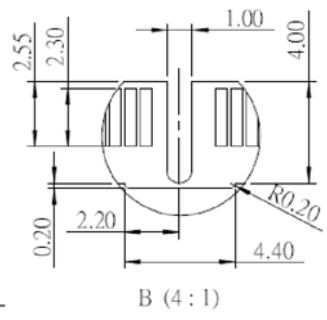
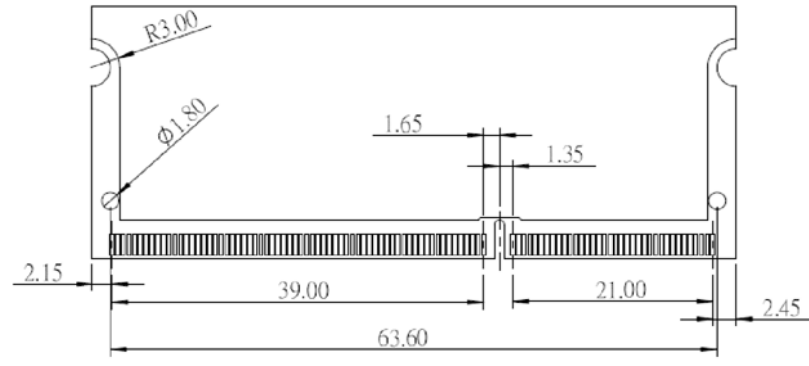
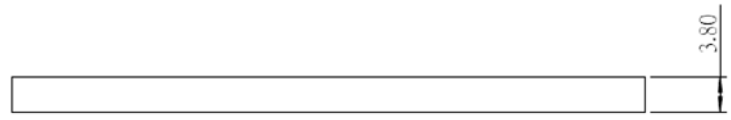
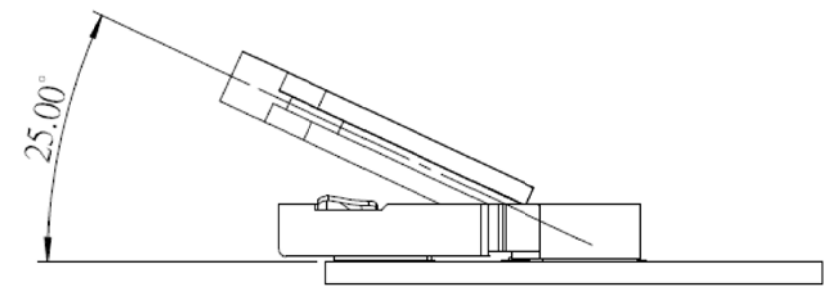
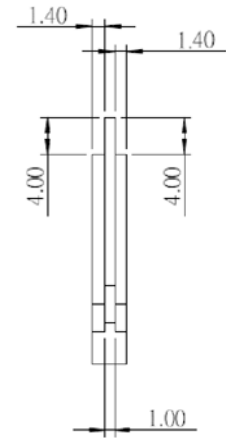
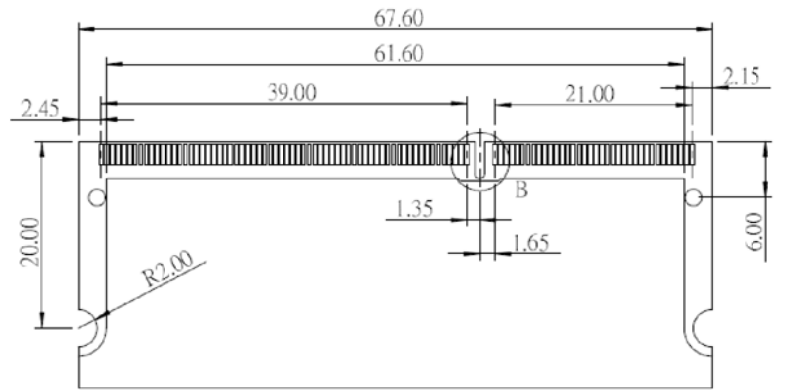


2μ"	J16-0010-01
MIN. GOLD THICKNESS	PART NUMBER

TOLERANCES UNLESS OTHERWISE SPECIFIED:		DWN JOHN 16JUL2010		HAOGUO XING YE SHARE CO.,LTD.	
0 PLC ± 0.3	CHK MARKS 16JUL2010	APVD BEST 16JUL2010			
1 PLC ± 0.2	PRODUCT SPEC	NAME			
2 PLC ± 0.1		APPLICATION SPEC			
3 PLC ± 0.05		SIZE		DRAWING NO	
4 PLC ± -		WEIGHT		RESTRICTED TO	
ANGLES ± 3'		DIMENSIONS: MM		A3 J16-0010	
MATERIAL SEE NOTE		CUSTOMER DRAWING		SCALE	
FINISH SEE NOTE		SHEET 1 OF 3		REV 1	
PROJECTION		DIMENSIONS: MM		SCALE	

DDR SO DIMM 204P

REV.	DESCRIPTION	DATE	DWN	APVD
1	PRELIMINARY	16JUL10	JC	BC



TOLERANCES UNLESS OTHERWISE SPECIFIED: 0 PLC ± 0.3 1 PLC ± 0.2 2 PLC ± 0.1 3 PLC ± 0.05 4 PLC ± - ANGLES ± 3°	DWN	16JUL2010	HAOGUO XING YE SHARE CO.,LTD.			
	CHK	JOHN			16JUL2010	
	MATERIAL	MARKS	16JUL2010	NAME		
	FINISH	APVD	BEST			
PROJECTION	PRODUCT SPEC	APPLICATION SPEC	DDR SO DIMM 204P			
SEE NOTE	WEIGHT	- GRAMS	SIZE	DRAWING NO	RESTRICTED TO	
SEE NOTE	DIMENSIONS:	MM	A3	J16-0010	-	
			CUSTOMER DRAWING	SCALE	SHEET 2 OF 3	REV 1

