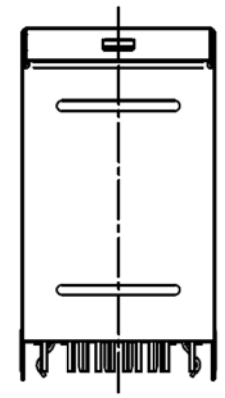
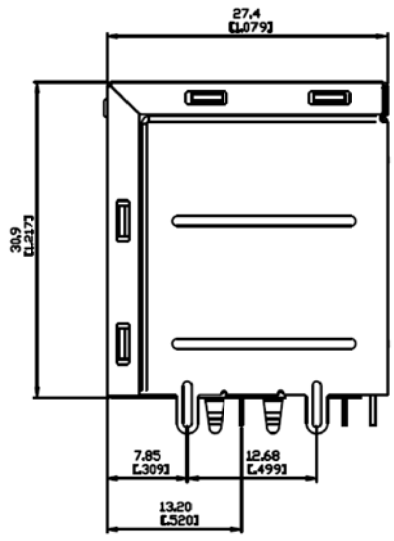
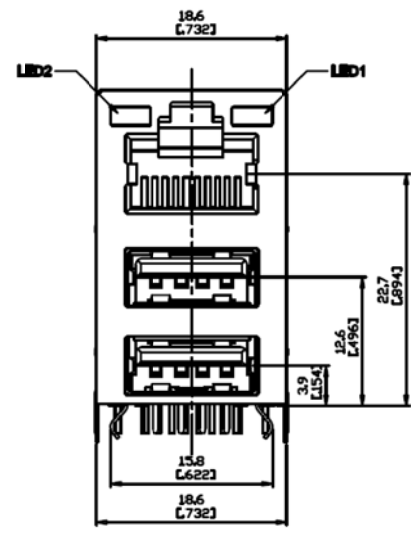


REV.	DESCRIPTION	DATE	DWN	APVD
1	PRELIMINARY	02NOV09	JC	BC

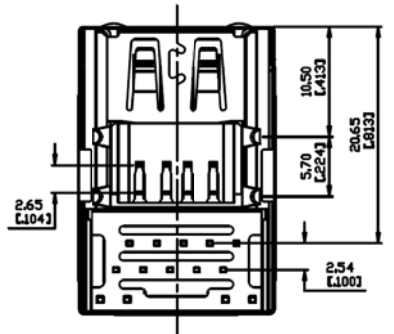


Electrical Characteristics :

- Insulation Resistance : 500MΩ Min.
- Contact Resistance : 50mΩ Max.
- Withstand Voltage : 500 VAC 1 minute.
- Current Rating : 1.5A

Material:

Housing : Thermoplastic UL94V-0
 Contact : Selective Gold Plating
 Terminal: Phosphor Bronze Plated With Gold And Tin In Solder Area.
 Shielded : SUS
 Shielded Cover : Brass , Nickel Plating.

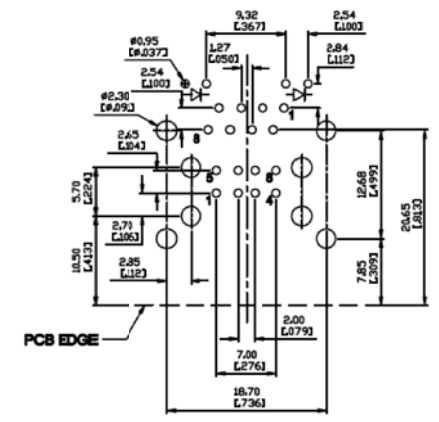


Gold Plated

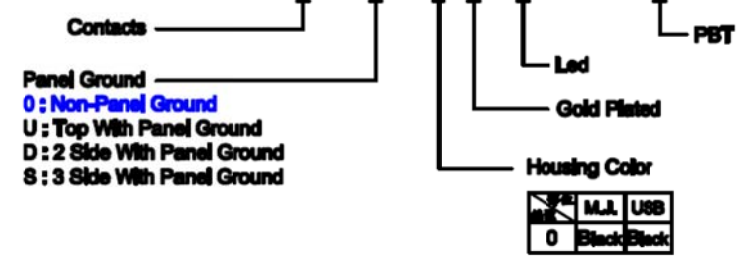
#LED	M.J.	USB
0	3u"±1u"	1.1 (3u"±1u")
1	6u"±1u"	
2	15u"± 5%	
3	30u"± 5%	
4	50u"± 5%	2.0 (30u"± 5%)
5	3u"±1u"	
6	6u"±1u"	
7	15u"± 5%	
8	30u"± 5%	
9	50u"± 5%	

LED Color Options Table

LED Color Options		
LED 2 (Left)	LED 1 (Right)	LED DASH OPTION
No LED	No LED	0
Yellow	Green	1
No LED	Green	2
Yellow	No LED	3
Green	Yellow	4
Green	Green	5
Yellow	Yellow	6
Orange/Green	Orange/Green	7
Yellow/Green	Yellow/Green	8
Orange/Green	Yellow	9



PART NO : S U A J - 2 8 0 0 - 0 * * 0 0 - B



SUGGESTED PCB LAYOUT TOP VIEW

TOLERANCES UNLESS OTHERWISE SPECIFIED: 0 PLC ± - 1 PLC ± 0.25 2 PLC ± 0.15 3 PLC ± 0.075 4 PLC ± - ANGLES ± 3°	DWN JOHN_CHANG 02NOV2009 CHK MARKS_CHEN 02NOV2009 APVD BEST_CHANG 02NOV2009 PRODUCT SPEC	HAOGUO XING YE SHARE CO.,LTD.	
MATERIAL SEE NOTE	APPLICATION SPEC	NAME RJ45/DUAL USB combo	
FINISH SEE NOTE	WEIGHT - GRAMS	SIZE A3	DRAWING NO -
PROJECTION	DIMENSIONS: MM	CUSTOMER DRAWING	RESTRICTED TO -
		SCALE -	SHEET 1 OF 1
		REV 1	