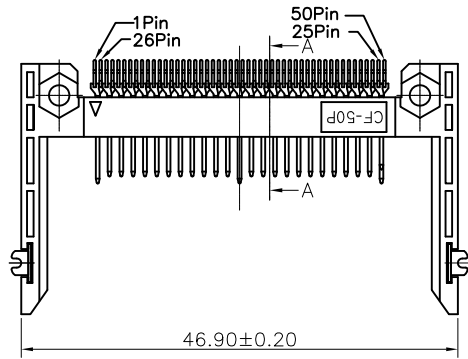


REV.	DESCRIPTION	DATE	DWN	APVD
1	PRELIMINARY	04NOV09	JC	BC

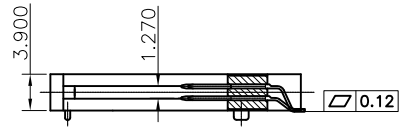
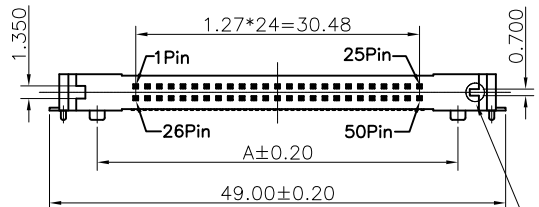


	Pin type	Dimension	Pin No.
B	POWER	5.00i±0.10	1,13,38,50
C	GENERAL	4.25i±0.10	OTHER
D	DETECT	3.50i±0.10	25,26

Dimension "A"
38.74
40.16

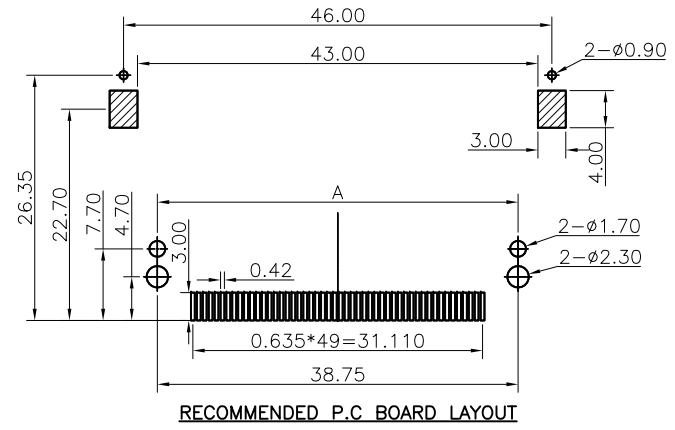
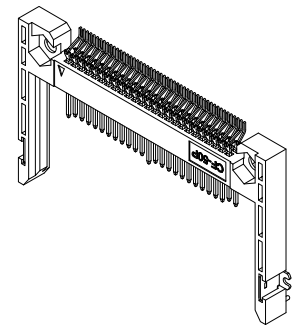
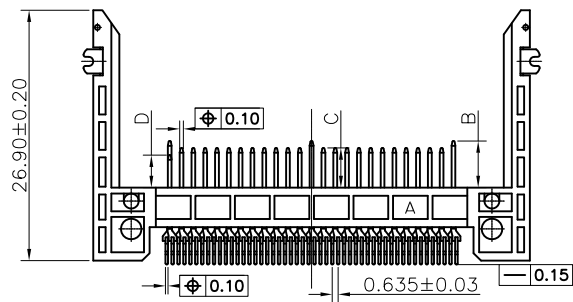
NOTES:
 Specifications
 Current rating:0.5 Amp .
 Voltage:100V AC/DC Max.
 Dielectric Withstanding:500VAC for one minute.
 Contact Resistance:40mΩ (MAX).
 Insulation Resistance:1000MΩ (MIN).
 Operating Temperature:-55℃+85℃.
 Materials:
 Insulator:LCP + 30%GF.
 Flammability Rating:UL 94V-0.
 Contacts:Brass.
 Contact Plating Gold Standard:1μ";3μ";5μ";15μ";30μ".
 PART NO.

Series No. 34 2-50 1 X 0 X XX 01
 Product Kind. _____
 Pin Number. _____
 Type:1=Long 2=Short. _____
 Sort:1=38.74 Brord Up. _____
 2=38.74 Brord Down _____
 3=40.16 Brord Up. _____
 4=40.16 Brord Down _____
 No Buckle.
 Color:
 01=White 02=Black
 12=Beige 13=Pink
 Plate:A=1U" B=3U"
 C=5U" D=10U"
 E=15U" F=30U"
 Blac Up:
 0=General -----
 4=2.0 -----



SECTION:A-A

板上板下區分處
 區分方法:膠芯柱朝下(端子SMT面朝下),標示
 處尺寸小者為板上,大則為板下.



RECOMMENDED P.C BOARD LAYOUT

TOLERANCES UNLESS OTHERWISE SPECIFIED:		DWN	04NOV2009	HAOGUO XING YE SHARE CO.,LTD.	
0 PLC	± -	CHK	04NOV2009		
1 PLC	± 0.3	MARKS_CHEN		NAME	
2 PLC	± 0.15	APVD			
3 PLC	± 0.1	BEST_CHANG		C.F CARD 50P 長柄 成品 L:26.90 (SY)	
4 PLC	± -	PRODUCT SPEC			
ANGLES	± 3'	APPLICATION SPEC		SIZE	
MATERIAL SEE NOTE		WEIGHT			
FINISH SEE NOTE		DIMENSIONS:		A3 -	
PROJECTION		MM			
				SCALE -	
				REV 1	