

REV.	DESCRIPTION	DATE	DWN	APVD
1	PRELIMINARY	13NOV09	JC	BC

MATERIAL:
HOUSING: THERMOPLASTIC UL 94V-0
CONTACT: COPPER ALLOY
SHELL: STEEL

SPECIFICATIONS
CONTACT RESISTANCE: 30m OHMS
DIELECTRIC WITHSTANDING VOLTAGE: 500V AC MIN.
INSULATION RESISTANCE: 1000M OHMS MIN.
TEMPERATURE RATING: -55°C TO +105°C

PART NO. DESCRIPTION

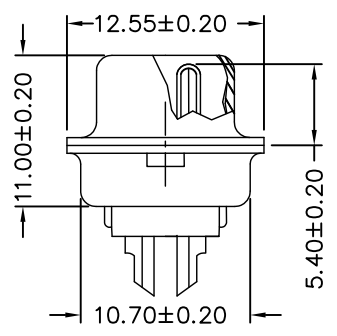
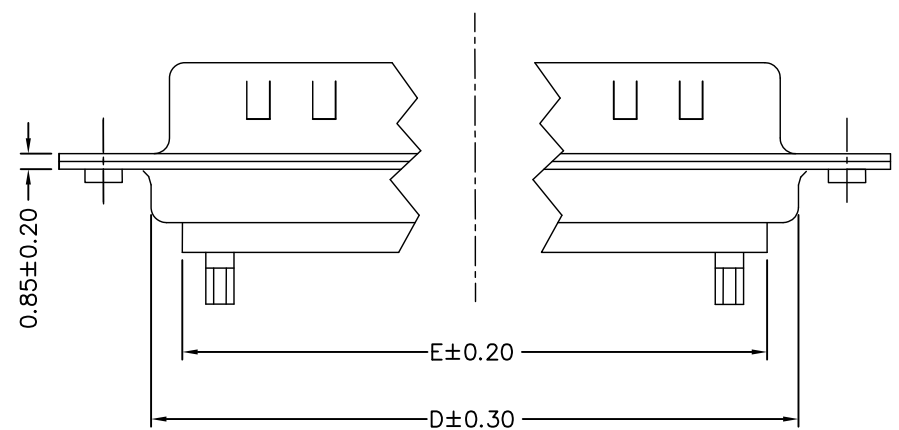
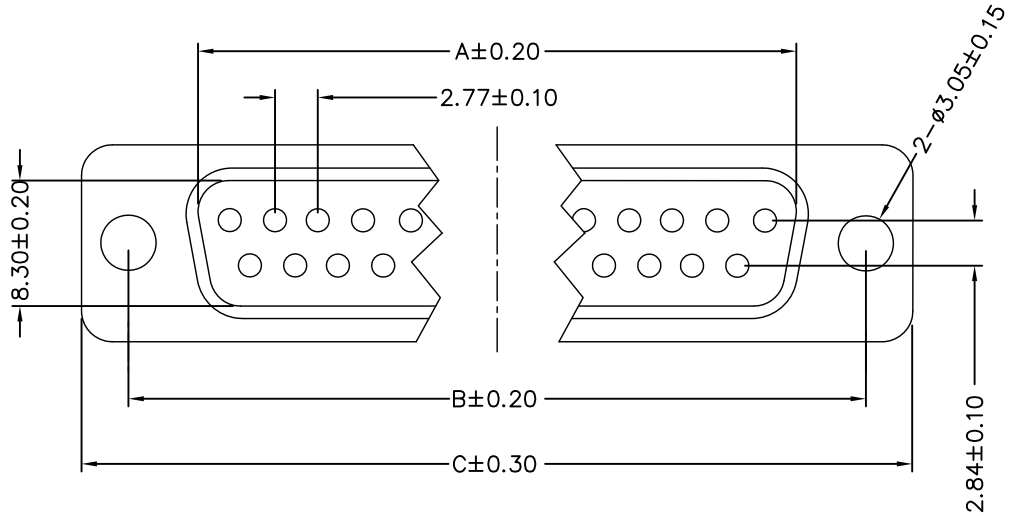
DB 1 X A XX X - X X - X X - 04

SHELL PLATED
N: NICKEL
S: Tin
1: FRONT: Ni REAR: Tin

PIN NO.
09: 9PIN 25: 25PIN
15: 15PIN 37: 37PIN

CONTACT PLATED
1: G/F
G: GOLD

0: NO MARK
1: KXCONN
PACKING CODE
0: TRAY
COLOR
0: WHITE
1: BLACK
HOUSING MATERIAL
0: PBT
3: PA46



POS.	DIM A	DIM B	DIM C	DIM D	DIM E
9	16.92	24.99	30.83	19.28	15.65
15	25.25	33.32	39.25	27.65	24.40
25	38.96	47.04	53.04	41.30	38.00
37	55.42	63.50	69.45	57.40	54.50

TOLERANCES UNLESS OTHERWISE SPECIFIED: 0 PLC ± - 1 PLC ± 0.35 2 PLC ± 0.25 3 PLC ± 0.1 4 PLC ± - ANGLES ± 3°	DWN	13NOV2009	HAOGUO XING YE SHARE CO.,LTD.		
	CHK	13NOV2009			
	APVD	13NOV2009	D-SUB CONNECTOR		
	PRODUCT SPEC				
MATERIAL	SEE NOTE	APPLICATION SPEC	SIZE	DRAWING NO	RESTRICTED TO
FINISH	SEE NOTE	WEIGHT	A3 -		-
PROJECTION		DIMENSIONS:	MM	CUSTOMER DRAWING	SCALE - SHEET 1 of 1 REV 1