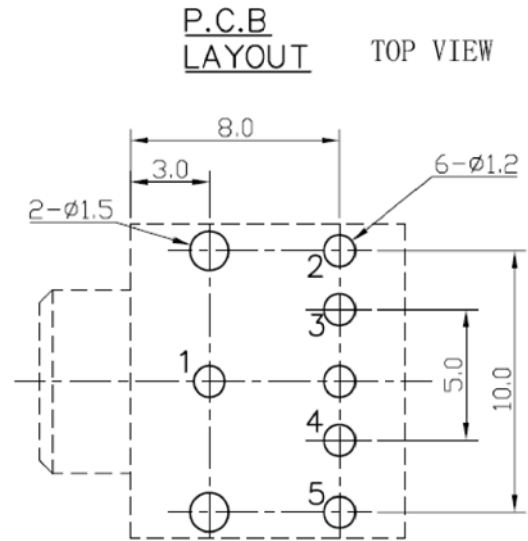
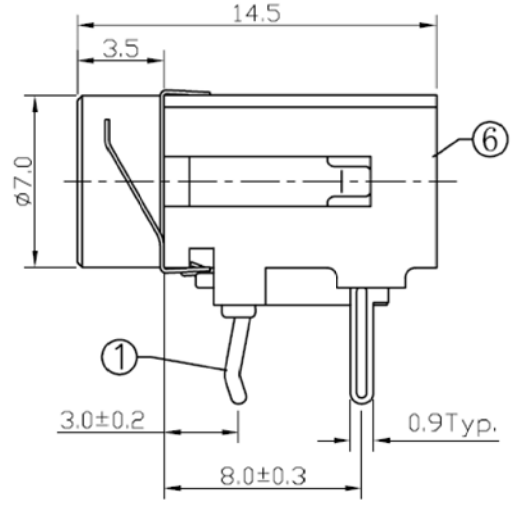
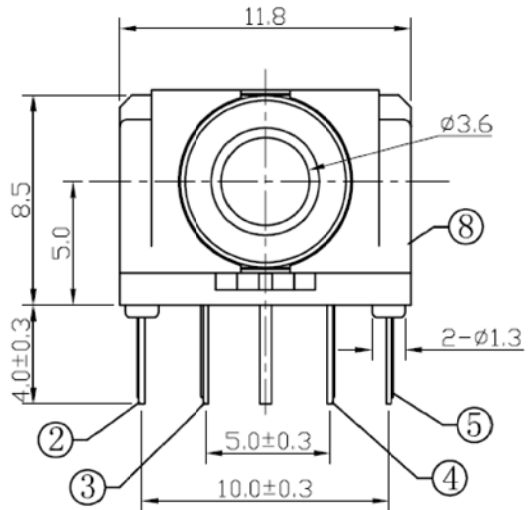
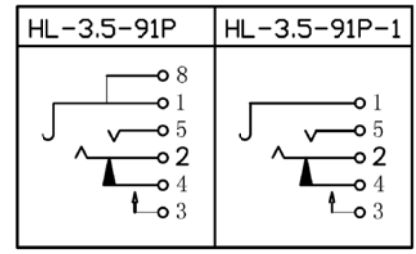


REV.	DESCRIPTION	DATE	DWN	APVD
1	PRELIMINARY	18NOV09	JC	BC



NO.	DESCRIPTION	QTY	MATERIAL	PLATING
8	SPRING PIECE	1	SUS301	
6	HOUSING	1	PBT	
5	SPRING PIECE	1	BRONZE	Ag-Plating
4	CONTACT FOOT	1	SUS301	Ag-Plating
3	CONTACT FOOT	1	BRASS	Ag-Plating
2	SPRING PIECE	1	SUS301	Ag-Plating
1	CONTACT FOOT	1	BRASS	Ag-Plating

SCHEMATIC



TH-3.5-091P
PART NUMBER

SPECIFICATION

- Rating : DC 30V 0.5A;
- Contact resistance: $\leq 0.03 \Omega$;
- Insulation resistance: $\geq 100M \Omega$ (DC250V);
- Withstand voltage: 500VAC ;
- Insertion and extraction force: 3-20N;
- life test: 5,000 cycles.

TOLERANCES UNLESS OTHERWISE SPECIFIED: 0 PLC ± - 1 PLC ± 0.15 2 PLC ± 0.15 3 PLC ± 0.15 4 PLC ± - ANGLES ± 1.5°	DWN JOHN_CHANG 18NOV2009	HAOGUO XING YE SHARE CO.,LTD.		
	CHK MARKS_CHEN 18NOV2009			
MATERIAL SEE NOTE	APVD BEST_CHANG 18NOV2009	NAME	3.5PHONE JACK	
FINISH SEE NOTE	APPLICATION SPEC	SIZE A3	DRAWING NO -	RESTRICTED TO -
PROJECTION 	WEIGHT - GRAMS	CUSTOMER DRAWING	SCALE -	SHEET 1 OF 1 REV 1